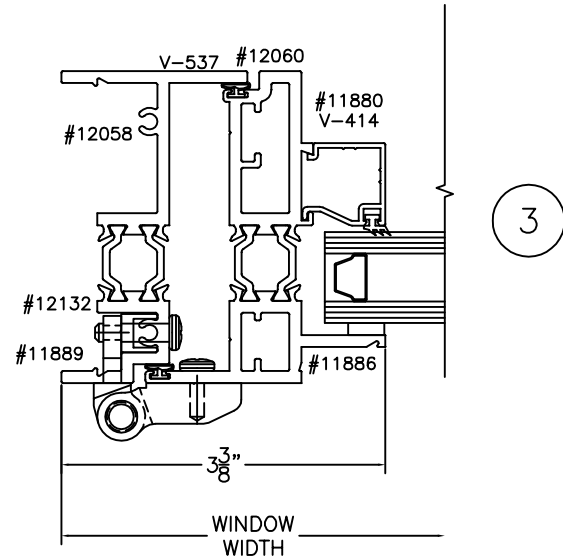
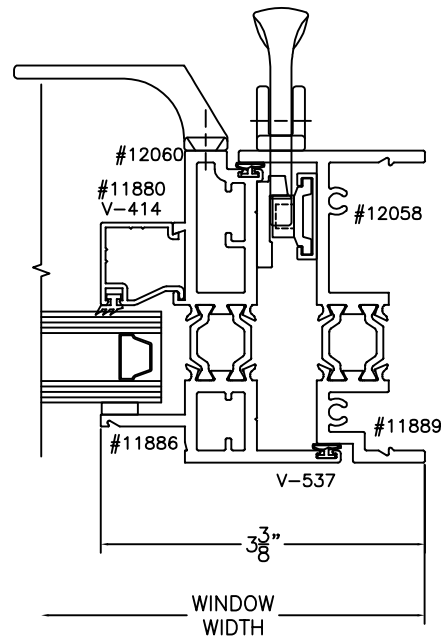


1

2



3

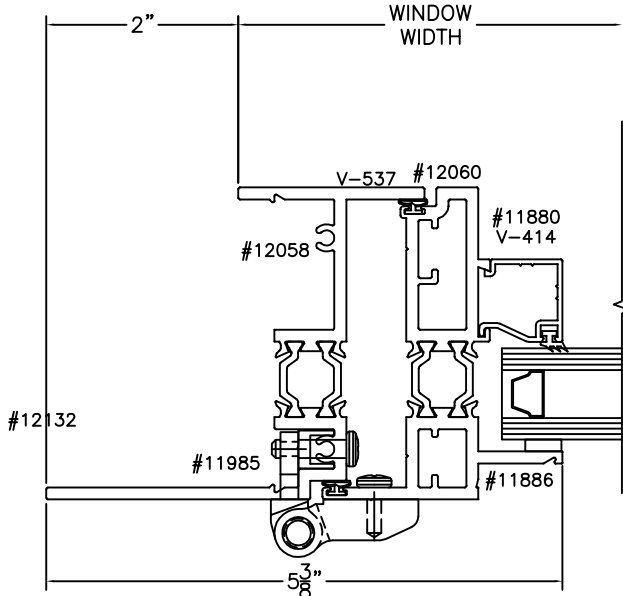
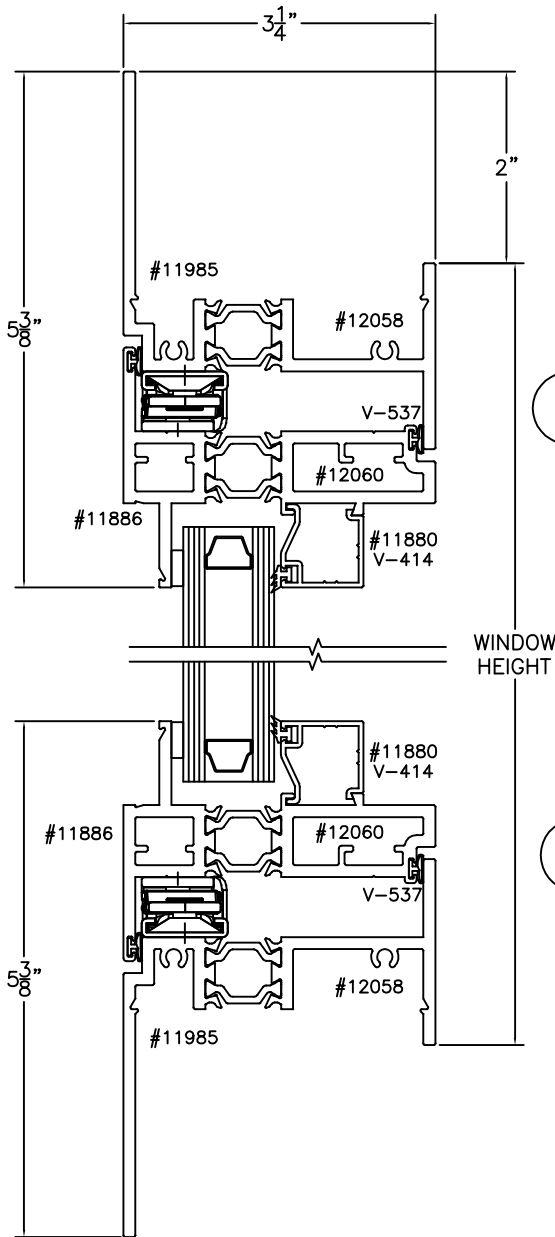
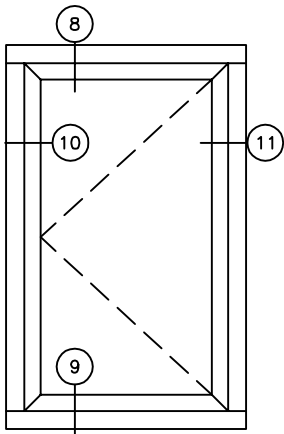


4

ALL SEASONS
 ARCHITECTURAL WINDOWS MFG.
 1293 N. Harvey Mitchell Pkwy.
 Phone: (979) 823-6557
 Fax: (979) 823-1005

IMPACT:	NO	COMPATIBLE SERIES:	E3250FF	FAMILY:	E3250	SCALE:	1:2	REVISION:	B
BLAST:	NO	TDI NO:	WIN-2015	DESCRIPTION:	E3250 CASEMENT OUT SWING CROSS SECTIONS				
FLORIDA NO:	FL17123	THIS DRAWING CONTAINS CONFIDENTIAL INFORMATION WHICH IS THE PROPERTY OF ALL SEASONS. RECEIPT OR POSSESSION OF REPRODUCTIONS OF THIS DRAWING OR POSSESSION OF REPRODUCTIONS OF THIS DRAWING DOES NOT CONFER ANY RIGHTS OR LICENSE TO USE INFORMATION CONTAINED HEREIN WITHOUT THE WRITTEN CONSENT OF ALL SEASONS.							
		FLORIDA NO:	FL17123	DRAWN BY:	T.Jobb	DATE DRAWN:	1/24/14	SHEET SIZE:	A

SHEET NUMBER
 1
 OF
 3

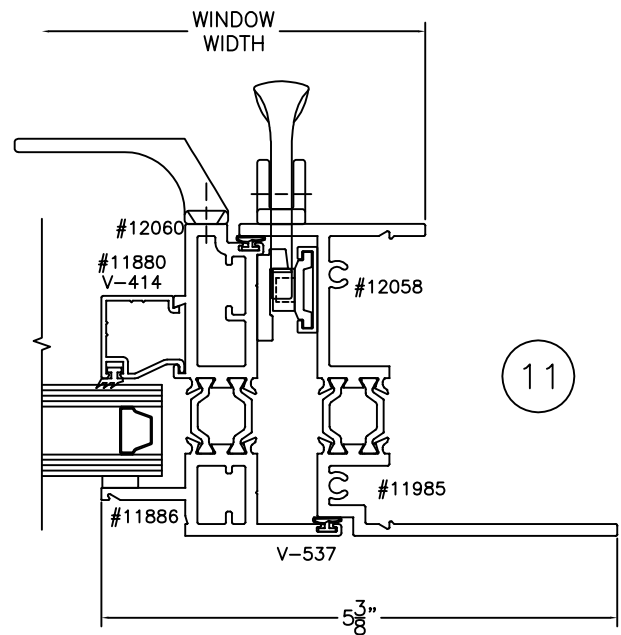


8

9

10

11



ALL SEASONS
 ARCHITECTURAL WINDOWS MFG.
 1293 N. Harvey Mitchell Pkwy.
 Phone: (979) 823-6557
 Fax: (979) 823-1005

IMPACT:	NO	COMPATIBLE SERIES:	E3250	SCALE:	1:2	REVISION:	B	SHEET NUMBER	
BLAST:	NO		E3250FF	DESCRIPTION:					
TDI NO:	WIN-2015		E3250PO	E3250 CASEMENT OUT SWING FRONT FLANGE CROSS SECTIONS				2 OF 3	
FLORIDA NO:				THIS DRAWING CONTAINS CONFIDENTIAL INFORMATION WHICH IS THE PROPERTY OF ALL SEASONS. RECEIPT OR POSSESSION OF REPRODUCTIONS OF THIS DRAWING OR POSSESSION OF REPRODUCTIONS OF THIS DRAWING DOES NOT CONFER ANY RIGHTS OR LICENSE TO USE INFORMATION CONTAINED HEREIN WITHOUT THE WRITTEN CONSENT OF ALL SEASONS.					
	FL17123			DRAWN BY:	T.Jobb	DATE DRAWN:	1/24/14		SHEET SIZE:

