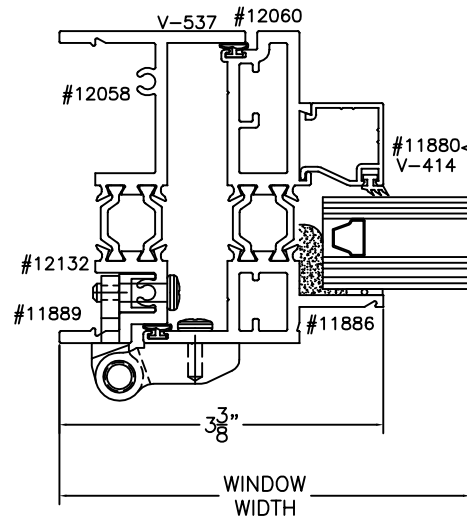
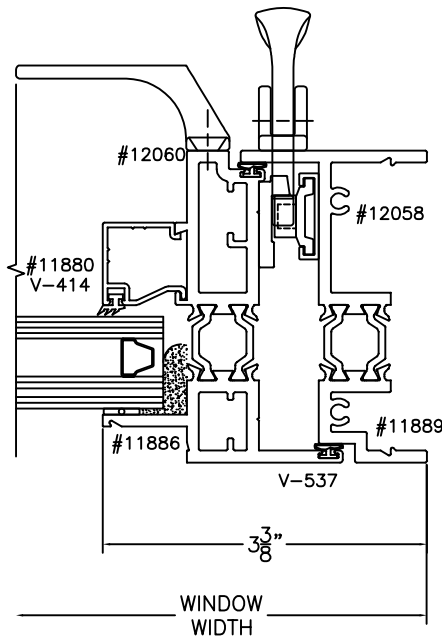


1



3



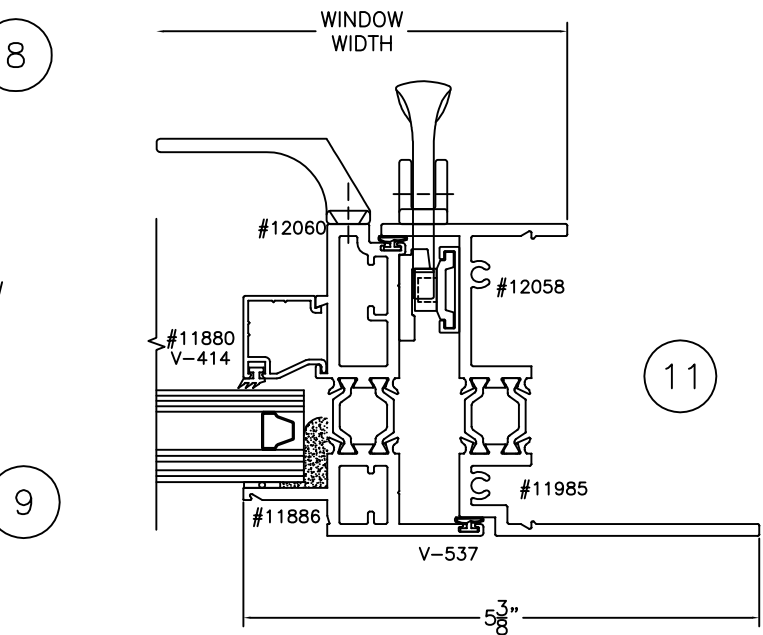
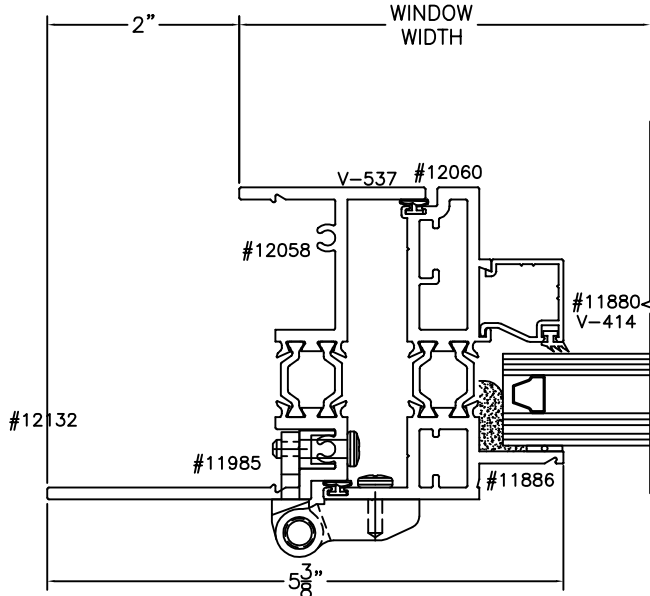
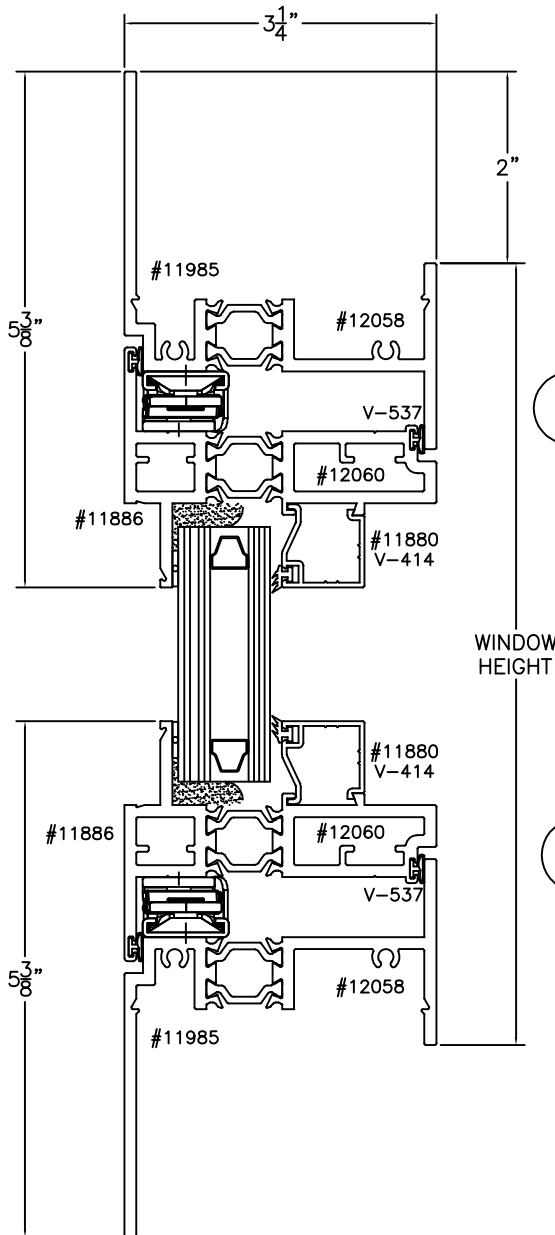
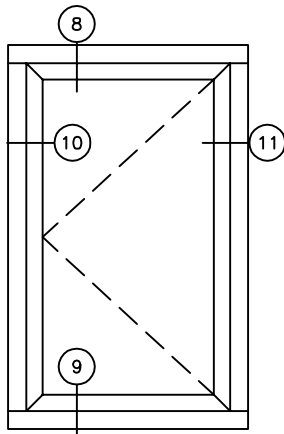
4

2

ALL SEASONS
 ARCHITECTURAL WINDOWS MFG.
 1293 N. Harvey Mitchell Pkwy.
 Phone: (979) 823-6557
 Fax: (979) 823-1005

IMPACT:	YES	COMPATIBLE SERIES:	FAMILY: E3250	SCALE: 1:2	REVISION: A	SHEET NUMBER
BLAST:	NO	E3250FF	DESCRIPTION: E3250 CASEMENT OUT SWING CROSS SECTIONS			
TDI NO:		E3250PO				THIS DRAWING CONTAINS CONFIDENTIAL INFORMATION WHICH IS THE PROPERTY OF ALL SEASONS. RECEIPT OR POSSESSION OF REPRODUCTIONS OF THIS DRAWING OR POSSESSION OF REPRODUCTIONS OF THIS DRAWING DOES NOT CONFER ANY RIGHTS OR LICENSE TO USE INFORMATION CONTAINED HEREIN WITHOUT THE WRITTEN CONSENT OF ALL SEASONS.
FLORIDA NO:						
			DRAWN BY: T.Jobb	DATE DRAWN: 1/24/14	SHEET SIZE: A	

1
OF
3

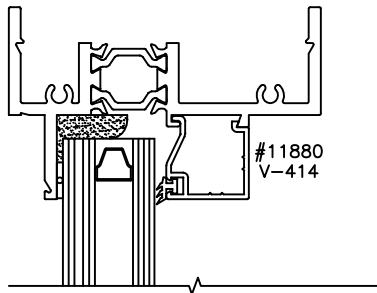


ALL SEASONS
 ARCHITECTURAL WINDOWS MFG.
 1293 N. Harvey Mitchell Pkwy.
 Phone: (979) 823-6557
 Fax: (979) 823-1005

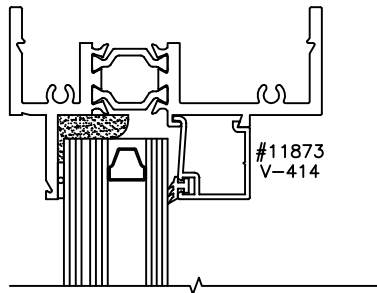
IMPACT:	YES	COMPATIBLE SERIES:	E3250	SCALE:	1:2	REVISION:	A	SHEET NUMBER	
BLAST:	NO		E3250FF	DESCRIPTION: E3250 CASEMENT OUT SWING FRONT FLANGE CROSS SECTIONS					
TDI NO:			E3250PO					THIS DRAWING CONTAINS CONFIDENTIAL INFORMATION WHICH IS THE PROPERTY OF ALL SEASONS. RECEIPT OR POSSESSION OF REPRODUCTIONS OF THIS DRAWING OR POSSESSION OF REPRODUCTIONS OF THIS DRAWING DOES NOT CONFER ANY RIGHTS OR LICENSE TO USE INFORMATION CONTAINED HEREIN WITHOUT THE WRITTEN CONSENT OF ALL SEASONS.	
FLORIDA NO:				DRAWN BY:	T.Jobb	DATE DRAWN:	1/24/14		

2
OF
3

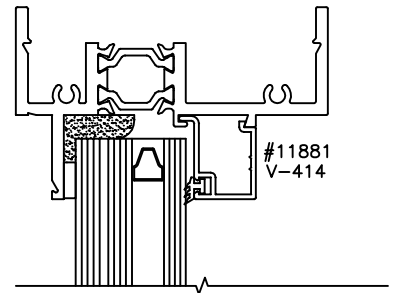
5/16" ANNEALED LAMI
 1/8" - 0.090 DUPONT SGP - 1/8"
 WITH 1/4" ANNEALED INBOARD



7/16" ANNEALED LAMI
 3/16" - 0.090 DUPONT SGP - 3/16"
 WITH 1/4" ANNEALED INBOARD



9/16" ANNEALED LAMI
 1/4" - 0.090 DUPONT SGP - 1/4"
 WITH 1/4" ANNEALED INBOARD



ALL SEASONS
 ARCHITECTURAL WINDOWS MFG.
 1293 N. Harvey Mitchell Pkwy.
 Phone: (979) 823-6557
 Fax: (979) 823-1005

IMPACT:	YES	COMPATIBLE SERIES:	FAMILY: E3250	SCALE:	1:2	REVISION:	A	SHEET NUMBER
BLAST:	NO	E3250FF	DESCRIPTION: E3250 CASEMENT OUT SWING LAMINATED GLAZING DETAILS					
TDI NO:		E3250PO						THIS DRAWING CONTAINS CONFIDENTIAL INFORMATION WHICH IS THE PROPERTY OF ALL SEASONS. RECEIPT OR POSSESSION OF REPRODUCTIONS OF THIS DRAWING OR POSSESSION OF REPRODUCTIONS OF THIS DRAWING DOES NOT CONFER ANY RIGHTS OR LICENSE TO USE INFORMATION CONTAINED HEREIN WITHOUT THE WRITTEN CONSENT OF ALL SEASONS.
FLORIDA NO:								