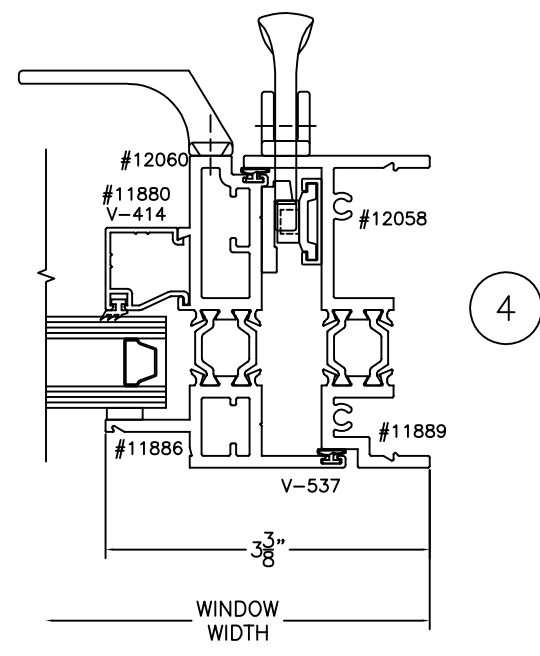
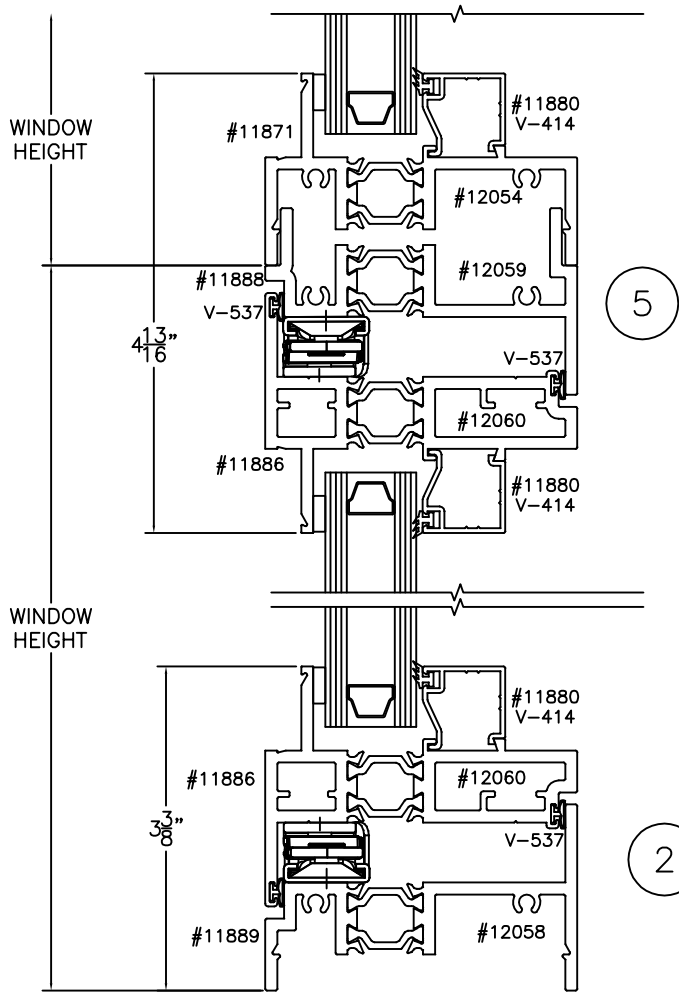
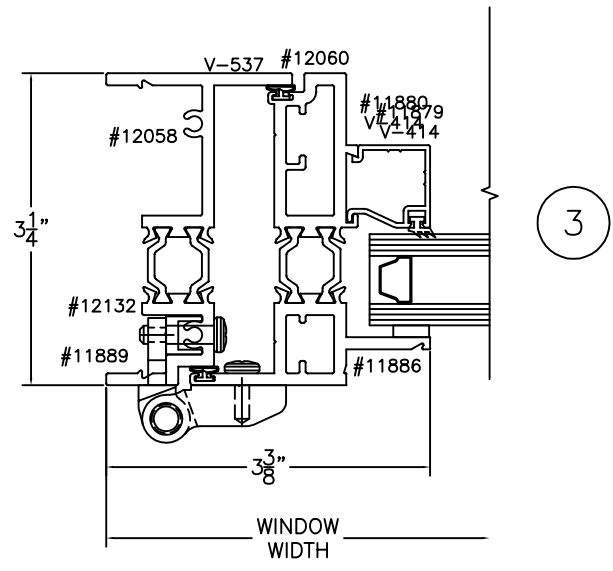
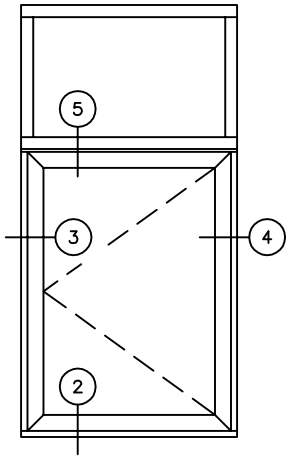


ALL SEASONS
 ARCHITECTURAL WINDOWS MFG.
 1293 N. Harvey Mitchell Pkwy.
 Phone: (979) 823-6557
 Fax: (979) 823-1005

IMPACT:	YES	COMPATIBLE SERIES:	
BLAST:	NO	E3250FF	
TDI NO:	WIN-2015	E3250PO	
FLORIDA NO:			
FL17123			

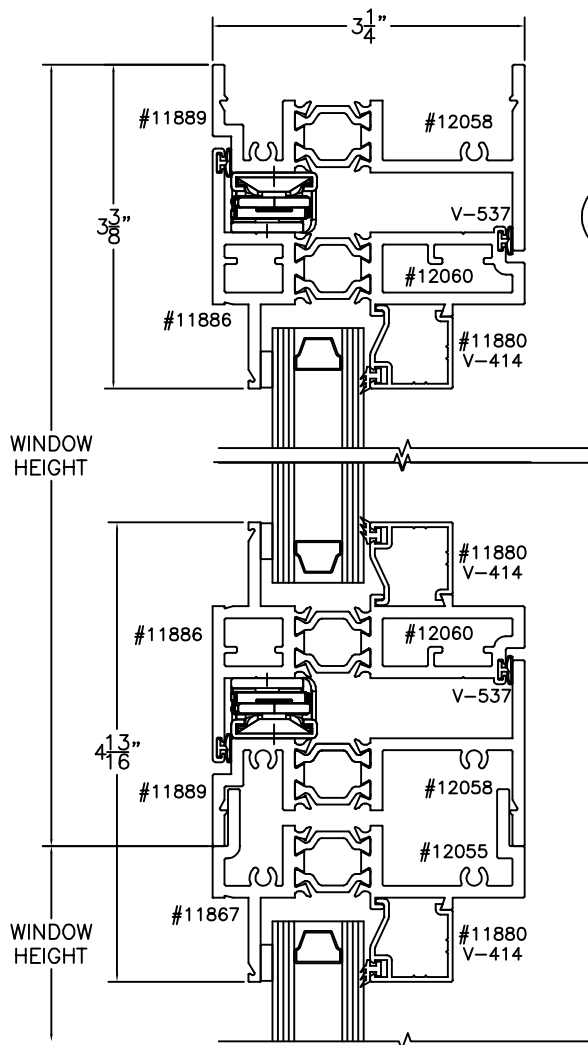
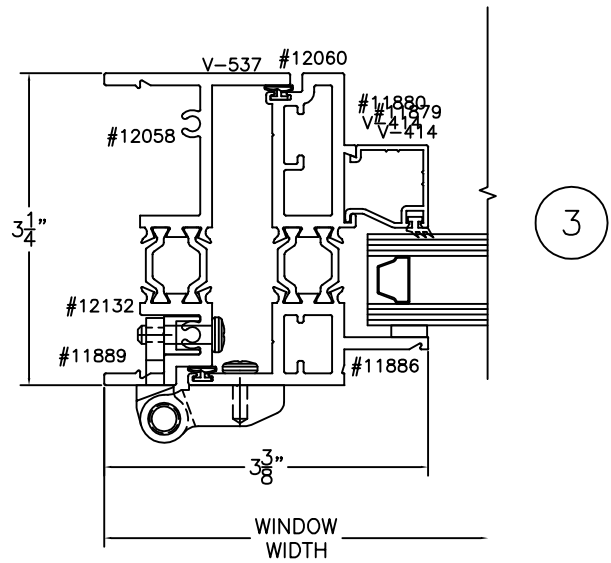
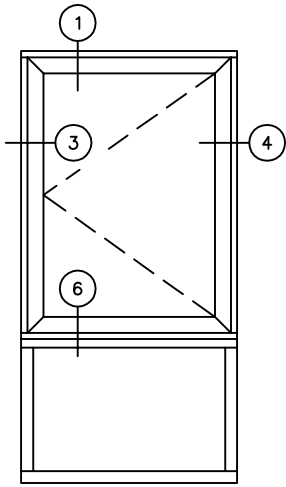
FAMILY:	E3250	SCALE:	1:2	REVISION:	B
DESCRIPTION:	E3250 CASEMENT OUT SWING CROSS SECTIONS				
THIS DRAWING CONTAINS CONFIDENTIAL INFORMATION WHICH IS THE PROPERTY OF ALL SEASONS. RECEIPT OR POSSESSION OF REPRODUCTIONS OF THIS DRAWING OR POSSESSION OF REPRODUCTIONS OF THIS DRAWING DOES NOT CONFER ANY RIGHTS OR LICENSE TO USE INFORMATION CONTAINED HEREIN WITHOUT THE WRITTEN CONSENT OF ALL SEASONS.					
DRAWN BY:	T.Jobb	DATE DRAWN:	1/24/14	SHEET SIZE:	A

SHEET NUMBER
 1
 OF
 7

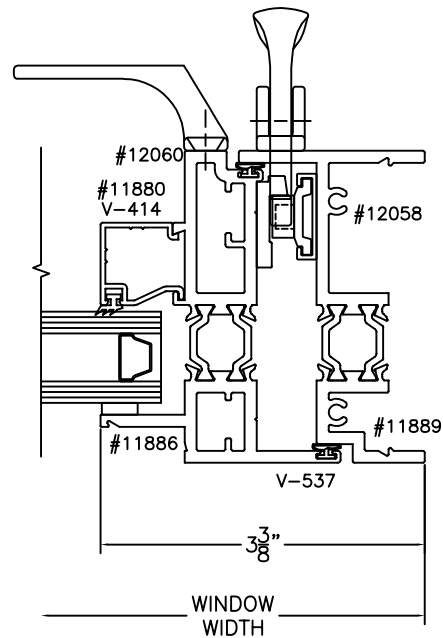


ALL SEASONS
 ARCHITECTURAL WINDOWS MFG.
 1293 N. Harvey Mitchell Pkwy.
 Phone: (979) 823-6557
 Fax: (979) 823-1005

IMPACT:	YES	COMPATIBLE SERIES:	FAMILY:	E3250	SCALE:	1:2	REVISION:	B	SHEET NUMBER
BLAST:	NO	E3250FF	DESCRIPTION:	E3250 CASEMENT OUT SWING DETAILS, FIXED OVER CASEMENT					
TDI NO:	WIN-2015	E3250PO	THIS DRAWING CONTAINS CONFIDENTIAL INFORMATION WHICH IS THE PROPERTY OF ALL SEASONS. RECEIPT OR POSSESSION OF REPRODUCTIONS OF THIS DRAWING OR POSSESSION OF REPRODUCTIONS OF THIS DRAWING DOES NOT CONFER ANY RIGHTS OR LICENSE TO USE INFORMATION CONTAINED HEREIN WITHOUT THE WRITTEN CONSENT OF ALL SEASONS.						
FLORIDA NO:	FL17123								
			DRAWN BY:	T.JOBB	DATE DRAWN:	1/24/14	SHEET SIZE:	A	2 OF 7



1

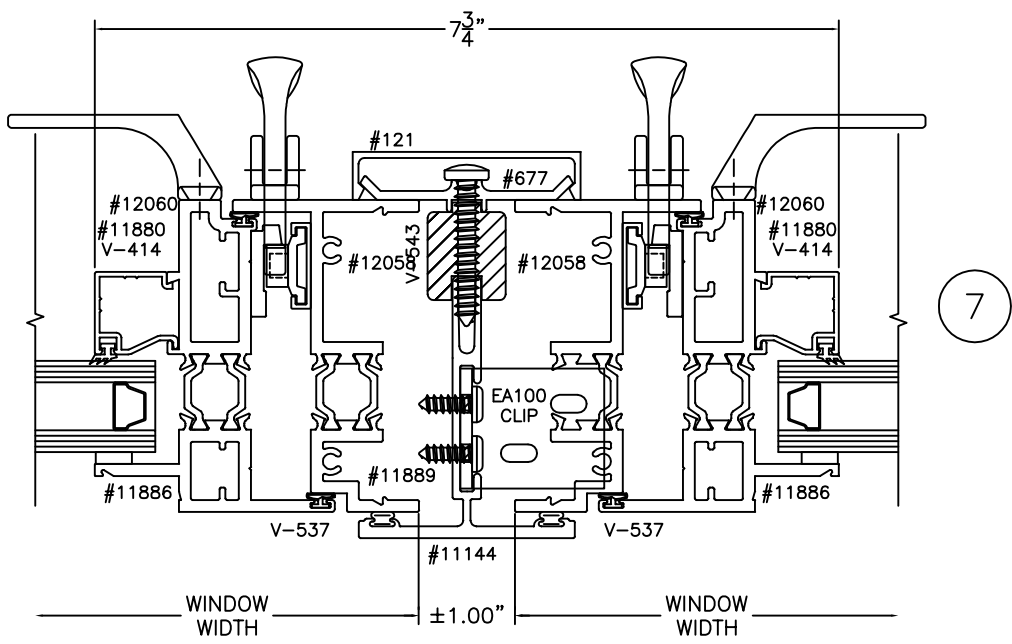
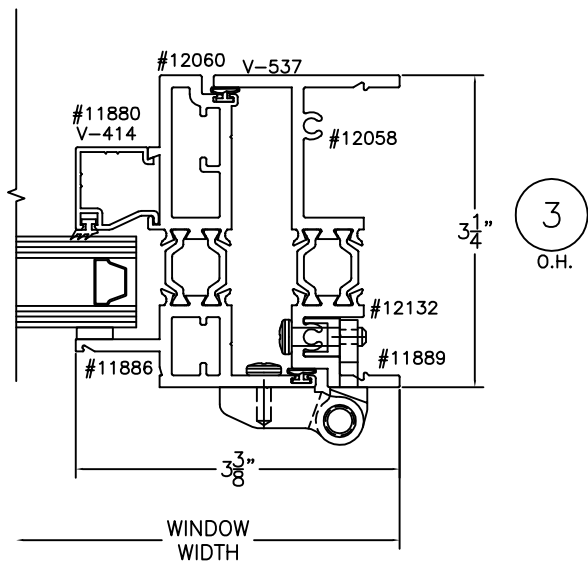
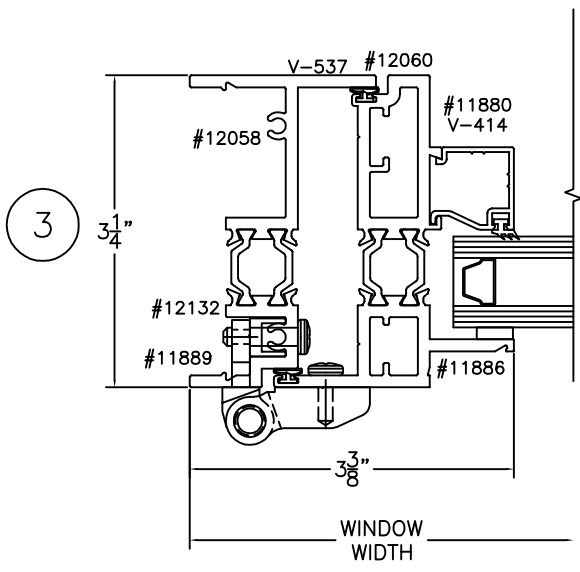
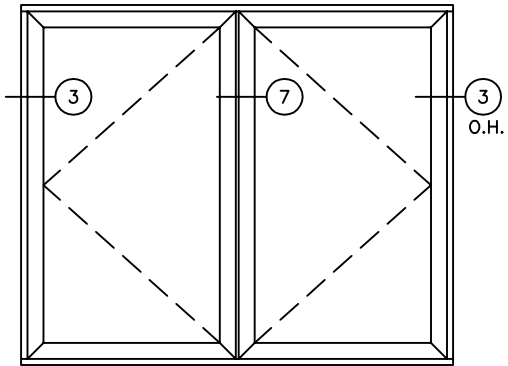


4

6

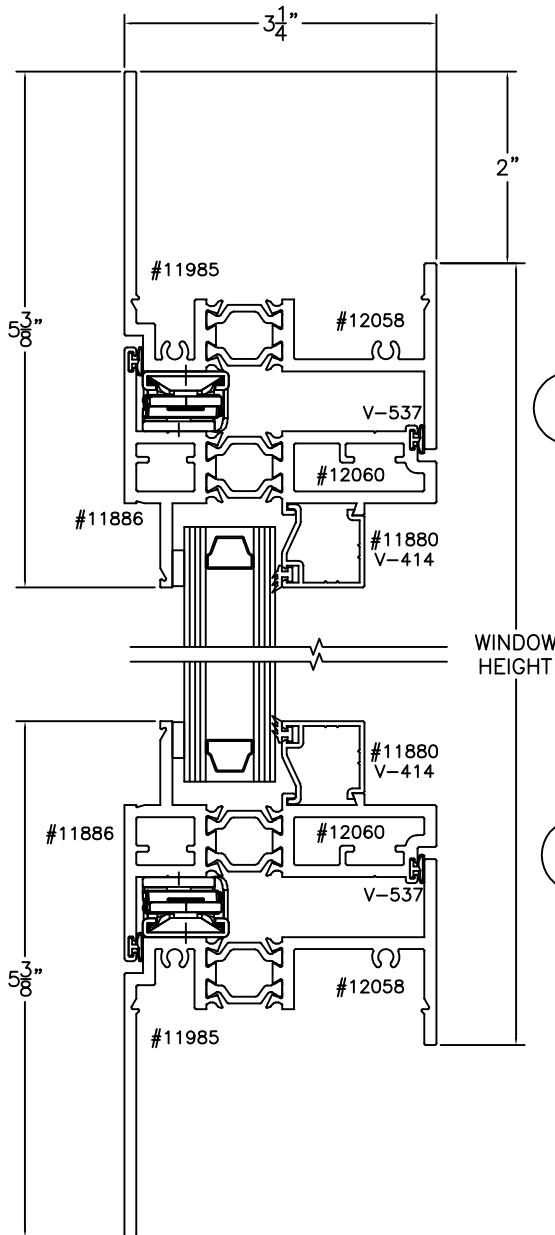
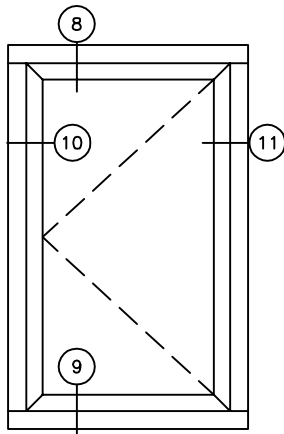
ALL SEASONS
 ARCHITECTURAL WINDOWS MFG.
 1293 N. Harvey Mitchell Pkwy.
 Phone: (979) 823-6557
 Fax: (979) 823-1005

IMPACT:	YES	COMPATIBLE SERIES:	FAMILY:	E3250	SCALE:	1:2	REVISION:	B	SHEET NUMBER
BLAST:	NO	E3250FF	DESCRIPTION:	E3250 CASEMENT OUT SWING DETAILS, CASEMENT OVER FIXED					
TDI NO:	WIN-2015	E3250PO							
FLORIDA NO:			THIS DRAWING CONTAINS CONFIDENTIAL INFORMATION WHICH IS THE PROPERTY OF ALL SEASONS. RECEIPT OR POSSESSION OF REPRODUCTIONS OF THIS DRAWING OR POSSESSION OF REPRODUCTIONS OF THIS DRAWING DOES NOT CONFER ANY RIGHTS OR LICENSE TO USE INFORMATION CONTAINED HEREIN WITHOUT THE WRITTEN CONSENT OF ALL SEASONS.						
FL17123									
			DRAWN BY:	T.JOBB	DATE DRAWN:	1/24/14	SHEET SIZE:	A	3 OF 7



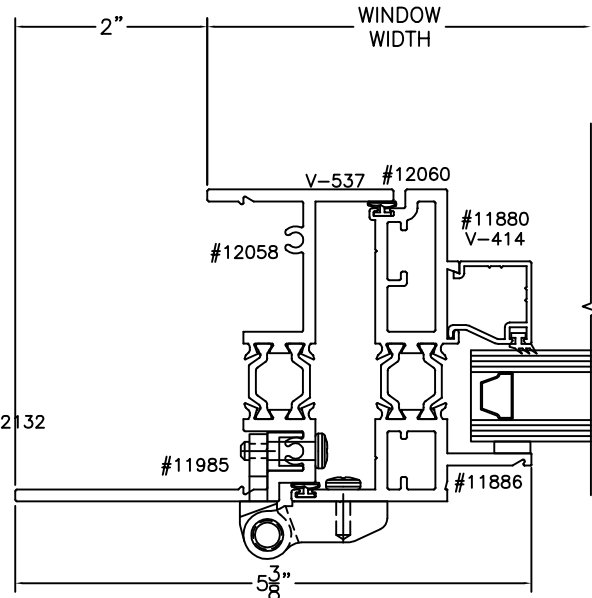
ALL SEASONS
 ARCHITECTURAL WINDOWS MFG.
 1293 N. Harvey Mitchell Pkwy.
 Phone: (979) 823-6557
 Fax: (979) 823-1005

IMPACT:	YES	COMPATIBLE SERIES:	FAMILY:	E3250	SCALE:	1:2	REVISION:	B	SHEET NUMBER						
BLAST:	NO	E3250FF	DESCRIPTION:	E3250 CASEMENT OUT SWING MULLING DETAILS											
TDI NO:	WIN-2015	E3250PO	THIS DRAWING CONTAINS CONFIDENTIAL INFORMATION WHICH IS THE PROPERTY OF ALL SEASONS. RECEIPT OR POSSESSION OF REPRODUCTIONS OF THIS DRAWING OR POSSESSION OF REPRODUCTIONS OF THIS DRAWING DOES NOT CONFER ANY RIGHTS OR LICENSE TO USE INFORMATION CONTAINED HEREIN WITHOUT THE WRITTEN CONSENT OF ALL SEASONS.												
FLORIDA NO:	FL17123									DRAWN BY:	T.JOBB	DATE DRAWN:	1/24/14	SHEET SIZE:	A
<div style="text-align: right; font-size: 2em; font-weight: bold;">4 OF 7</div>															

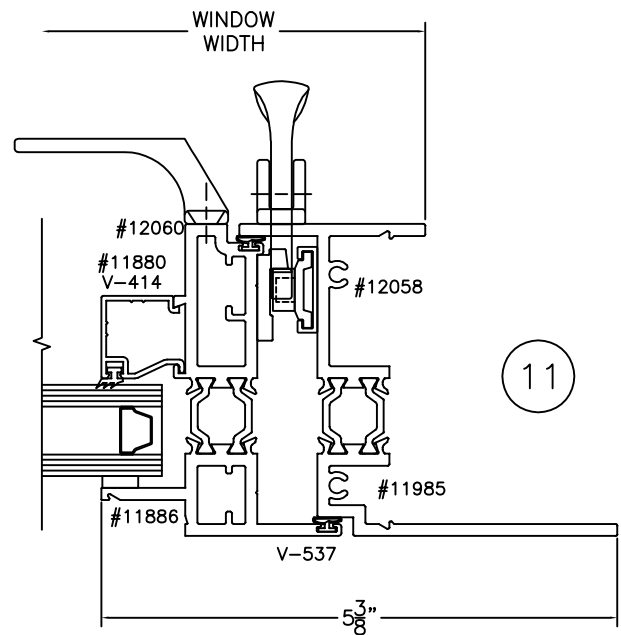


8

9



10

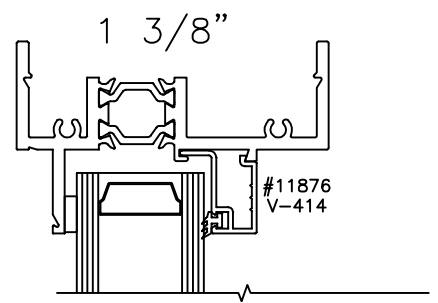
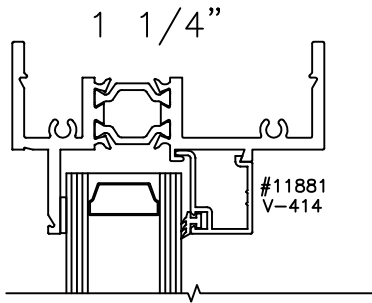
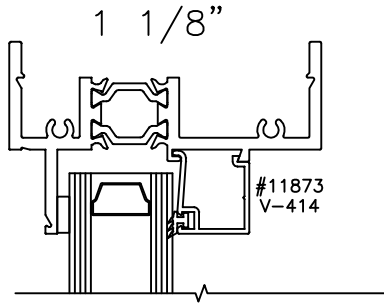
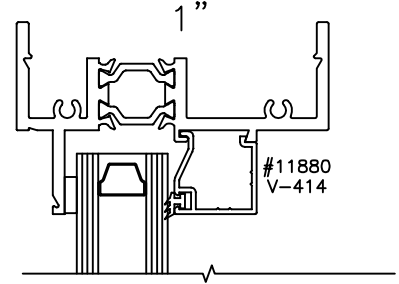
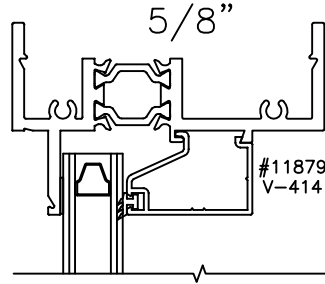
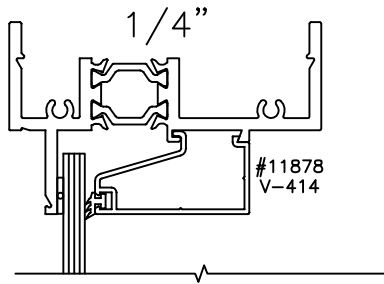


11

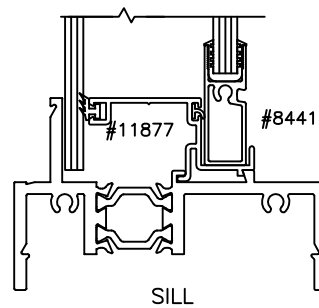
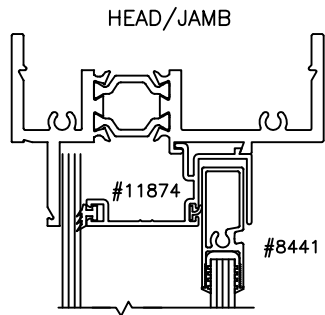
ALL SEASONS
 ARCHITECTURAL WINDOWS MFG.
 1293 N. Harvey Mitchell Pkwy.
 Phone: (979) 823-6557
 Fax: (979) 823-1005

IMPACT:	YES	COMPATIBLE SERIES:	E3250	FAMILY:	E3250	SCALE:	1:2	REVISION:	B	SHEET NUMBER
BLAST:	NO		E3250FF	DESCRIPTION: E3250 CASEMENT OUT SWING FRONT FLANGE CROSS SECTIONS						
TDI NO:	WIN-2015		E3250PO							
FLORIDA NO:				THIS DRAWING CONTAINS CONFIDENTIAL INFORMATION WHICH IS THE PROPERTY OF ALL SEASONS. RECEIPT OR POSSESSION OF REPRODUCTIONS OF THIS DRAWING OR POSSESSION OF REPRODUCTIONS OF THIS DRAWING DOES NOT CONFER ANY RIGHTS OR LICENSE TO USE INFORMATION CONTAINED HEREIN WITHOUT THE WRITTEN CONSENT OF ALL SEASONS.						
	FL17123									
DRAWN BY:		T.Jobb		DATE DRAWN:		1/24/14		SHEET SIZE:		A

5 OF 7



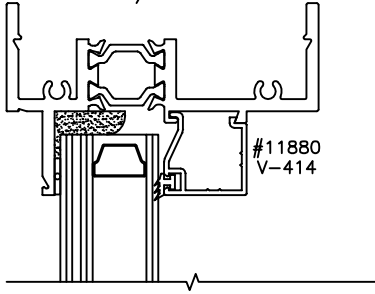
LIFT OUT SPLIT SASH



ALL SEASONS
 ARCHITECTURAL WINDOWS MFG.
 1293 N. Harvey Mitchell Pkwy.
 Phone: (979) 823-6557
 Fax: (979) 823-1005

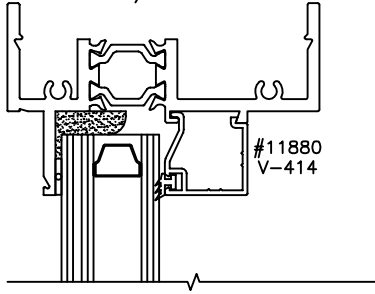
IMPACT:	YES	COMPATIBLE SERIES:	FAMILY:	E3250	SCALE:	1:2	REVISION:	A	SHEET NUMBER						
BLAST:	NO	E3250FF	DESCRIPTION:	E3250 CASEMENT OUT SWING NON-IMPACT GLAZING DETAILS											
TDI NO:	WIN-2015	E3250PO	THIS DRAWING CONTAINS CONFIDENTIAL INFORMATION WHICH IS THE PROPERTY OF ALL SEASONS. RECEIPT OR POSSESSION OF REPRODUCTIONS OF THIS DRAWING OR POSSESSION OF REPRODUCTIONS OF THIS DRAWING DOES NOT CONFER ANY RIGHTS OR LICENSE TO USE INFORMATION CONTAINED HEREIN WITHOUT THE WRITTEN CONSENT OF ALL SEASONS.												
FLORIDA NO:	FL17123									DRAWN BY:	T.JOBB	DATE DRAWN:	1/24/14	SHEET SIZE:	A
										6 OF 7					

1/8" - 0.090 PVB - 1/8"
WITH 1/8" INBOARD



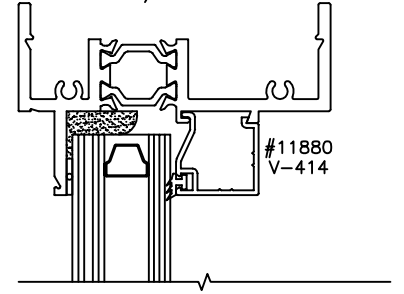
#11880
V-414

1/8" - 0.090 PVB - 1/8"
WITH 3/16" INBOARD



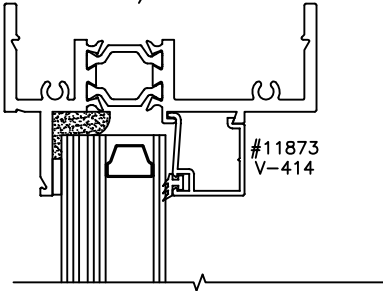
#11880
V-414

1/8" - 0.090 PVB - 1/8"
WITH 1/4" INBOARD



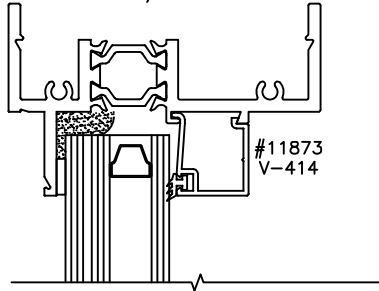
#11880
V-414

3/16" - 0.090 PVB - 3/16"
WITH 1/8" INBOARD



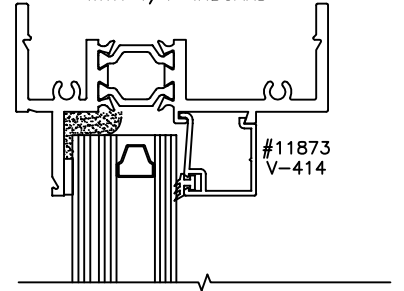
#11873
V-414

3/16" - 0.090 PVB - 3/16"
WITH 3/16" INBOARD



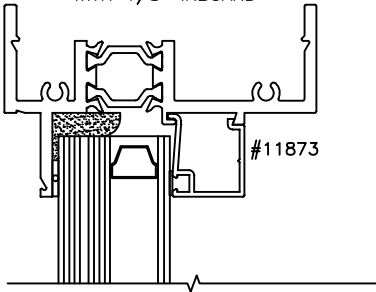
#11873
V-414

3/16" - 0.090 PVB - 3/16"
WITH 1/4" INBOARD



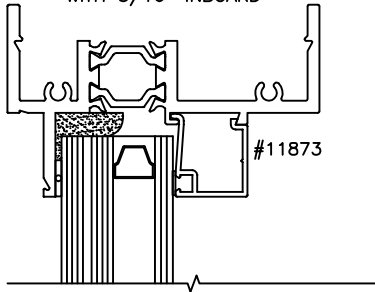
#11873
V-414

1/4" - 0.090 PVB - 1/4"
WITH 1/8" INBOARD



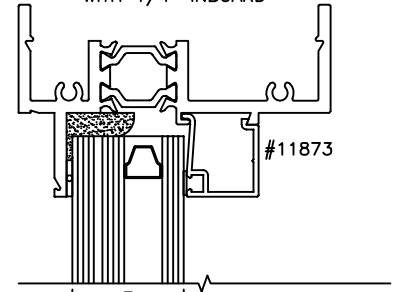
#11873

1/4" - 0.090 PVB - 1/4"
WITH 3/16" INBOARD



#11873

1/4" - 0.090 PVB - 1/4"
WITH 1/4" INBOARD



#11873

1 3/16"

ALL SEASONS

ARCHITECTURAL WINDOWS MFG.

1293 N. Harvey Mitchell Pkwy.

Phone: (979) 823-6557

Fax: (979) 823-1005

IMPACT:	YES	COMPATIBLE SERIES:	E3250	SCALE:	1:2	REVISION:	B	SHEET NUMBER
BLAST:	NO	E3250FF	DESCRIPTION: E3250 CASEMENT OUT SWING LAMINATED GLAZING DETAILS					
TDI NO:	WIN-2015	E3250PO						
FLORIDA NO:	FL17123		DRAWN BY:	T.JOBB	DATE DRAWN:	1/24/14	SHEET SIZE:	A

7
OF
7