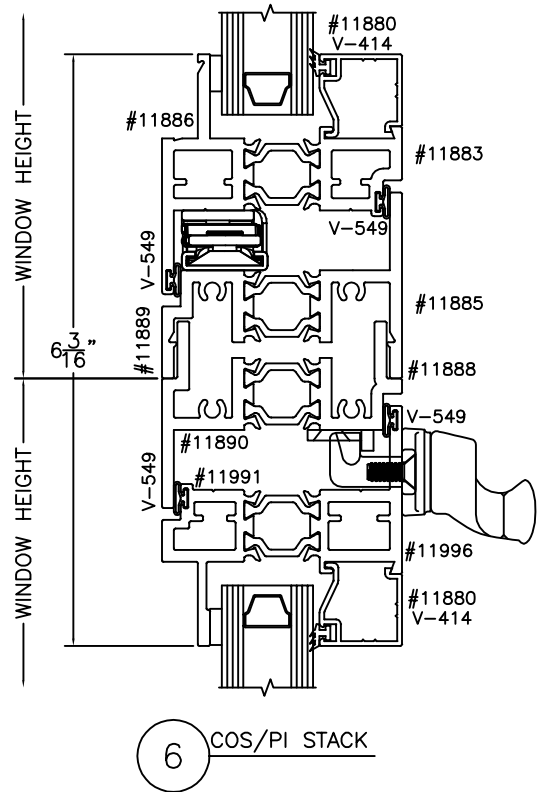
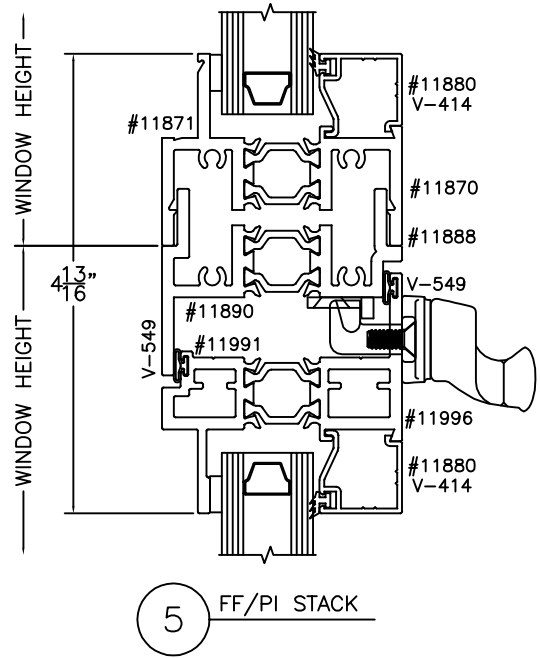
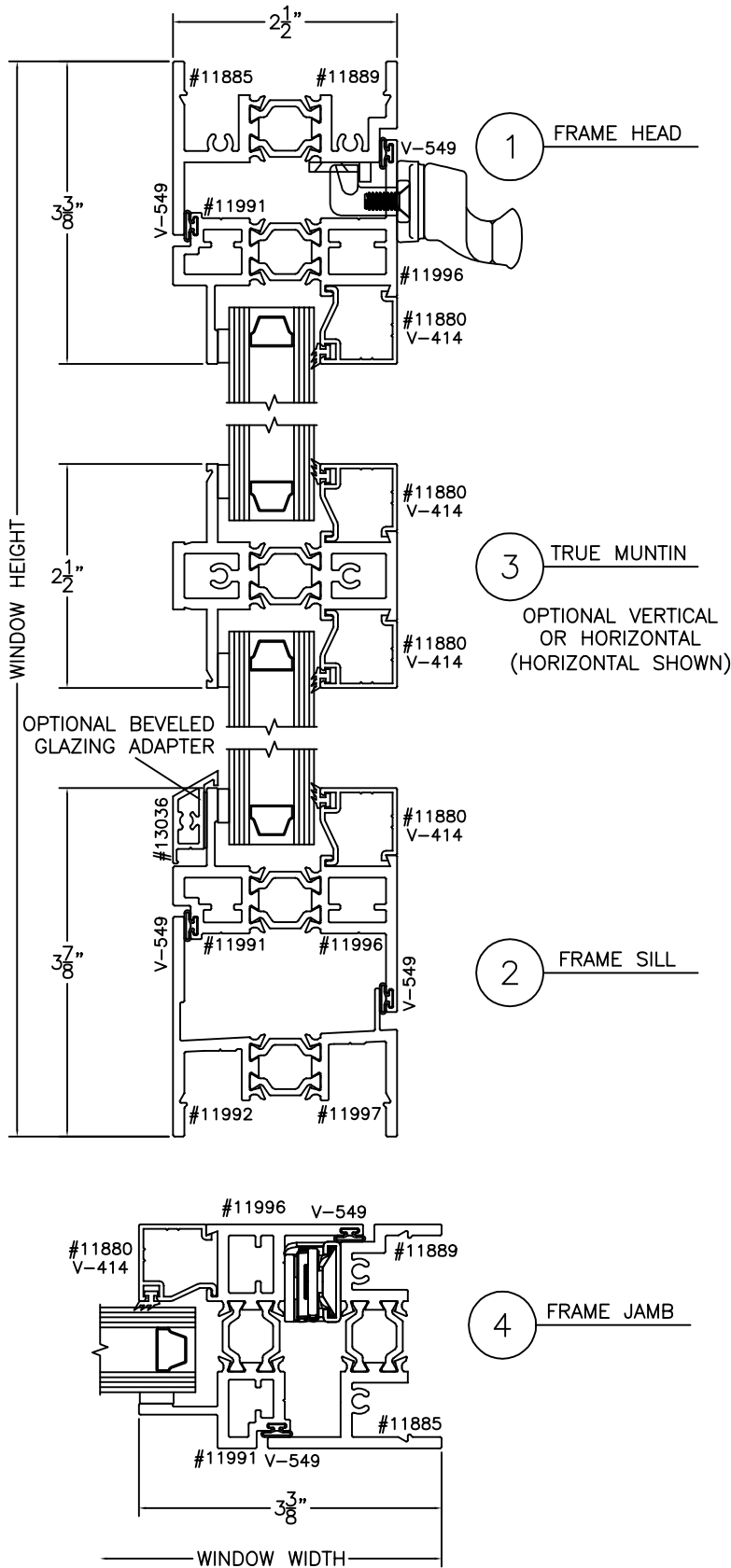
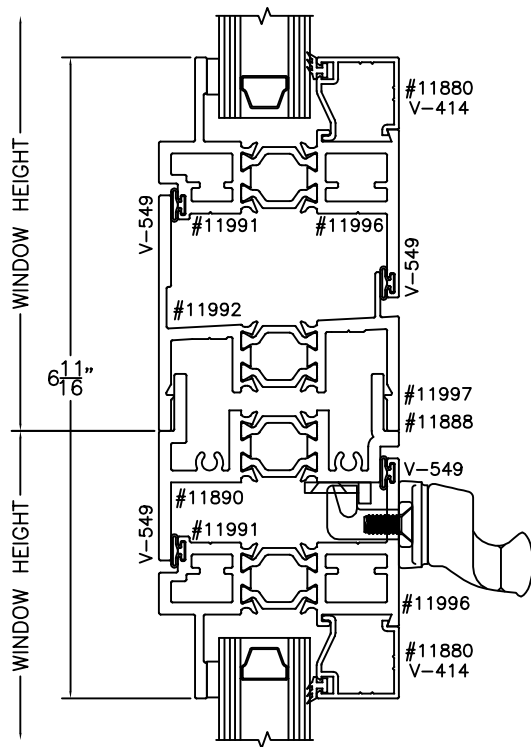


ALL SEASONS
 ARCHITECTURAL WINDOWS MFG.
 1293 N. Harvey Mitchell Pkwy.
 Phone: (979) 823-6557
 Fax: (979) 823-1005

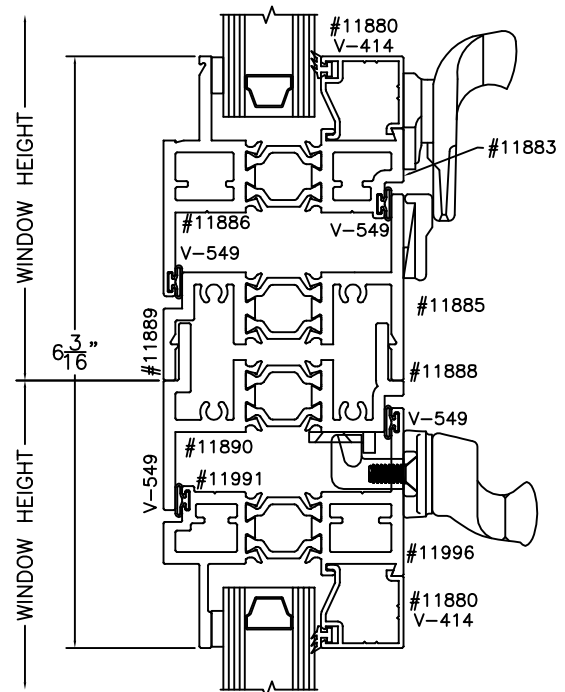
IMPACT:	NO	COMPATIBLE SERIES:	FAMILY: E2500	SCALE: 1:2	REVISION: A	SHEET NUMBER
BLAST:	NO	E2500FF	DESCRIPTION:			
TDI NO:		E2500COS	E2500 PROJECT IN ELEVATIONS			1
FLORIDA NO:		E2500PO				
			THIS DRAWING CONTAINS CONFIDENTIAL INFORMATION WHICH IS THE PROPERTY OF ALL SEASONS. RECEIPT OR POSSESSION OF REPRODUCTIONS OF THIS DRAWING OR POSSESSION OF REPRODUCTIONS OF THIS DRAWING DOES NOT CONFER ANY RIGHTS OR LICENSE TO USE INFORMATION CONTAINED HEREIN WITHOUT THE WRITTEN CONSENT OF ALL SEASONS.			OF
			DRAWN BY: K.Kernell	DATE DRAWN: 02.02.16	SHEET SIZE: A	



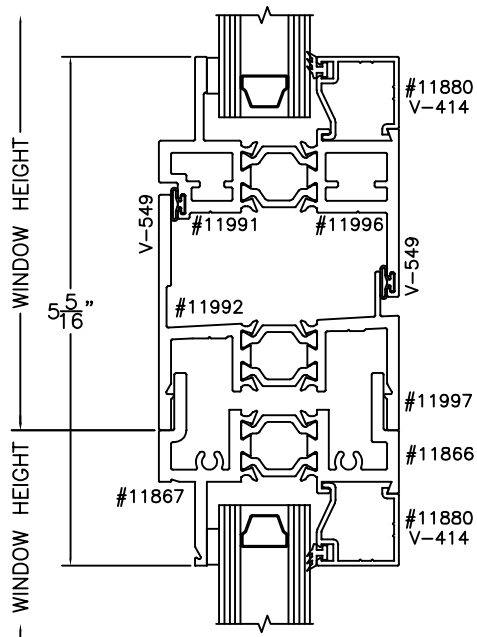
<p>1293 N. Harvey Mitchell Pkwy. Phone: (979) 823-6557 Fax: (979) 823-1005</p>	IMPACT:	NO	COMPATIBLE SERIES:	E2500	SCALE:	1:2	REVISION:	A	SHEET NUMBER
	BLAST:	NO	E2500FF	DESCRIPTION: E2500 PROJECT IN CROSS SECTION DETAILS					
	TDI NO:		E2500COS						
	FLORIDA NO:		E2500PO						
	<small>THIS DRAWING CONTAINS CONFIDENTIAL INFORMATION WHICH IS THE PROPERTY OF ALL SEASONS. RECEIPT OR POSSESSION OF REPRODUCTIONS OF THIS DRAWING OR POSSESSION OF REPRODUCTIONS OF THIS DRAWING DOES NOT CONFER ANY RIGHTS OR LICENSE TO USE INFORMATION CONTAINED HEREIN WITHOUT THE WRITTEN CONSENT OF ALL SEASONS.</small>				DRAWN BY:	K.Kernell	DATE DRAWN:	02.02.16	SHEET SIZE:
									2 OF 6



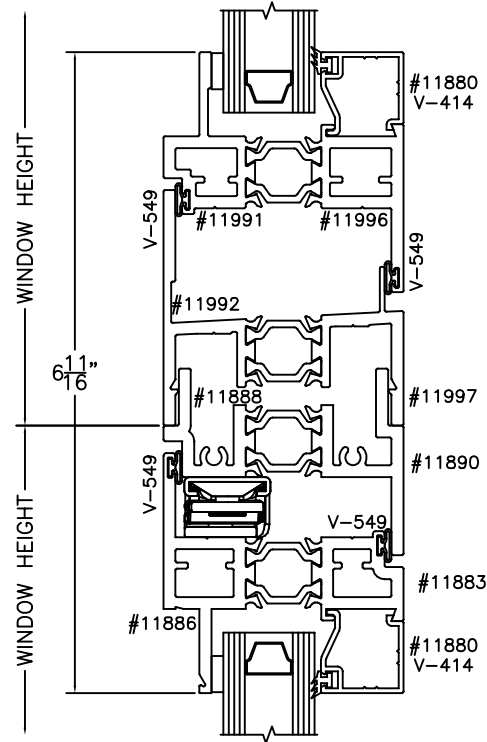
7 PI/PI STACK



8 PO/PI STACK



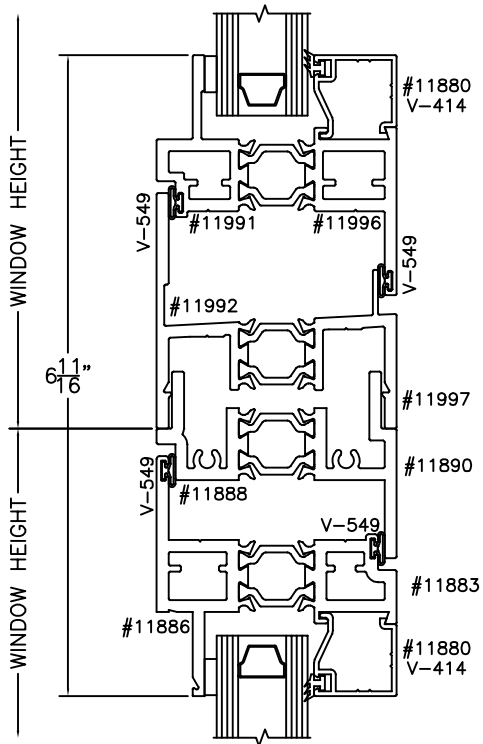
9 PI/FF STACK



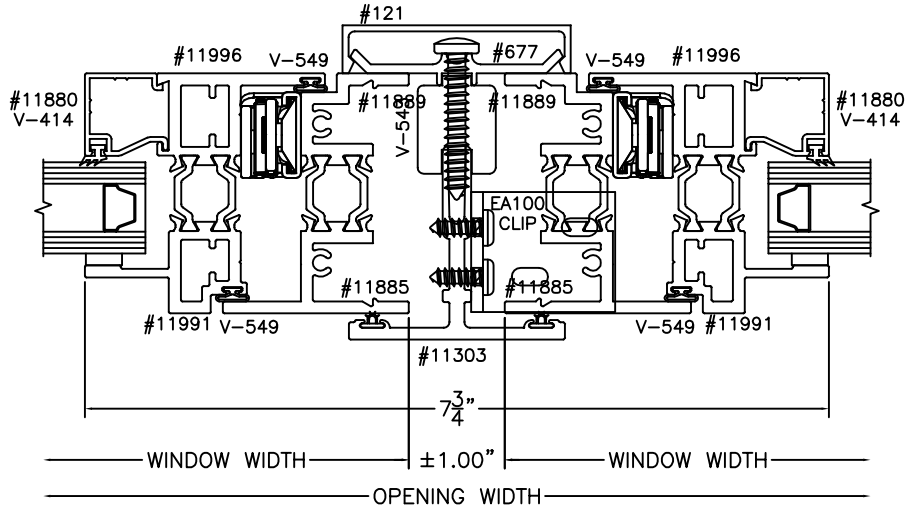
10 PI/COS STACK

ALL SEASONS
 ARCHITECTURAL WINDOWS MFG.
 1293 N. Harvey Mitchell Pkwy.
 Phone: (979) 823-6557
 Fax: (979) 823-1005

IMPACT:	NO	COMPATIBLE SERIES:	FAMILY:	E2500	SCALE:	1:2	REVISION:	A	SHEET NUMBER
BLAST:	NO	E2500FF	DESCRIPTION:	E2500 PROJECT IN CROSS SECTION DETAILS					
TDI NO:		E2500COS							
FLORIDA NO:		E2500PO							3 OF 6
			THIS DRAWING CONTAINS CONFIDENTIAL INFORMATION WHICH IS THE PROPERTY OF ALL SEASONS. RECEIPT OR POSSESSION OF REPRODUCTIONS OF THIS DRAWING OR POSSESSION OF REPRODUCTIONS OF THIS DRAWING DOES NOT CONFER ANY RIGHTS OR LICENSE TO USE INFORMATION CONTAINED HEREIN WITHOUT THE WRITTEN CONSENT OF ALL SEASONS.						
			DRAWN BY:	K.Kernell	DATE DRAWN:	02.02.16	SHEET SIZE:	A	



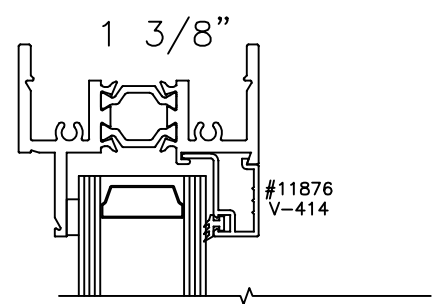
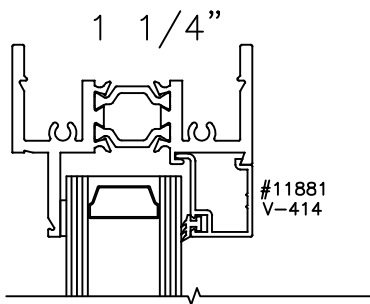
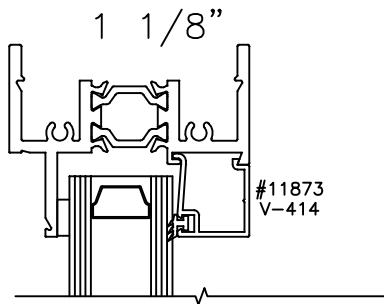
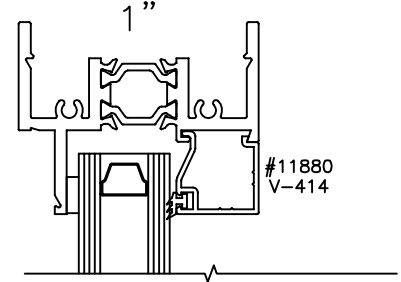
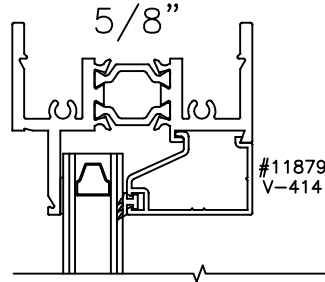
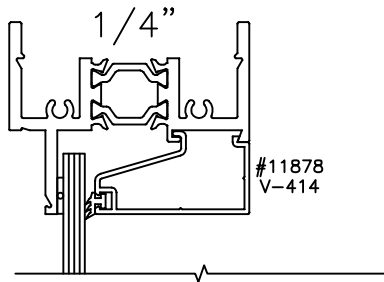
11 PI/PO STACK



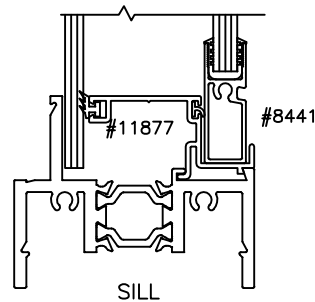
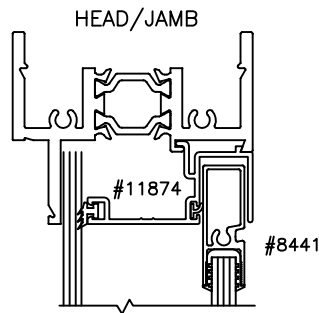
12 PI/PI MULL

ALL SEASONS
 ARCHITECTURAL WINDOWS MFG.
 1293 N. Harvey Mitchell Pkwy.
 Phone: (979) 823-6557
 Fax: (979) 823-1005

IMPACT:	NO	COMPATIBLE SERIES:	E2500	SCALE:	1:2	REVISION:	A	SHEET NUMBER
BLAST:	NO	E2500FF	DESCRIPTION: E2500 PROJECT IN CROSS SECTION DETAILS					
TDI NO:	E2500COS							THIS DRAWING CONTAINS CONFIDENTIAL INFORMATION WHICH IS THE PROPERTY OF ALL SEASONS. RECEIPT OR POSSESSION OF REPRODUCTIONS OF THIS DRAWING OR POSSESSION OF REPRODUCTIONS OF THIS DRAWING DOES NOT CONFER ANY RIGHTS OR LICENSE TO USE INFORMATION CONTAINED HEREIN WITHOUT THE WRITTEN CONSENT OF ALL SEASONS.
FLORIDA NO:	E2500PO		6					



LIFT OUT SPLIT SASH

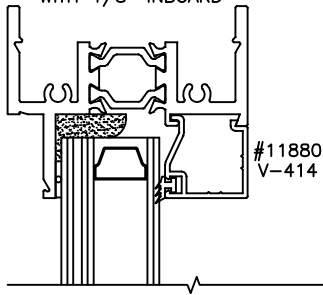


ALL SEASONS
 ARCHITECTURAL WINDOWS MFG.
 1293 N. Harvey Mitchell Pkwy.
 Phone: (979) 823-6557
 Fax: (979) 823-1005

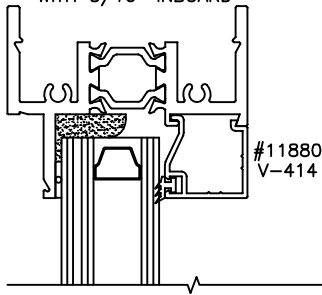
IMPACT:	NO	COMPATIBLE SERIES:	E2500	SCALE:	1:2	REVISION:	A	SHEET NUMBER
BLAST:	NO	E2500FF	DESCRIPTION: E2500 PROJECT IN NON-LAMINATED GLAZING DETAILS					
TDI NO:		E2500COS						
FLORIDA NO:		E2500PO	THIS DRAWING CONTAINS CONFIDENTIAL INFORMATION WHICH IS THE PROPERTY OF ALL SEASONS. RECEIPT OR POSSESSION OF REPRODUCTIONS OF THIS DRAWING OR POSSESSION OF REPRODUCTIONS OF THIS DRAWING DOES NOT CONFER ANY RIGHTS OR LICENSE TO USE INFORMATION CONTAINED HEREIN WITHOUT THE WRITTEN CONSENT OF ALL SEASONS.					
			DRAWN BY: K.Kernell	DATE DRAWN:	02.02.16	SHEET SIZE:	A	

5
OF
6

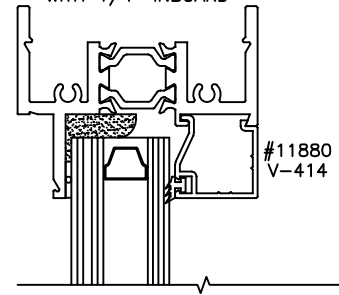
1/8" - 0.090 PVB - 1/8"
WITH 1/8" INBOARD



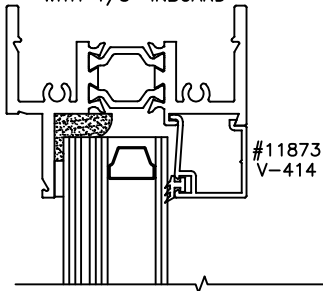
1/8" - 0.090 PVB - 1/8"
WITH 3/16" INBOARD



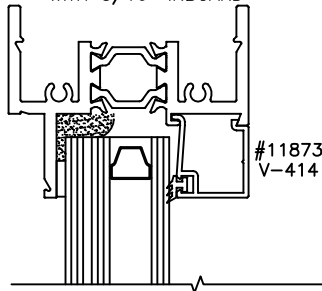
1/8" - 0.090 PVB - 1/8"
WITH 1/4" INBOARD



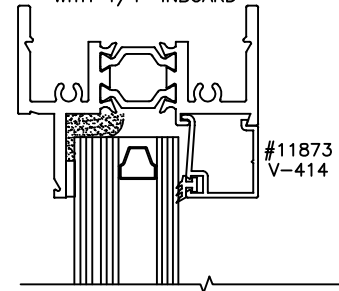
3/16" - 0.090 PVB - 3/16"
WITH 1/8" INBOARD



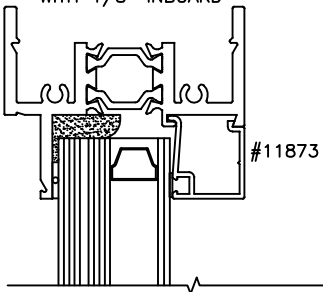
3/16" - 0.090 PVB - 3/16"
WITH 3/16" INBOARD



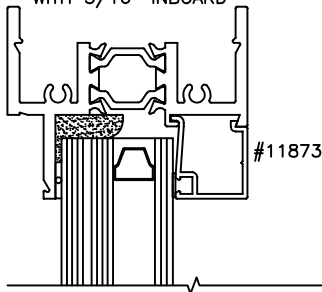
3/16" - 0.090 PVB - 3/16"
WITH 1/4" INBOARD



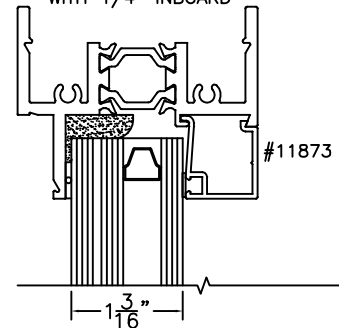
1/4" - 0.090 PVB - 1/4"
WITH 1/8" INBOARD



1/4" - 0.090 PVB - 1/4"
WITH 3/16" INBOARD



1/4" - 0.090 PVB - 1/4"
WITH 1/4" INBOARD



ALL SEASONS
ARCHITECTURAL WINDOWS MFG.
1293 N. Harvey Mitchell Pkwy.
Phone: (979) 823-6557
Fax: (979) 823-1005

IMPACT:	NO	COMPATIBLE SERIES:	FAMILY:	E2500	SCALE:	1:2	REVISION:	A	SHEET NUMBER
BLAST:	NO	E2500FF	DESCRIPTION: E2500 PROJECT IN LAMINATED GLAZING DETAILS						
TDI NO:		E2500COS							
FLORIDA NO:		E2500PO	THIS DRAWING CONTAINS CONFIDENTIAL INFORMATION WHICH IS THE PROPERTY OF ALL SEASONS. RECEIPT OR POSSESSION OF REPRODUCTIONS OF THIS DRAWING OR POSSESSION OF REPRODUCTIONS OF THIS DRAWING DOES NOT CONFER ANY RIGHTS OR LICENSE TO USE INFORMATION CONTAINED HEREIN WITHOUT THE WRITTEN CONSENT OF ALL SEASONS.						

6
OF
6