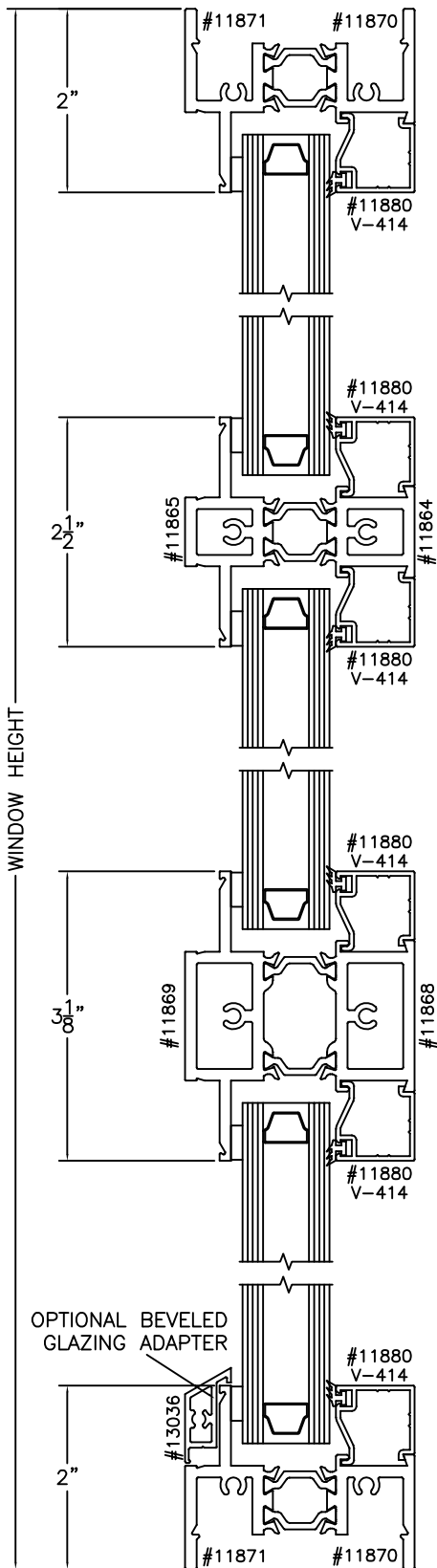


**ALL SEASONS**  
 ARCHITECTURAL WINDOWS MFG.  
 1293 N. Harvey Mitchell Pkwy.  
 Phone: (979) 823-6557  
 Fax: (979) 823-1005

IMPACT:	NO	COMPATIBLE SERIES:	FAMILY:	E2500	SCALE:	1:2	REVISION:	C	SHEET NUMBER
BLAST:	NO	E2500COS	DESCRIPTION: E2500 FIXED FRAME ELEVATIONS						
TDI NO:	WIN-2013	E2500PI							
FLORIDA NO:	FL17121	E2500PO	THIS DRAWING CONTAINS CONFIDENTIAL INFORMATION WHICH IS THE PROPERTY OF ALL SEASONS. RECEIPT OR POSSESSION OF REPRODUCTIONS OF THIS DRAWING OR POSSESSION OF REPRODUCTIONS OF THIS DRAWING DOES NOT CONFER ANY RIGHTS OR LICENSE TO USE INFORMATION CONTAINED HEREIN WITHOUT THE WRITTEN CONSENT OF ALL SEASONS.						

1  
OF  
4

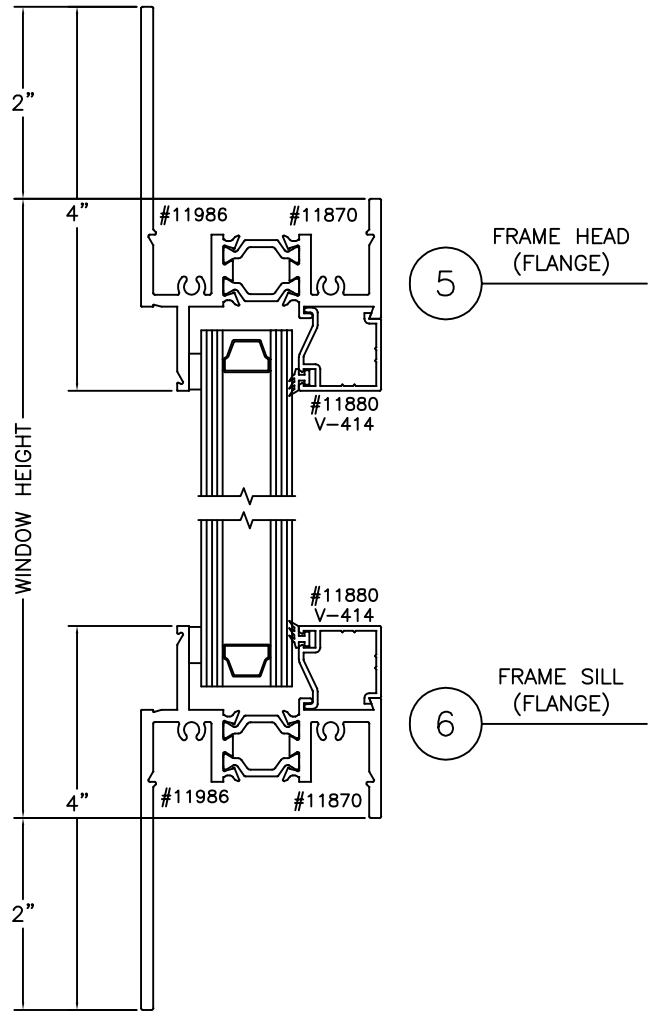


1 FRAME HEAD

2 TRUE MUNTIN  
OPTIONAL VERTICAL  
OR HORIZONTAL  
(HORIZONTAL SHOWN)

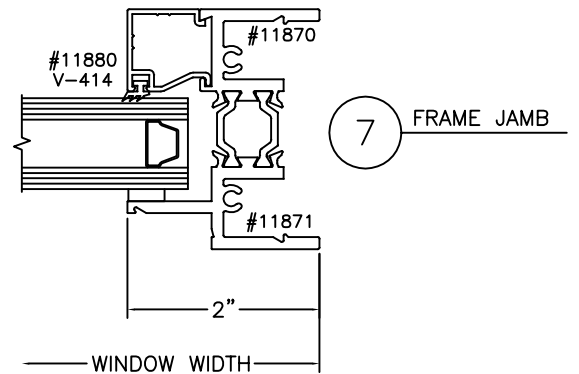
3 IMPOST  
OPTIONAL VERTICAL  
OR HORIZONTAL  
(HORIZONTAL SHOWN)

4 FRAME SILL



5 FRAME HEAD  
(FLANGE)

6 FRAME SILL  
(FLANGE)

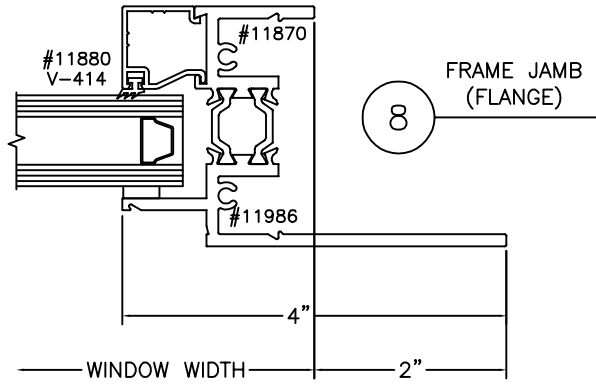



7 FRAME JAMB

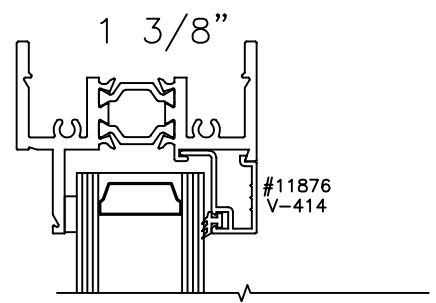
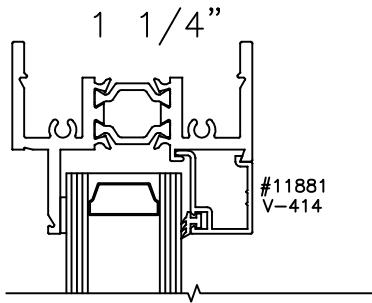
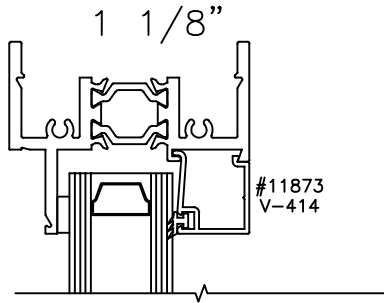
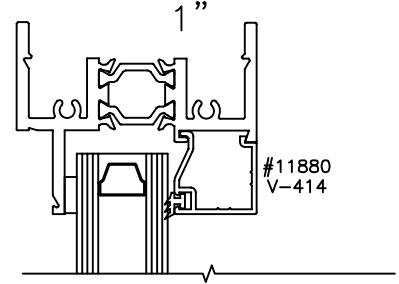
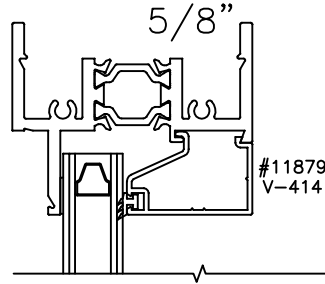
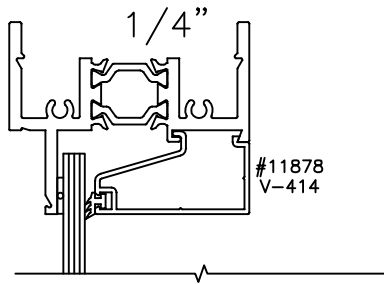
**ALL SEASONS**  
ARCHITECTURAL WINDOWS MFG.  
1293 N. Harvey Mitchell Pkwy.  
Phone: (979) 823-6557  
Fax: (979) 823-1005

IMPACT:	NO	COMPATIBLE SERIES:	FAMILY:	E2500	SCALE:	1:2	REVISION:	C	SHEET NUMBER
BLAST:	NO	E2500COS	DESCRIPTION:	E2500 FIXED FRAME CROSS SECTION DETAILS					
TDI NO:	WIN-2013	E2500PI	THIS DRAWING CONTAINS CONFIDENTIAL INFORMATION WHICH IS THE PROPERTY OF ALL SEASONS. RECEIPT OR POSSESSION OF REPRODUCTIONS OF THIS DRAWING OR POSSESSION OF REPRODUCTIONS OF THIS DRAWING DOES NOT CONFER ANY RIGHTS OR LICENSE TO USE INFORMATION CONTAINED HEREIN WITHOUT THE WRITTEN CONSENT OF ALL SEASONS.						
FLORIDA NO:		E2500PO							
FL17121									

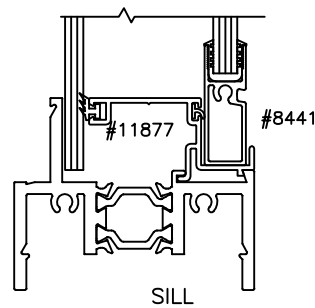
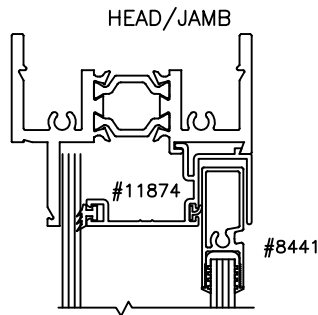
2 OF 4



 <p>1293 N. Harvey Mitchell Pkwy. Phone: (979) 823-6557 Fax: (979) 823-1005</p>	IMPACT:	NO	COMPATIBLE SERIES:	FAMILY:	E2500	SCALE:	1:2	REVISION:	C	SHEET NUMBER	
	BLAST:	NO	E2500COS	DESCRIPTION: E2500 FIXED FRAME CROSS SECTION DETAILS							<b>3</b> OF <b>4</b>
	TDI NO:	WIN-2013	E2500PI								
	FLORIDA NO:		E2500PO	THIS DRAWING CONTAINS CONFIDENTIAL INFORMATION WHICH IS THE PROPERTY OF ALL SEASONS. RECEIPT OR POSSESSION OF REPRODUCTIONS OF THIS DRAWING OR POSSESSION OF REPRODUCTIONS OF THIS DRAWING DOES NOT CONFER ANY RIGHTS OR LICENSE TO USE INFORMATION CONTAINED HEREIN WITHOUT THE WRITTEN CONSENT OF ALL SEASONS.							
	FL17121										
			DRAWN BY:	T.Jobb	DATE DRAWN:	1/24/14	SHEET SIZE:	A			



LIFT OUT SASH



**ALL SEASONS**  
 ARCHITECTURAL WINDOWS MFG.  
 1293 N. Harvey Mitchell Pkwy.  
 Phone: (979) 823-6557  
 Fax: (979) 823-1005

IMPACT:	NO	COMPATIBLE SERIES:	FAMILY:	E2500	SCALE:	1:2	REVISION:	C	SHEET NUMBER
BLAST:	NO	E2500COS	DESCRIPTION:	E2500 FIXED FRAME NON-LAMINTED GLAZING DETAILS					
TDI NO:	WIN-2013	E2500PI	THIS DRAWING CONTAINS CONFIDENTIAL INFORMATION WHICH IS THE PROPERTY OF ALL SEASONS. RECEIPT OR POSSESSION OF REPRODUCTIONS OF THIS DRAWING OR POSSESSION OF REPRODUCTIONS OF THIS DRAWING DOES NOT CONFER ANY RIGHTS OR LICENSE TO USE INFORMATION CONTAINED HEREIN WITHOUT THE WRITTEN CONSENT OF ALL SEASONS.						
FLORIDA NO:	FL17121	E2500PO							
			DRAWN BY:	T.Jobb	DATE DRAWN:	1/24/14	SHEET SIZE:	A	4 OF 4