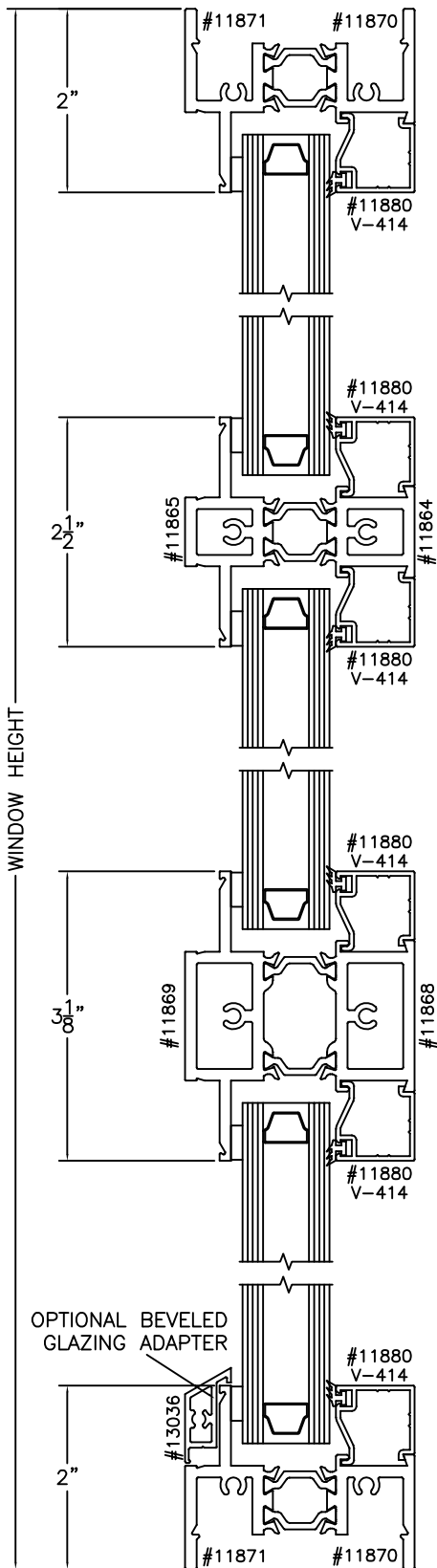


ALL SEASONS
 ARCHITECTURAL WINDOWS MFG.

1293 N. Harvey Mitchell Pkwy.
 Phone: (979) 823-6557
 Fax: (979) 823-1005

IMPACT:	NO	COMPATIBLE SERIES:	FAMILY:	E2500	SCALE:	1:2	REVISION:	C	SHEET NUMBER
BLAST:	NO	E2500COS	DESCRIPTION: E2500 FIXED FRAME ELEVATIONS						
TDI NO:	WIN-2013	E2500PI							
FLORIDA NO:		E2500PO	THIS DRAWING CONTAINS CONFIDENTIAL INFORMATION WHICH IS THE PROPERTY OF ALL SEASONS. RECEIPT OR POSSESSION OF REPRODUCTIONS OF THIS DRAWING OR POSSESSION OF REPRODUCTIONS OF THIS DRAWING DOES NOT CONFER ANY RIGHTS OR LICENSE TO USE INFORMATION CONTAINED HEREIN WITHOUT THE WRITTEN CONSENT OF ALL SEASONS.						
FL17121									
			DRAWN BY:	T.Jobb	DATE DRAWN:	1/24/14	SHEET SIZE:	A	1 OF 6

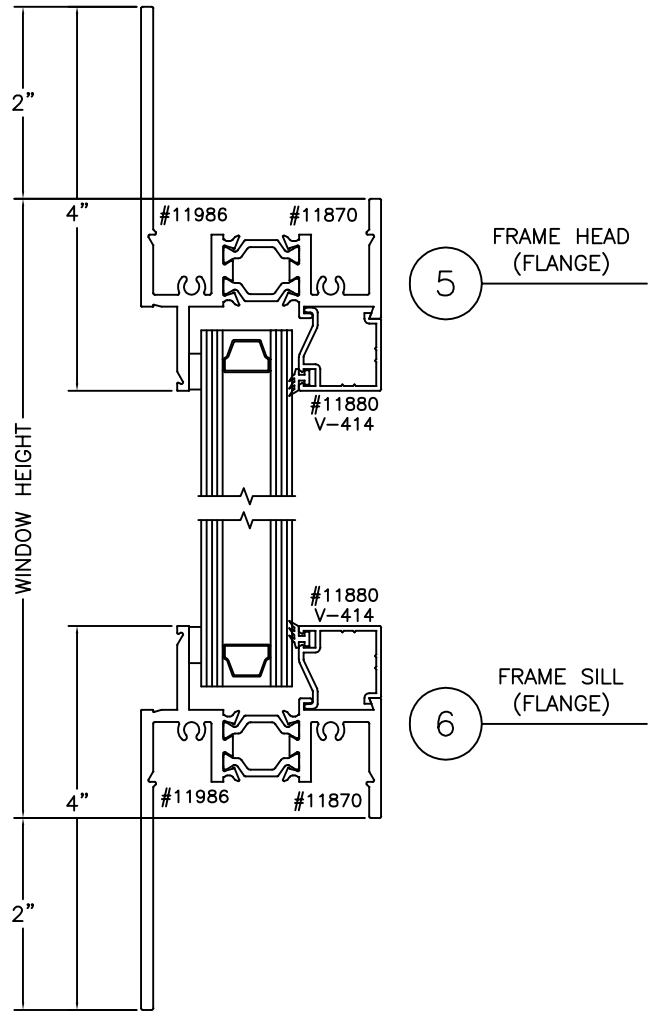


1 FRAME HEAD

2 TRUE MUNTIN
OPTIONAL VERTICAL OR HORIZONTAL (HORIZONTAL SHOWN)

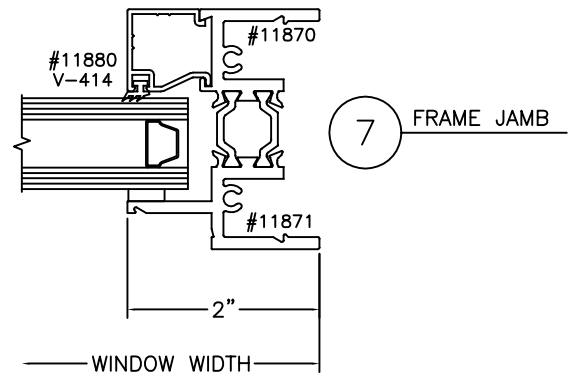
3 IMPOST
OPTIONAL VERTICAL OR HORIZONTAL (HORIZONTAL SHOWN)

4 FRAME SILL



5 FRAME HEAD (FLANGE)

6 FRAME SILL (FLANGE)

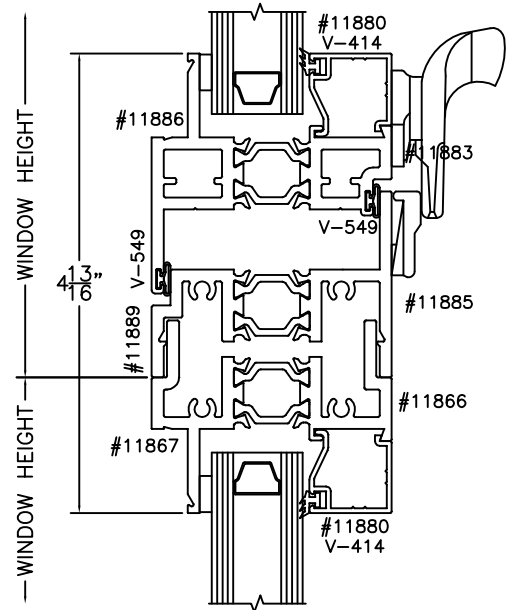
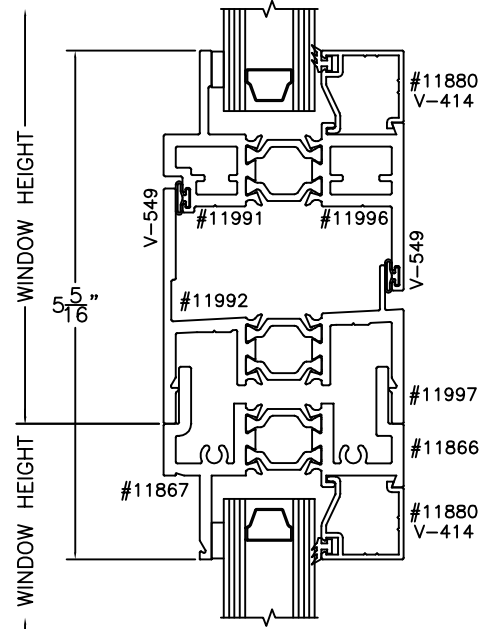
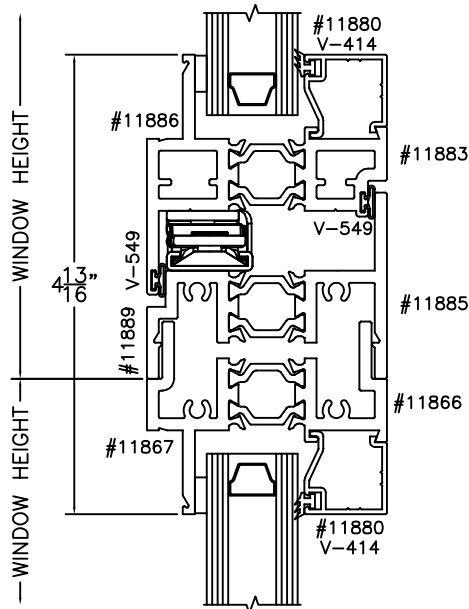
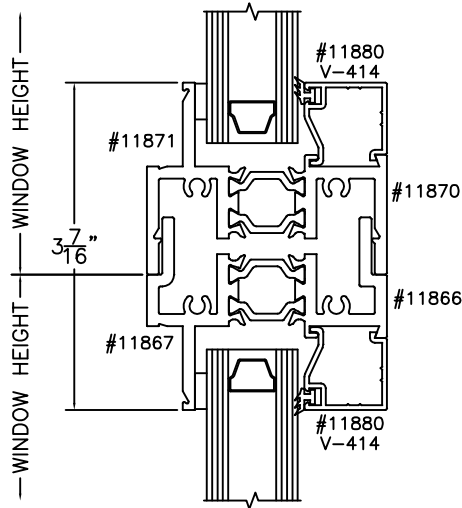
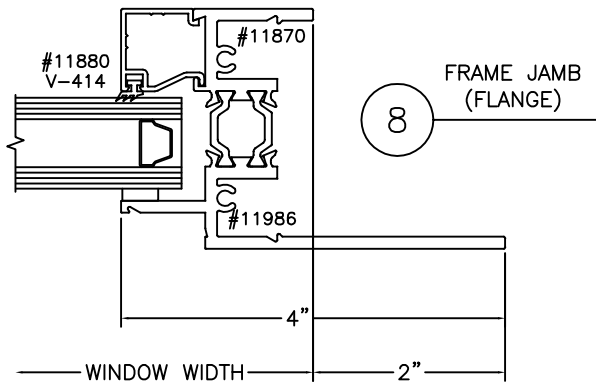


7 FRAME JAMB

ALL SEASONS
ARCHITECTURAL WINDOWS MFG.
1293 N. Harvey Mitchell Pkwy.
Phone: (979) 823-6557
Fax: (979) 823-1005

IMPACT:	NO	COMPATIBLE SERIES:	FAMILY:	E2500	SCALE:	1:2	REVISION:	C	SHEET NUMBER
BLAST:	NO	E2500COS	DESCRIPTION:	E2500 FIXED FRAME CROSS SECTION DETAILS					
TDI NO:	WIN-2013	E2500PI	THIS DRAWING CONTAINS CONFIDENTIAL INFORMATION WHICH IS THE PROPERTY OF ALL SEASONS. RECEIPT OR POSSESSION OF REPRODUCTIONS OF THIS DRAWING OR POSSESSION OF REPRODUCTIONS OF THIS DRAWING DOES NOT CONFER ANY RIGHTS OR LICENSE TO USE INFORMATION CONTAINED HEREIN WITHOUT THE WRITTEN CONSENT OF ALL SEASONS.						
FLORIDA NO:	FL17121	E2500PO							

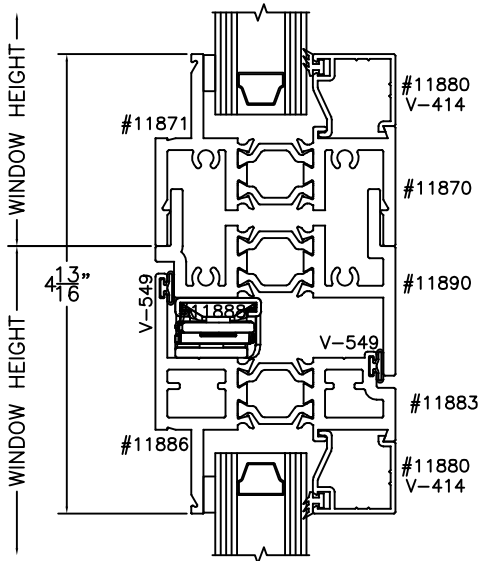
2 OF 6



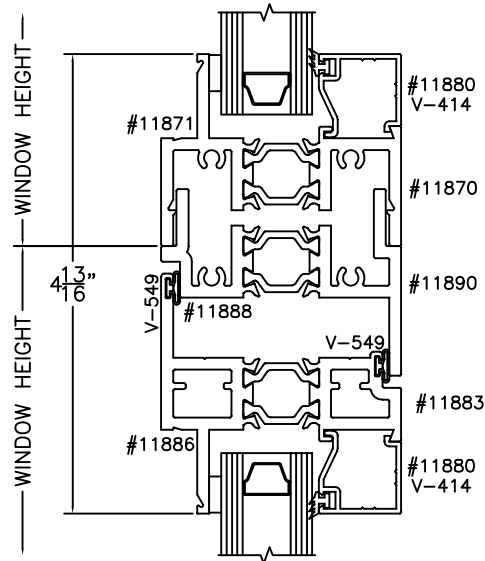
ALL SEASONS
 ARCHITECTURAL WINDOWS MFG.
 1293 N. Harvey Mitchell Pkwy.
 Phone: (979) 823-6557
 Fax: (979) 823-1005

IMPACT:	NO	COMPATIBLE SERIES:	E2500COS	FAMILY:	E2500	SCALE:	1:2	REVISION:	C	SHEET NUMBER
BLAST:	NO	TDI NO:	WIN-2013	DESCRIPTION:	E2500 FIXED FRAME CROSS SECTION DETAILS					
FLORIDA NO:	E2500PI	FLORIDA NO:	E2500PO	THIS DRAWING CONTAINS CONFIDENTIAL INFORMATION WHICH IS THE PROPERTY OF ALL SEASONS. RECEIPT OR POSSESSION OF REPRODUCTIONS OF THIS DRAWING OR POSSESSION OF REPRODUCTIONS OF THIS DRAWING DOES NOT CONFER ANY RIGHTS OR LICENSE TO USE INFORMATION CONTAINED HEREIN WITHOUT THE WRITTEN CONSENT OF ALL SEASONS.						
FL17121		FL17121								

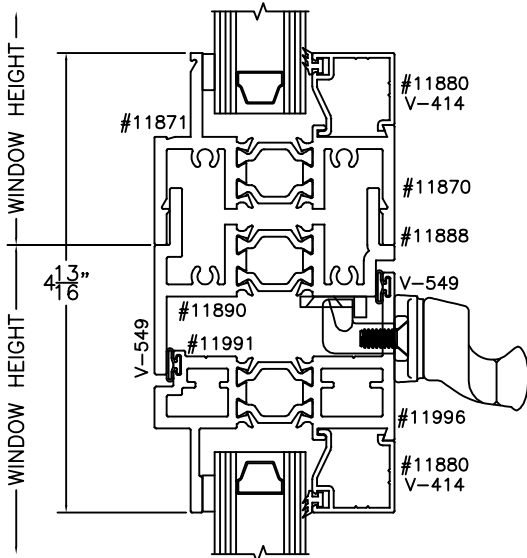
3 OF 6



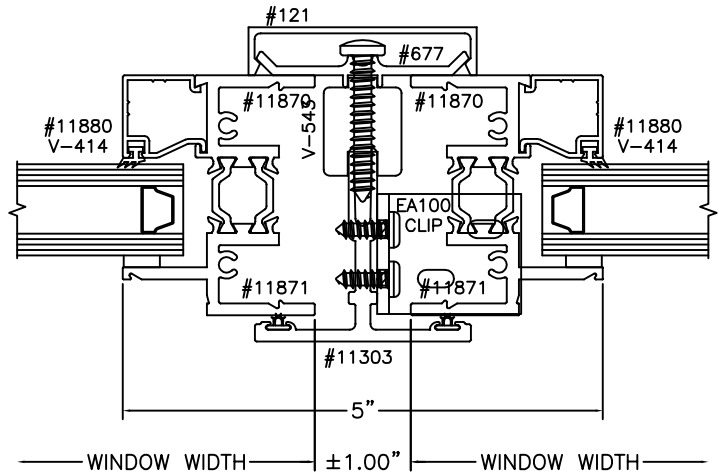
13 FF/COS STACK



15 FF/PO STACK



14 FF/PI STACK

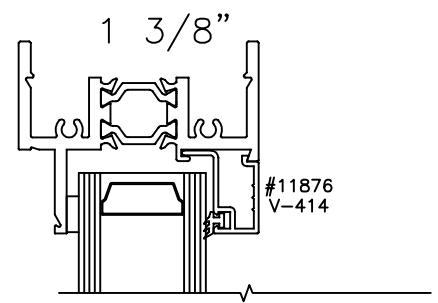
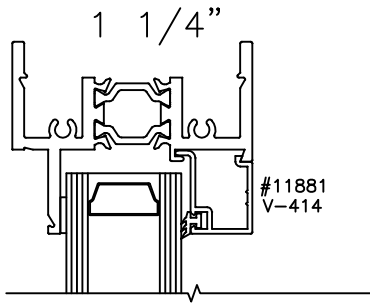
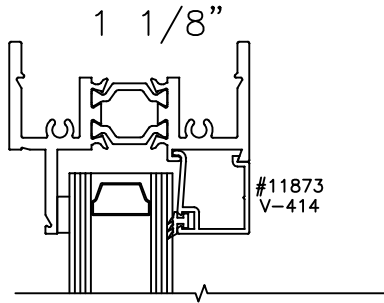
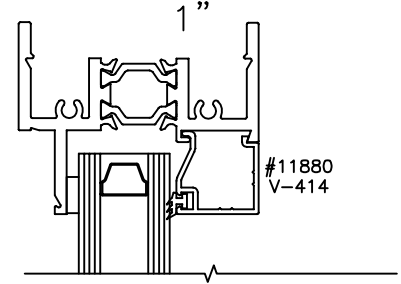
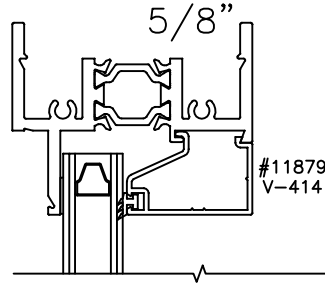
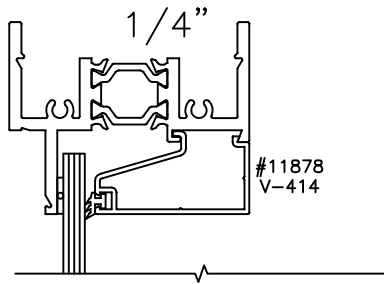


16 FF/FF MULL

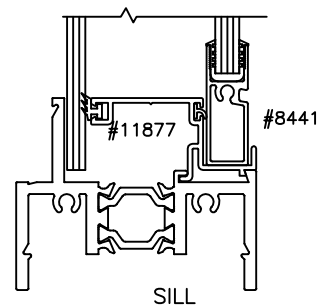
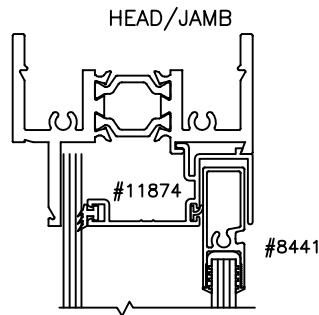
ALL SEASONS
 ARCHITECTURAL WINDOWS MFG.
 1293 N. Harvey Mitchell Pkwy.
 Phone: (979) 823-6557
 Fax: (979) 823-1005

IMPACT:	NO	COMPATIBLE SERIES:	E2500COS	FAMILY:	E2500	SCALE:	1:2	REVISION:	C	SHEET NUMBER
BLAST:	NO		E2500PI	DESCRIPTION: E2500 FIXED FRAME CROSS SECTION DETAILS						
TDI NO:	WIN-2013		E2500PO							
FLORIDA NO:			FL17121							
THIS DRAWING CONTAINS CONFIDENTIAL INFORMATION WHICH IS THE PROPERTY OF ALL SEASONS. RECEIPT OR POSSESSION OF REPRODUCTIONS OF THIS DRAWING OR POSSESSION OF REPRODUCTIONS OF THIS DRAWING DOES NOT CONFER ANY RIGHTS OR LICENSE TO USE INFORMATION CONTAINED HEREIN WITHOUT THE WRITTEN CONSENT OF ALL SEASONS.			DRAWN BY:	T.Jobb	DATE DRAWN:	1/24/14	SHEET SIZE:	A		

4
OF
6



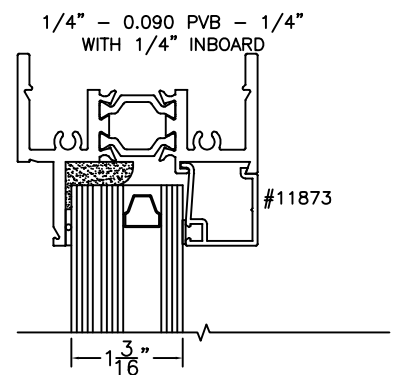
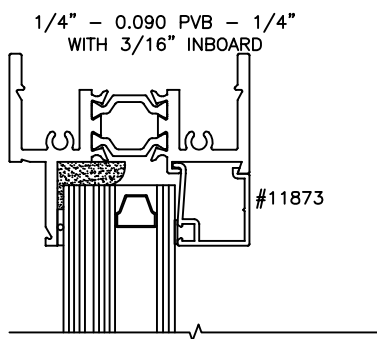
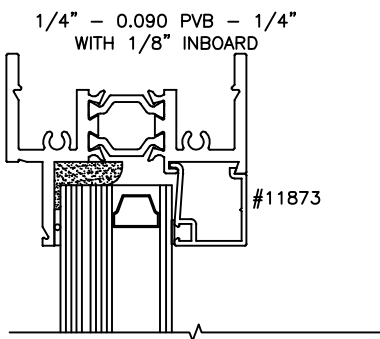
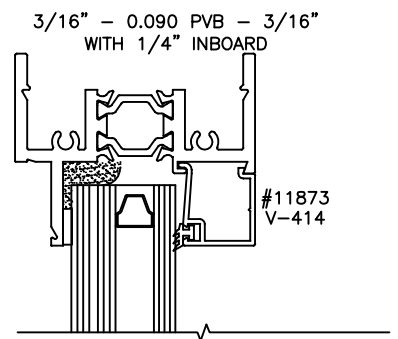
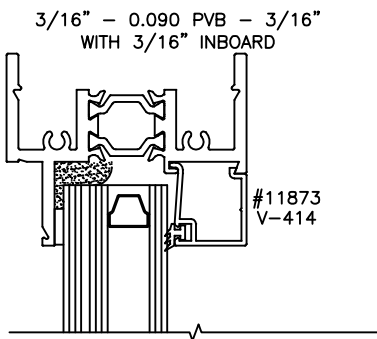
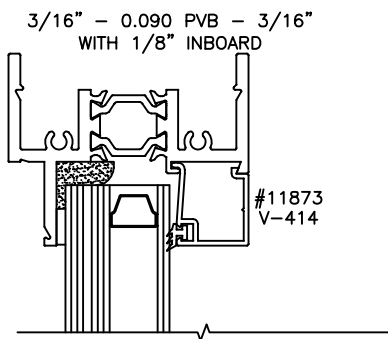
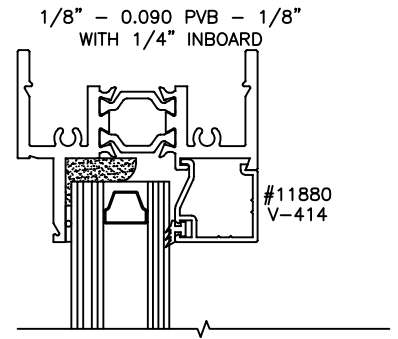
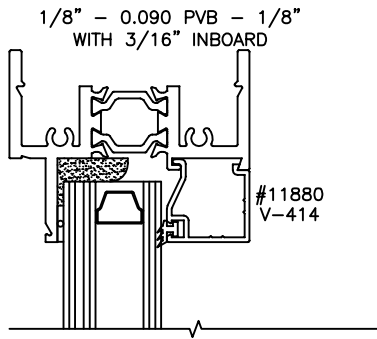
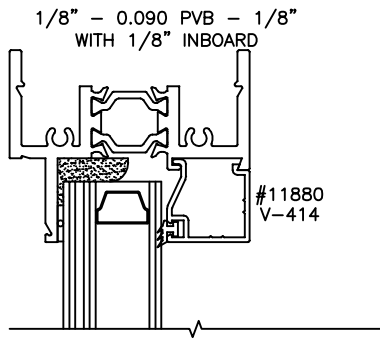
LIFT OUT SASH



ALL SEASONS
 ARCHITECTURAL WINDOWS MFG.
 1293 N. Harvey Mitchell Pkwy.
 Phone: (979) 823-6557
 Fax: (979) 823-1005

IMPACT:	NO	COMPATIBLE SERIES:	E2500COS	FAMILY:	E2500	SCALE:	1:2	REVISION:	C	SHEET NUMBER
BLAST:	NO		E2500PI	DESCRIPTION: E2500 FIXED FRAME NON-LAMINTED GLAZING DETAILS						
TDI NO:	WIN-2013		E2500PO							
FLORIDA NO:	FL17121			THIS DRAWING CONTAINS CONFIDENTIAL INFORMATION WHICH IS THE PROPERTY OF ALL SEASONS. RECEIPT OR POSSESSION OF REPRODUCTIONS OF THIS DRAWING OR POSSESSION OF REPRODUCTIONS OF THIS DRAWING DOES NOT CONFER ANY RIGHTS OR LICENSE TO USE INFORMATION CONTAINED HEREIN WITHOUT THE WRITTEN CONSENT OF ALL SEASONS.						

5
OF
6



ALL SEASONS
ARCHITECTURAL WINDOWS MFG.
1293 N. Harvey Mitchell Pkwy.
Phone: (979) 823-6557
Fax: (979) 823-1005

IMPACT:	NO	COMPATIBLE SERIES:	FAMILY:	E2500	SCALE:	1:2	REVISION:	C	SHEET NUMBER
BLAST:	NO	E2500COS	DESCRIPTION: E2500 FIXED FRAME LAMINATED GLAZING DETAILS						
TDI NO:	WIN-2013	E2500PI							
FLORIDA NO:		E2500PO							
FL17121									
THIS DRAWING CONTAINS CONFIDENTIAL INFORMATION WHICH IS THE PROPERTY OF ALL SEASONS. RECEIPT OR POSSESSION OF REPRODUCTIONS OF THIS DRAWING OR POSSESSION OF REPRODUCTIONS OF THIS DRAWING DOES NOT CONFER ANY RIGHTS OR LICENSE TO USE INFORMATION CONTAINED HEREIN WITHOUT THE WRITTEN CONSENT OF ALL SEASONS.			DRAWN BY:	T.Jobb	DATE DRAWN:	1/24/14	SHEET SIZE:	A	6 OF 6