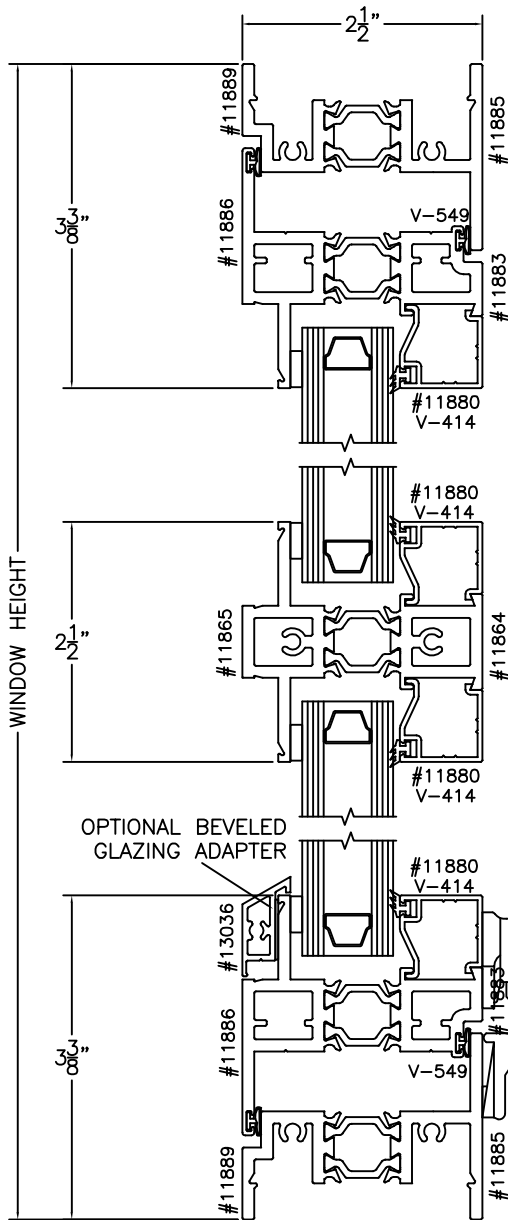


ALL SEASONS
 ARCHITECTURAL WINDOWS MFG.
 1293 N. Harvey Mitchell Pkwy.
 Phone: (979) 823-6557
 Fax: (979) 823-1005

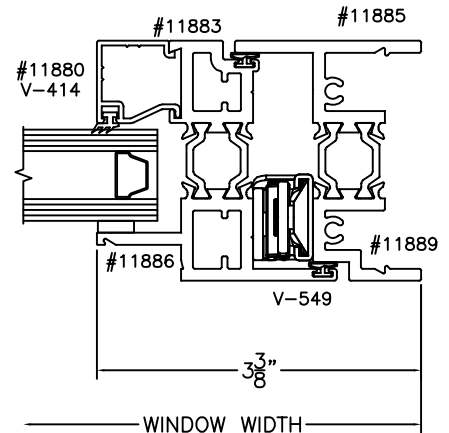
IMPACT:	NO	COMPATIBLE SERIES:	FAMILY: E2500	SCALE: 1:2	REVISION: C	SHEET NUMBER
BLAST:	NO	E2500FF	DESCRIPTION: E2500 PROJECT OUT ELEVATIONS			
TDI NO:	WIN-2020	E2500COS				THIS DRAWING CONTAINS CONFIDENTIAL INFORMATION WHICH IS THE PROPERTY OF ALL SEASONS. RECEIPT OR POSSESSION OF REPRODUCTIONS OF THIS DRAWING OR POSSESSION OF REPRODUCTIONS OF THIS DRAWING DOES NOT CONFER ANY RIGHTS OR LICENSE TO USE INFORMATION CONTAINED HEREIN WITHOUT THE WRITTEN CONSENT OF ALL SEASONS.
FLORIDA NO:		E2500PI				
	FL17125					
DRAWN BY: T.Jobb		DATE DRAWN: 1/27/14	SHEET SIZE: A			1 OF 4



1 FRAME HEAD

2 TRUE MUNTIN
 OPTIONAL VERTICAL
 OR HORIZONTAL
 (HORIZONTAL SHOWN)

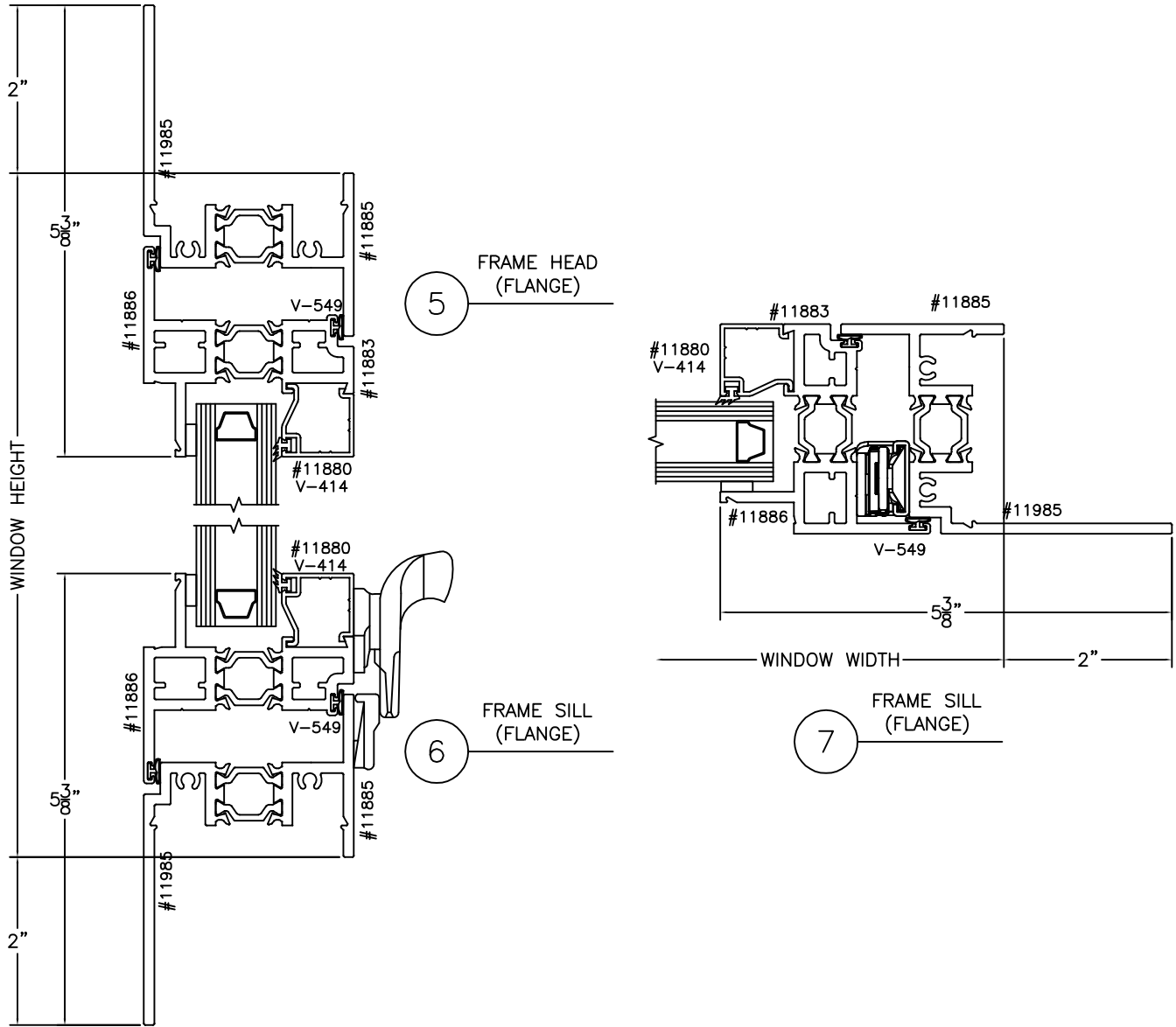
3 FRAME SILL



4 FRAME JAMB

ALL SEASONS
 ARCHITECTURAL WINDOWS MFG.
 1293 N. Harvey Mitchell Pkwy.
 Phone: (979) 823-6557
 Fax: (979) 823-1005

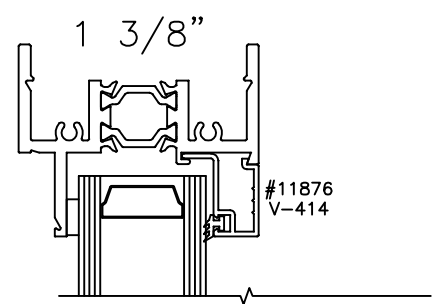
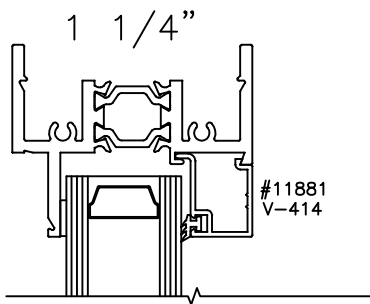
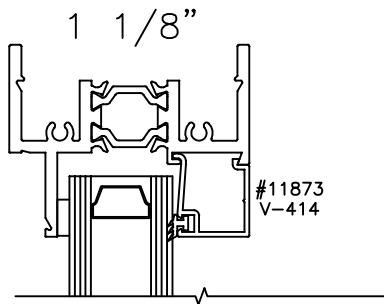
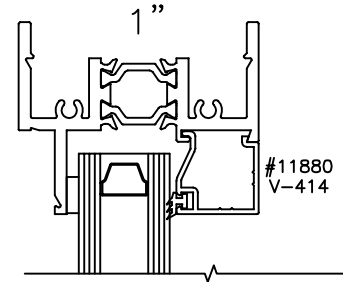
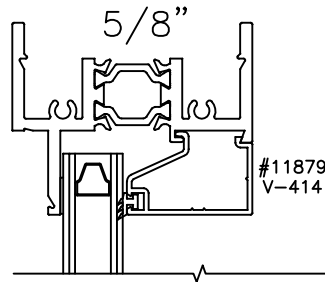
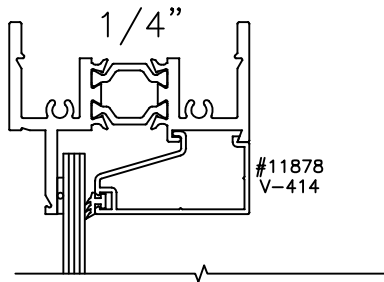
IMPACT:	NO	COMPATIBLE SERIES:	FAMILY:	E2500	SCALE:	1:2	REVISION:	C	SHEET NUMBER
BLAST:	NO	E2500FF	DESCRIPTION:	E2500 PROJECT OUT CROSS SECTION DETAILS					
TDI NO:	WIN-2020	E2500COS	THIS DRAWING CONTAINS CONFIDENTIAL INFORMATION WHICH IS THE PROPERTY OF ALL SEASONS. RECEIPT OR POSSESSION OF REPRODUCTIONS OF THIS DRAWING OR POSSESSION OF REPRODUCTIONS OF THIS DRAWING DOES NOT CONFER ANY RIGHTS OR LICENSE TO USE INFORMATION CONTAINED HEREIN WITHOUT THE WRITTEN CONSENT OF ALL SEASONS.						
FLORIDA NO:		E2500PI							
FL17125									
			DRAWN BY:	T.Jobb	DATE DRAWN:	1/27/14	SHEET SIZE:	A	2 OF 4



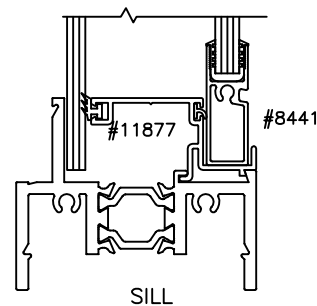
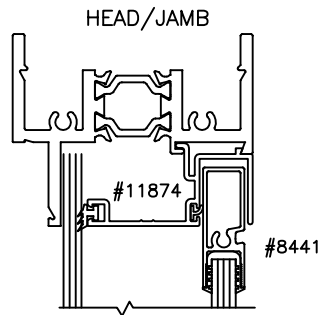
ALL SEASONS
 ARCHITECTURAL WINDOWS MFG.
 1293 N. Harvey Mitchell Pkwy.
 Phone: (979) 823-6557
 Fax: (979) 823-1005

IMPACT:	NO	COMPATIBLE SERIES:	FAMILY:	E2500	SCALE:	1:2	REVISION:	C	SHEET NUMBER
BLAST:	NO	E2500FF	DESCRIPTION: E2500 PROJECT OUT CROSS SECTION DETAILS						
TDI NO:	WIN-2020	E2500COS							
FLORIDA NO:	E2500PI		THIS DRAWING CONTAINS CONFIDENTIAL INFORMATION WHICH IS THE PROPERTY OF ALL SEASONS. RECEIPT OR POSSESSION OF REPRODUCTIONS OF THIS DRAWING OR POSSESSION OF REPRODUCTIONS OF THIS DRAWING DOES NOT CONFER ANY RIGHTS OR LICENSE TO USE INFORMATION CONTAINED HEREIN WITHOUT THE WRITTEN CONSENT OF ALL SEASONS.						
FL17125									
DRAWN BY:			T.Jobb	DATE DRAWN:		1/27/14	SHEET SIZE:		A

3
OF
4



LIFT OUT SASH



ALL SEASONS
 ARCHITECTURAL WINDOWS MFG.
 1293 N. Harvey Mitchell Pkwy.
 Phone: (979) 823-6557
 Fax: (979) 823-1005

IMPACT:	NO	COMPATIBLE SERIES:	E2500FF	FAMILY:	E2500	SCALE:	1:2	REVISION:	C	SHEET NUMBER
BLAST:	NO	TDI NO:	WIN-2020	DESCRIPTION:	E2500 PROJECT OUT NON-LAMINATED GLAZING DETAILS					
FLORIDA NO:	FL17125			THIS DRAWING CONTAINS CONFIDENTIAL INFORMATION WHICH IS THE PROPERTY OF ALL SEASONS. RECEIPT OR POSSESSION OF REPRODUCTIONS OF THIS DRAWING OR POSSESSION OF REPRODUCTIONS OF THIS DRAWING DOES NOT CONFER ANY RIGHTS OR LICENSE TO USE INFORMATION CONTAINED HEREIN WITHOUT THE WRITTEN CONSENT OF ALL SEASONS.						
				DRAWN BY:	T.Jobb	DATE DRAWN:	1/27/14	SHEET SIZE:	A	4 OF 4