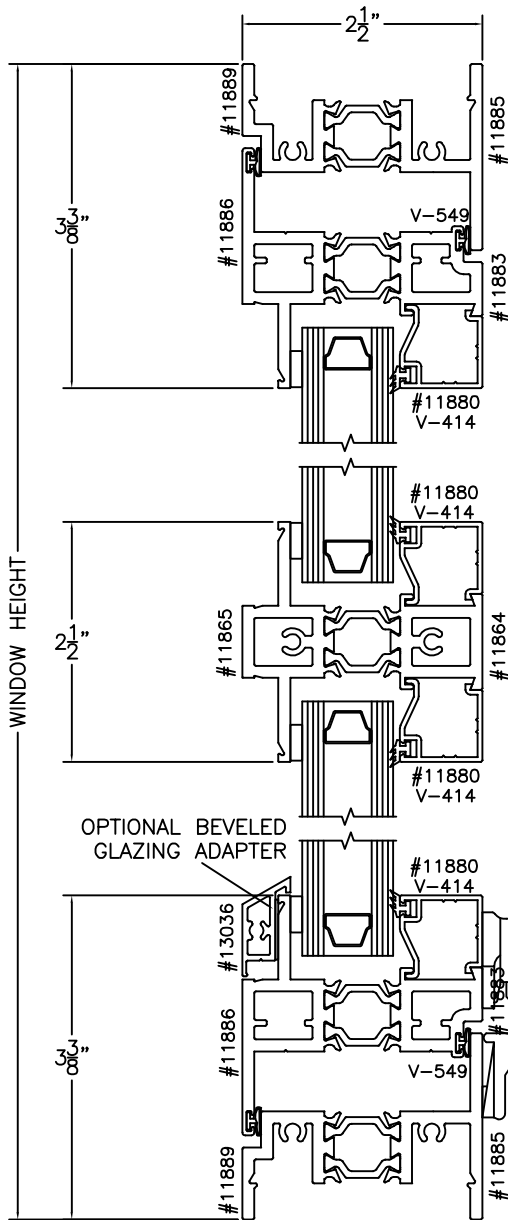


ALL SEASONS
 ARCHITECTURAL WINDOWS MFG.
 1293 N. Harvey Mitchell Pkwy.
 Phone: (979) 823-6557
 Fax: (979) 823-1005

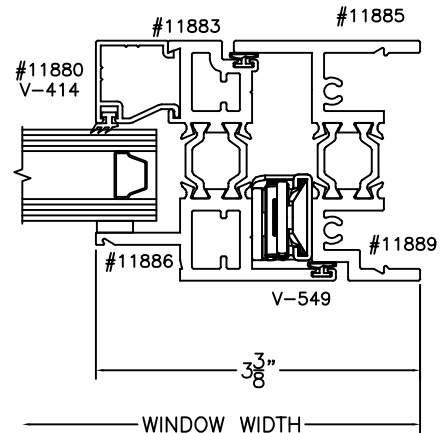
IMPACT:	NO	COMPATIBLE SERIES:	E2500FF	FAMILY:	E2500	SCALE:	1:2	REVISION:	C	SHEET NUMBER
BLAST:	NO	TDI NO:	WIN-2020	DESCRIPTION:	E2500 PROJECT OUT ELEVATIONS					1 OF 7
FLORIDA NO:	FL17125	COMPATIBLE SERIES:	E2500COS	THIS DRAWING CONTAINS CONFIDENTIAL INFORMATION WHICH IS THE PROPERTY OF ALL SEASONS. RECEIPT OR POSSESSION OF REPRODUCTIONS OF THIS DRAWING OR POSSESSION OF REPRODUCTIONS OF THIS DRAWING DOES NOT CONFER ANY RIGHTS OR LICENSE TO USE INFORMATION CONTAINED HEREIN WITHOUT THE WRITTEN CONSENT OF ALL SEASONS.						
FLORIDA NO:	FL17125	COMPATIBLE SERIES:	E2500PI	DRAWN BY:	T.Jobb	DATE DRAWN:	1/27/14	SHEET SIZE:	A	



1 FRAME HEAD

2 TRUE MUNTIN
 OPTIONAL VERTICAL
 OR HORIZONTAL
 (HORIZONTAL SHOWN)

3 FRAME SILL



4 FRAME JAMB

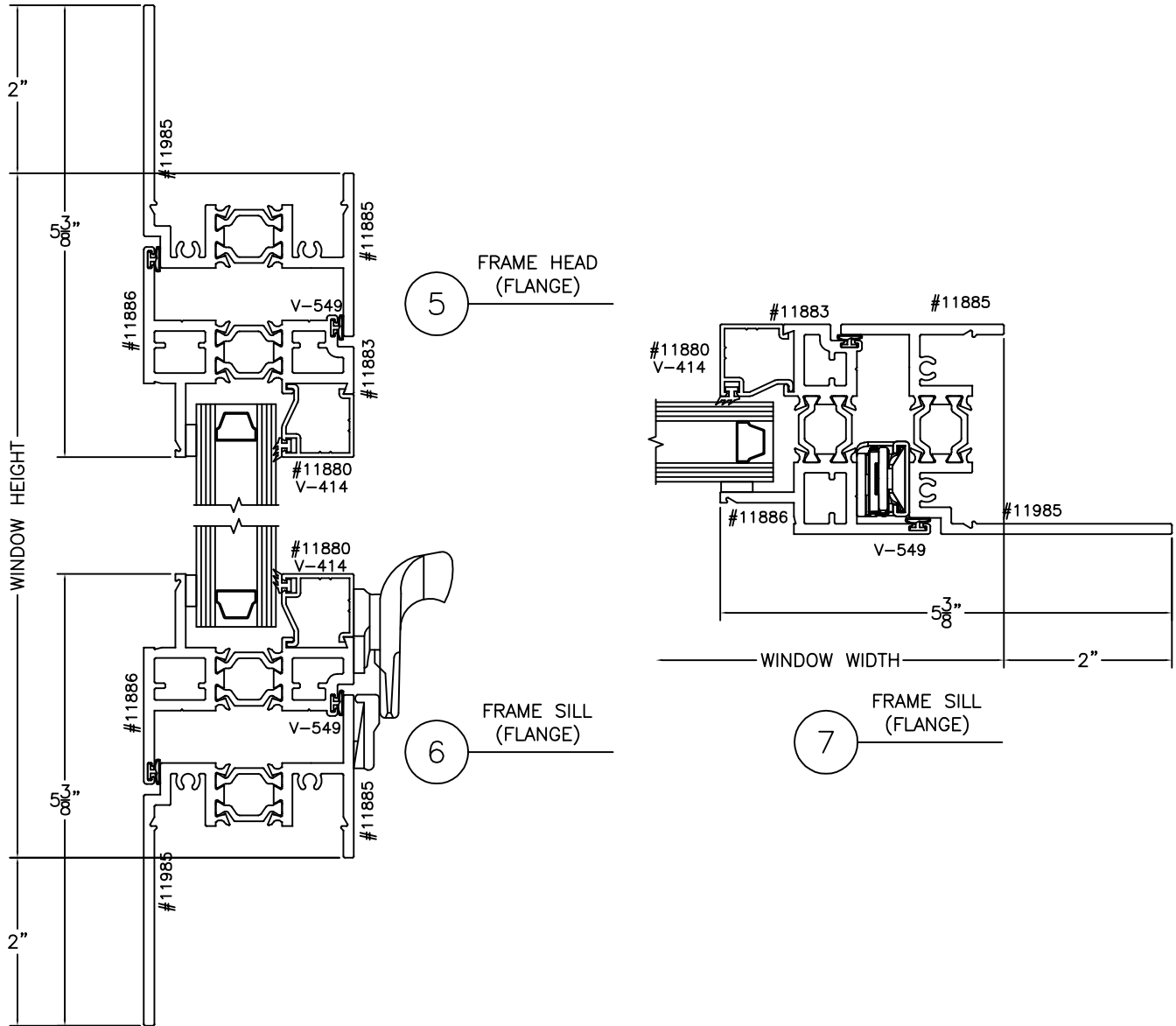
ALL SEASONS
 ARCHITECTURAL WINDOWS MFG.

1293 N. Harvey Mitchell Pkwy.
 Phone: (979) 823-6557
 Fax: (979) 823-1005

IMPACT:	NO	COMPATIBLE SERIES:	
BLAST:	NO	E2500FF	
TDI NO:	WIN-2020	E2500COS	
FLORIDA NO:		E2500PI	
FL17125			

FAMILY:	E2500	SCALE:	1:2	REVISION:	C
DESCRIPTION:	E2500 PROJECT OUT CROSS SECTION DETAILS				
THIS DRAWING CONTAINS CONFIDENTIAL INFORMATION WHICH IS THE PROPERTY OF ALL SEASONS. RECEIPT OR POSSESSION OF REPRODUCTIONS OF THIS DRAWING OR POSSESSION OF REPRODUCTIONS OF THIS DRAWING DOES NOT CONFER ANY RIGHTS OR LICENSE TO USE INFORMATION CONTAINED HEREIN WITHOUT THE WRITTEN CONSENT OF ALL SEASONS.					
DRAWN BY:	T.Jobb	DATE DRAWN:	1/27/14	SHEET SIZE:	A

SHEET NUMBER
2
 OF
7

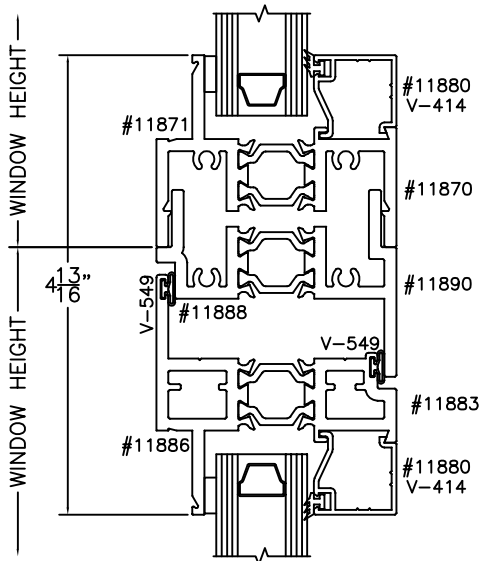


ALL SEASONS
ARCHITECTURAL WINDOWS MFG.

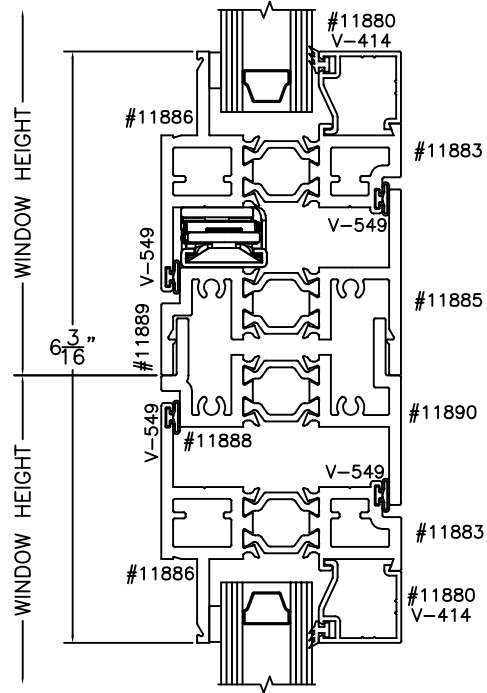
1293 N. Harvey Mitchell Pkwy.
Phone: (979) 823-6557
Fax: (979) 823-1005

IMPACT:	NO	COMPATIBLE SERIES:	FAMILY:	E2500	SCALE:	1:2	REVISION:	C	SHEET NUMBER
BLAST:	NO	E2500FF	DESCRIPTION: E2500 PROJECT OUT CROSS SECTION DETAILS						
TDI NO:	WIN-2020	E2500COS							
FLORIDA NO:	E2500PI		THIS DRAWING CONTAINS CONFIDENTIAL INFORMATION WHICH IS THE PROPERTY OF ALL SEASONS. RECEIPT OR POSSESSION OF REPRODUCTIONS OF THIS DRAWING OR POSSESSION OF REPRODUCTIONS OF THIS DRAWING DOES NOT CONFER ANY RIGHTS OR LICENSE TO USE INFORMATION CONTAINED HEREIN WITHOUT THE WRITTEN CONSENT OF ALL SEASONS.						
FL17125									
DRAWN BY:			T.Jobb	DATE DRAWN:		1/27/14	SHEET SIZE:		A

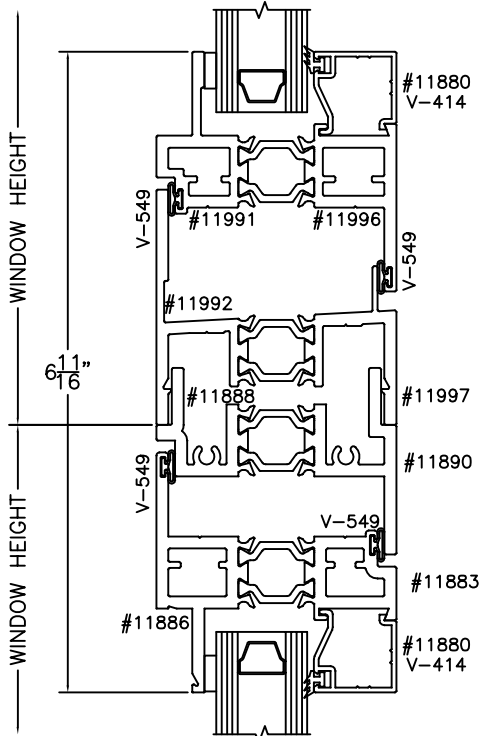
3
OF
7



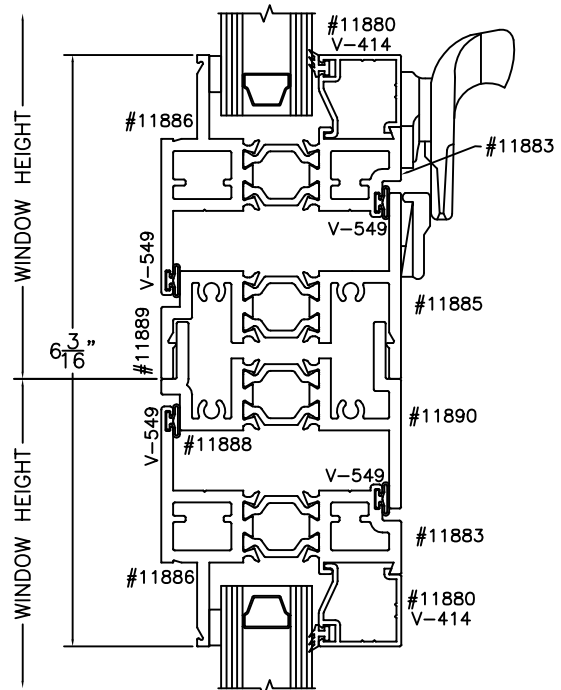
8 FF/PO STACK



9 COS/PO STACK



10 PI/PO STACK



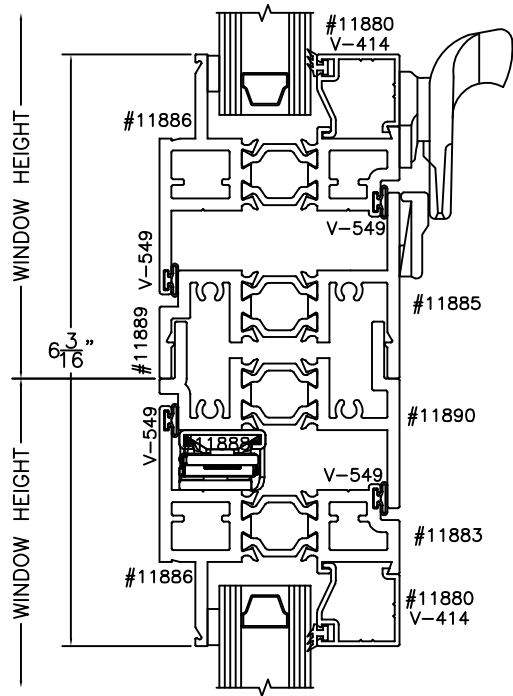
11 PO/PO STACK

ALL SEASONS
 ARCHITECTURAL WINDOWS MFG.
 1293 N. Harvey Mitchell Pkwy.
 Phone: (979) 823-6557
 Fax: (979) 823-1005

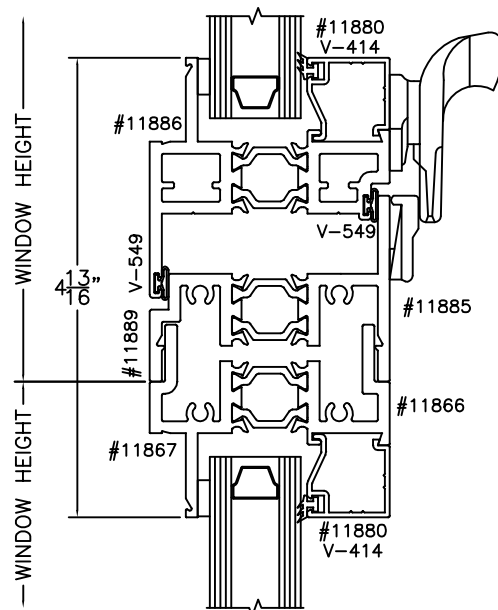
IMPACT:	NO	COMPATIBLE SERIES:	E2500FF
BLAST:	NO		E2500COS
TDI NO:	WIN-2020		E2500PI
FLORIDA NO:			
FL17125			

FAMILY:	E2500	SCALE:	1:2	REVISION:	C
DESCRIPTION:	E2500 PROJECT OUT CROSS SECTION DETAILS				
THIS DRAWING CONTAINS CONFIDENTIAL INFORMATION WHICH IS THE PROPERTY OF ALL SEASONS. RECEIPT OR POSSESSION OF REPRODUCTIONS OF THIS DRAWING OR POSSESSION OF REPRODUCTIONS OF THIS DRAWING DOES NOT CONFER ANY RIGHTS OR LICENSE TO USE INFORMATION CONTAINED HEREIN WITHOUT THE WRITTEN CONSENT OF ALL SEASONS.					
DRAWN BY:	T.Jobb	DATE DRAWN:	1/27/14	SHEET SIZE:	A

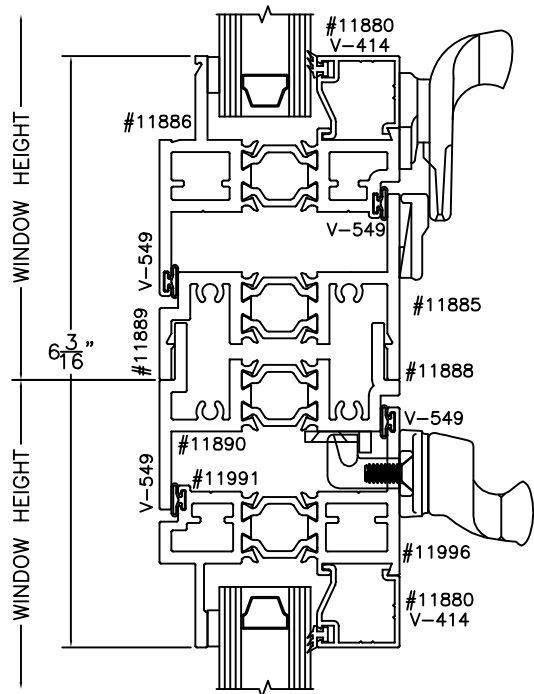
SHEET NUMBER
 4
 OF
 7



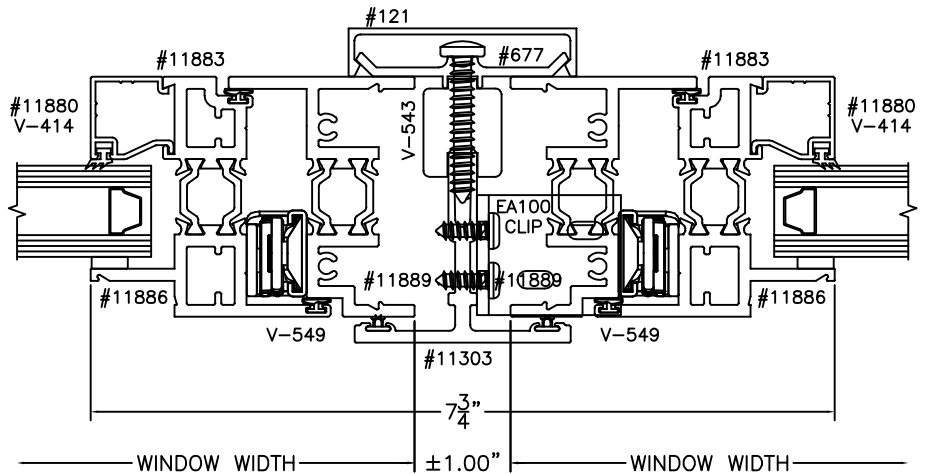
12 PO/COS STACK



13 PO/FF STACK



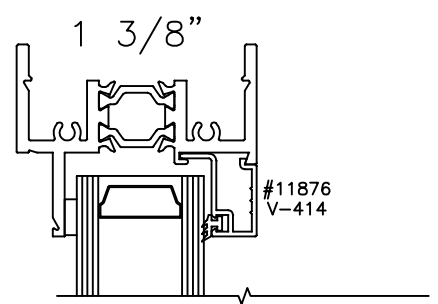
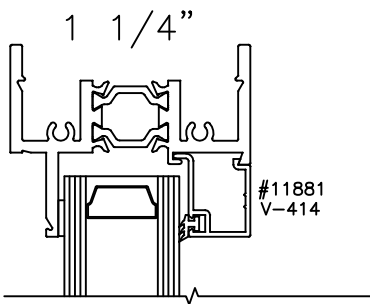
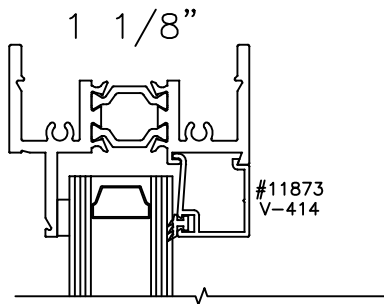
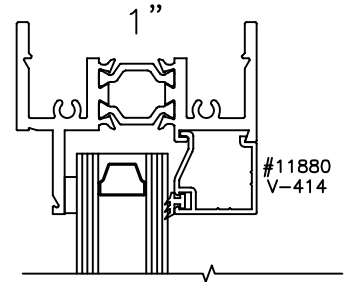
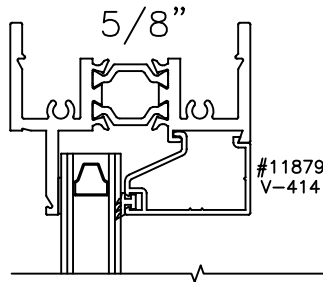
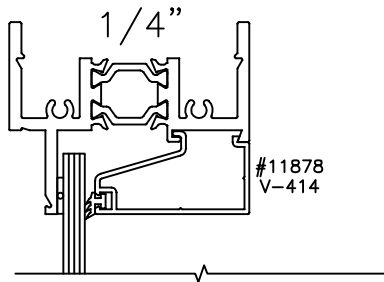
14 PO/PI STACK



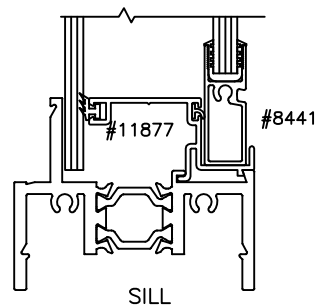
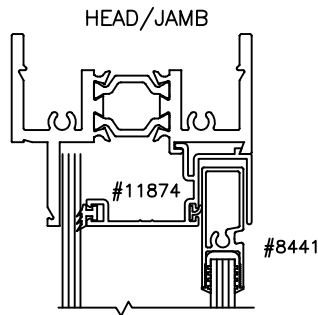
15 PO/PO MULL

ALL SEASONS
 ARCHITECTURAL WINDOWS MFG.
 1293 N. Harvey Mitchell Pkwy.
 Phone: (979) 823-6557
 Fax: (979) 823-1005

IMPACT:	NO	COMPATIBLE SERIES:	E2500FF	FAMILY:	E2500	SCALE:	1:2	REVISION:	C	SHEET NUMBER
BLAST:	NO		E2500COS	DESCRIPTION: E2500 PROJECT OUT CROSS SECTION DETAILS						
TDI NO:	WIN-2020		E2500PI							
FLORIDA NO:	FL17125			THIS DRAWING CONTAINS CONFIDENTIAL INFORMATION WHICH IS THE PROPERTY OF ALL SEASONS. RECEIPT OR POSSESSION OF REPRODUCTIONS OF THIS DRAWING OR POSSESSION OF REPRODUCTIONS OF THIS DRAWING DOES NOT CONFER ANY RIGHTS OR LICENSE TO USE INFORMATION CONTAINED HEREIN WITHOUT THE WRITTEN CONSENT OF ALL SEASONS.						



LIFT OUT SASH



ALL SEASONS
 ARCHITECTURAL WINDOWS MFG.
 1293 N. Harvey Mitchell Pkwy.
 Phone: (979) 823-6557
 Fax: (979) 823-1005

IMPACT:	NO	COMPATIBLE SERIES:	E2500FF	FAMILY:	E2500	SCALE:	1:2	REVISION:	C	SHEET NUMBER
BLAST:	NO		E2500COS	DESCRIPTION: E2500 PROJECT OUT NON-LAMINATED GLAZING DETAILS						
TDI NO:	WIN-2020		E2500PI							
FLORIDA NO:	FL17125			THIS DRAWING CONTAINS CONFIDENTIAL INFORMATION WHICH IS THE PROPERTY OF ALL SEASONS. RECEIPT OR POSSESSION OF REPRODUCTIONS OF THIS DRAWING OR POSSESSION OF REPRODUCTIONS OF THIS DRAWING DOES NOT CONFER ANY RIGHTS OR LICENSE TO USE INFORMATION CONTAINED HEREIN WITHOUT THE WRITTEN CONSENT OF ALL SEASONS.						

