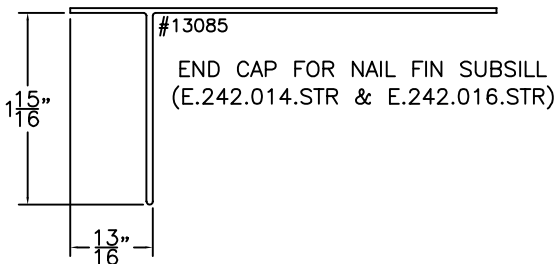
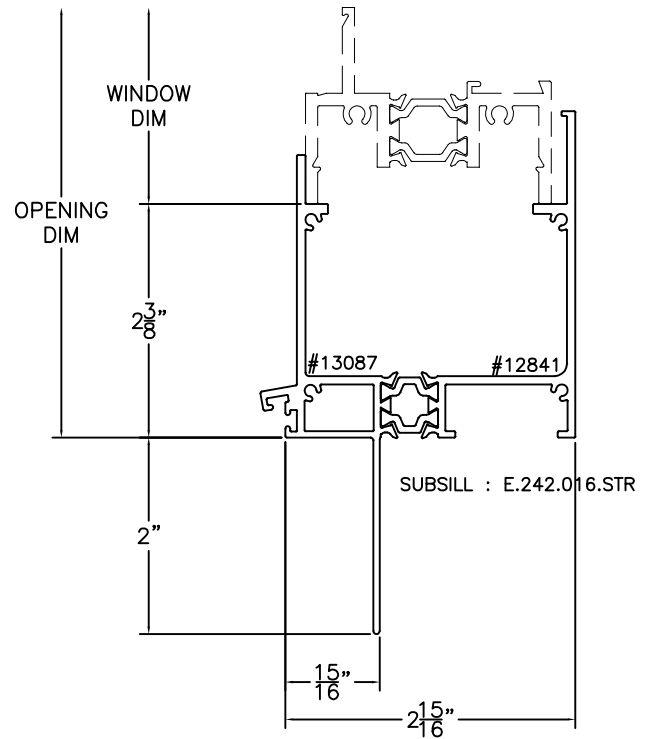
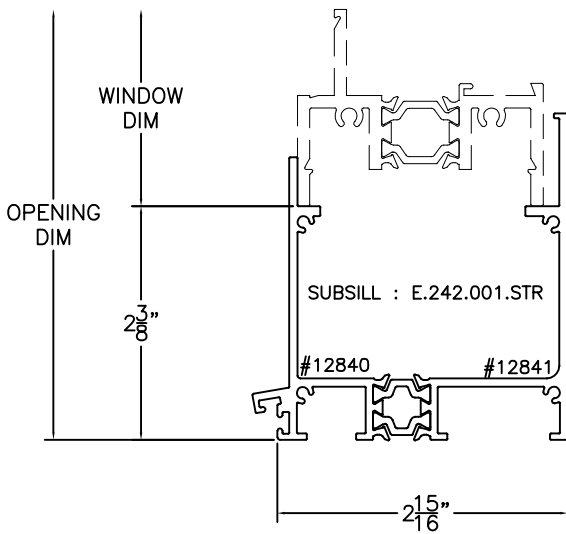
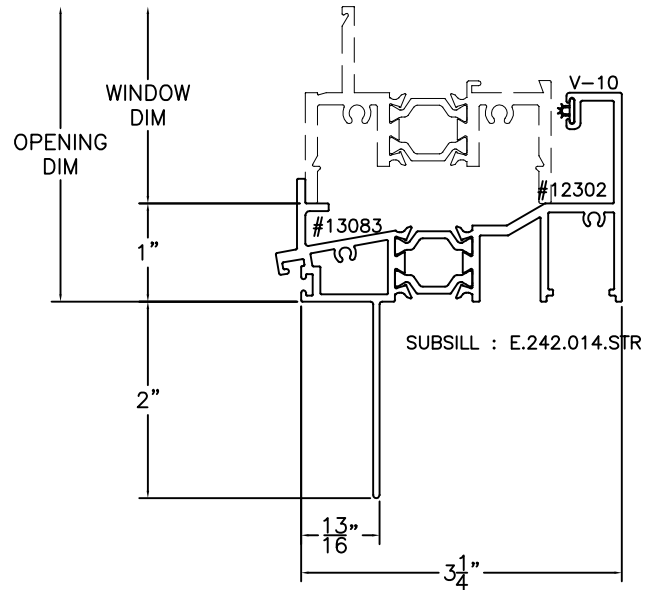
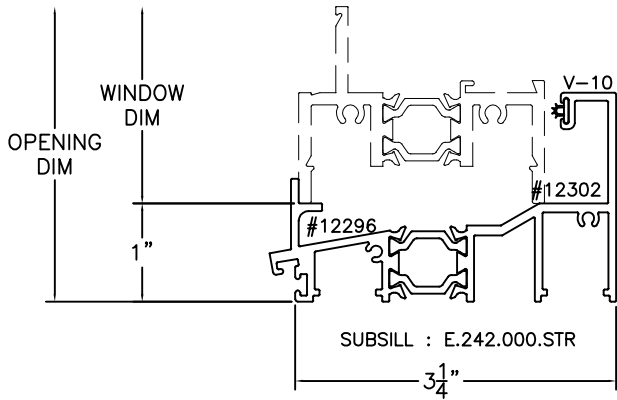


PART NO.	EXTRUSION	MATING COMPONENT	DESCRIPTION	SHEET
E.242.000.STR	E.12296 E.12302	MULTIPLE	2½" FRAME 7.0PSF SUBSILL (¾" DEPTH)	1 OF 1
E.242.001.STR	E.12840 E.12841	MULTIPLE	2½" FRAME 12.0PSF SUBSILL (2¹⁵⁄₁₆" DEPTH)	1 OF 1
E.242.014.STR	E.13083 E.12302	MULTIPLE	2½" FRAME 7.0PSF SUBSILL WITH NAIL FIN (¾" DEPTH)	1 OF 1
E.242.016.STR	E.13087 E.12841	MULTIPLE	2½" FRAME 12.0PSF SUBSILL WITH NAIL FIN (2¹⁵⁄₁₆" DEPTH)	1 OF 1



ALL SEASONS
ARCHITECTURAL WINDOWS MFG.
 1293 N. Harvey Mitchell Pkwy.
 Phone: (979) 823-6557
 Fax: (979) 823-1005

IMPACT:	NO	COMPATIBLE SERIES:	FAMILY:	E2500	SCALE:	1:2	REVISION:	C	SHEET NUMBER
BLAST:	NO	E2500FF	DESCRIPTION: E2500 FAMILY SURROUNDS SUBSILLS - 2 1/2" FRAME						
TDI NO:		E2500PO							
FLORIDA NO:		E2500COS	THIS DRAWING CONTAINS CONFIDENTIAL INFORMATION WHICH IS THE PROPERTY OF ALL SEASONS. RECEIPT OR POSSESSION OF REPRODUCTIONS OF THIS DRAWING OR POSSESSION OF REPRODUCTIONS OF THIS DRAWING DOES NOT CONFER ANY RIGHTS OR LICENSE TO USE INFORMATION CONTAINED HEREIN WITHOUT THE WRITTEN CONSENT OF ALL SEASONS.						
DRAWN BY: T.JOBB			DATE DRAWN: 1/31/14		SHEET SIZE: A				

1
OF
1