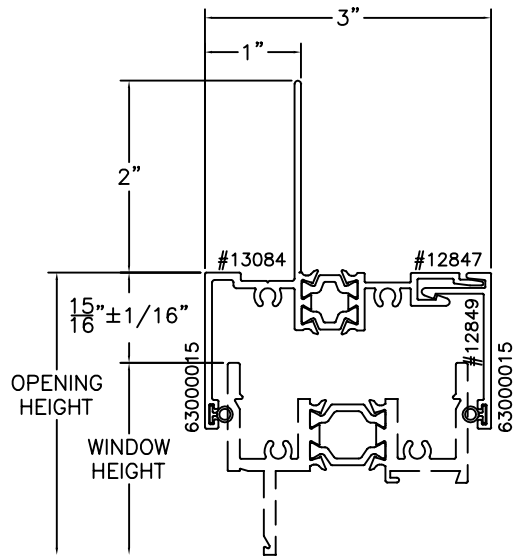
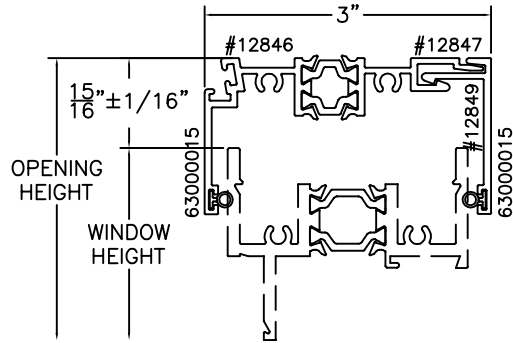



PART NO.	EXTRUSION	MATING COMPONENT	DESCRIPTION	SHEET
E.242.002.STR	E.12846	E.12849	2½" FRAME HEAD/JAMB CLOSURE (3" DEPTH)	1 OF 1
	E.12847			
E.242.015.STR	E.13084	E.12849	2½" FRAME HEAD/JAMB CLOSURE WITH NAIL FIN (3" DEPTH)	1 OF 1
	E.12847			



 <p>1293 N. Harvey Mitchell Pkwy. Phone: (979) 823-6557 Fax: (979) 823-1005</p>	IMPACT:	NO	COMPATIBLE SERIES:	E2500	SCALE:	1:2	REVISION:	C	SHEET NUMBER
	BLAST:	NO	E2500FF	DESCRIPTION:					
	TDI NO:		E2500PO	E2500 FAMILY SURROUNDS HEAD AND JAMB CLOSURES					
	FLORIDA NO:		E2500COS	THIS DRAWING CONTAINS CONFIDENTIAL INFORMATION WHICH IS THE PROPERTY OF ALL SEASONS. RECEIPT OR POSSESSION OF REPRODUCTIONS OF THIS DRAWING OR POSSESSION OF REPRODUCTIONS OF THIS DRAWING DOES NOT CONFER ANY RIGHTS OR LICENSE TO USE INFORMATION CONTAINED HEREIN WITHOUT THE WRITTEN CONSENT OF ALL SEASONS.					
				DRAWN BY:	T.Jobb	DATE DRAWN:	1/31/14	SHEET SIZE:	A