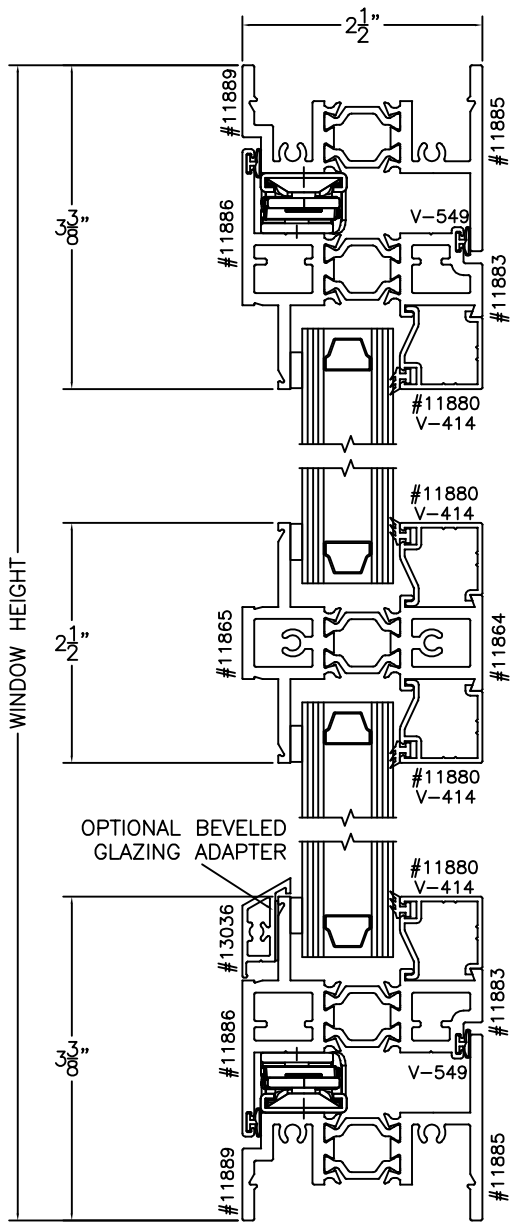


**ALL SEASONS**  
 ARCHITECTURAL WINDOWS MFG.  
 1293 N. Harvey Mitchell Pkwy.  
 Phone: (979) 823-6557  
 Fax: (979) 823-1005

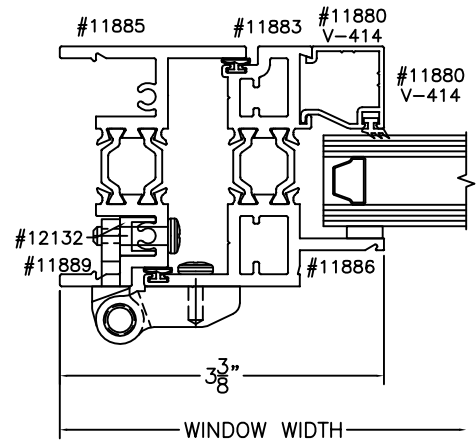
IMPACT:	NO	COMPATIBLE SERIES:	FAMILY: E2500	SCALE: 1:2	REVISION: C	SHEET NUMBER
BLAST:	NO	E2500FF	DESCRIPTION: E2500 CASEMENT OUT SWING ELEVATIONS			
TDI NO:	WIN-2016	E2500PI				THIS DRAWING CONTAINS CONFIDENTIAL INFORMATION WHICH IS THE PROPERTY OF ALL SEASONS. RECEIPT OR POSSESSION OF REPRODUCTIONS OF THIS DRAWING OR POSSESSION OF REPRODUCTIONS OF THIS DRAWING DOES NOT CONFER ANY RIGHTS OR LICENSE TO USE INFORMATION CONTAINED HEREIN WITHOUT THE WRITTEN CONSENT OF ALL SEASONS.
FLORIDA NO:		E2500PO	DRAWN BY: T.Jobb	DATE DRAWN: 1/27/14	SHEET SIZE: A	
FL17123						



1 FRAME HEAD

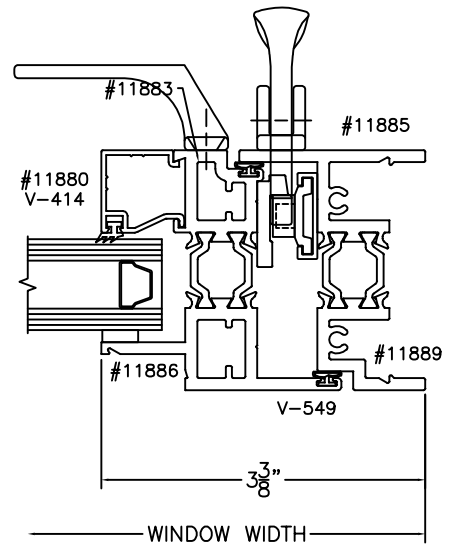
2 TRUE MUNTIN  
OPTIONAL VERTICAL  
OR HORIZONTAL  
(HORIZONTAL SHOWN)

3 FRAME SILL



4 FRAME JAMB

LEFT HAND HINGE  
SHOWN (RIGHT HAND  
OPPOSITE)



5 FRAME JAMB

LEFT HAND HINGE  
SHOWN (RIGHT HAND  
OPPOSITE)

**ALL SEASONS**  
ARCHITECTURAL WINDOWS MFG.

1293 N. Harvey Mitchell Pkwy.  
Phone: (979) 823-6557  
Fax: (979) 823-1005

IMPACT:	NO	COMPATIBLE SERIES:	
BLAST:	NO	E2500FF	
TDI NO:	WIN-2016	E2500PI	
FLORIDA NO:		E2500PO	
FL17123			

FAMILY: E2500

SCALE: 1:2

REVISION: C

SHEET NUMBER

DESCRIPTION:

E2500 CASEMENT OUT SWING  
CROSS SECTION DETAILS

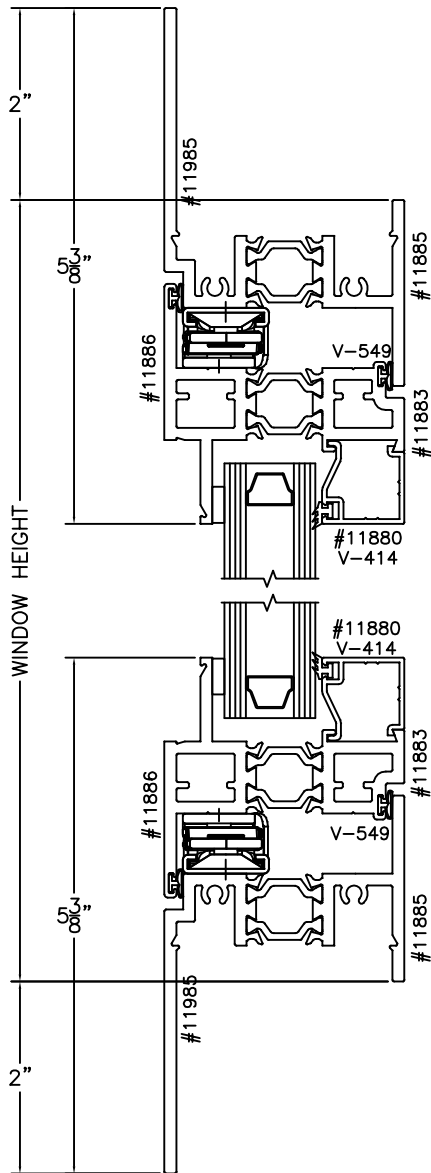
THIS DRAWING CONTAINS CONFIDENTIAL INFORMATION WHICH IS THE PROPERTY OF ALL SEASONS. RECEIPT OR POSSESSION OF REPRODUCTIONS OF THIS DRAWING OR POSSESSION OF REPRODUCTIONS OF THIS DRAWING DOES NOT CONFER ANY RIGHTS OR LICENSE TO USE INFORMATION CONTAINED HEREIN WITHOUT THE WRITTEN CONSENT OF ALL SEASONS.

DRAWN BY: T.Jobb

DATE DRAWN: 1/27/14

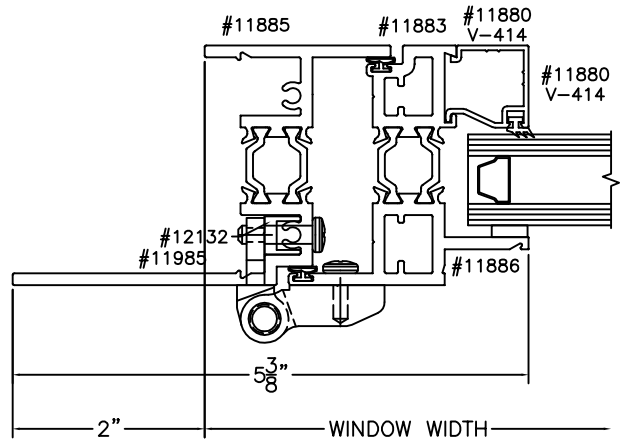
SHEET SIZE: A

2  
OF  
4

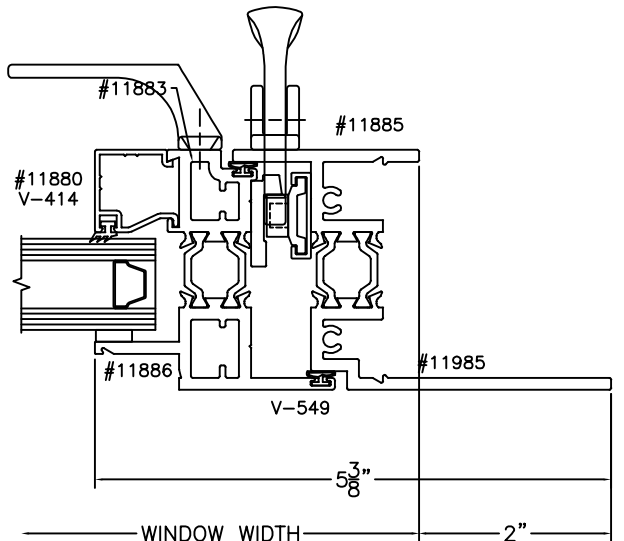


6 FRAME HEAD (FLANGE)

7 FRAME SILL (FLANGE)



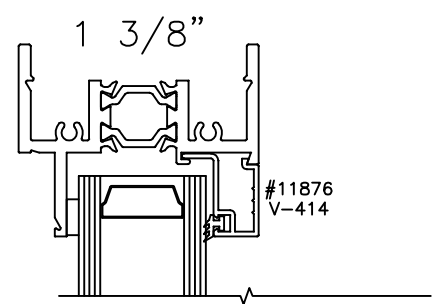
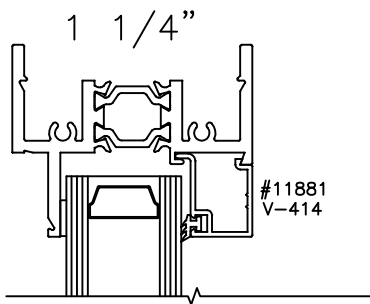
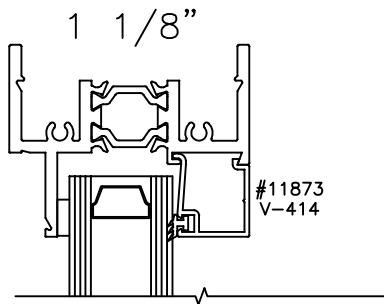
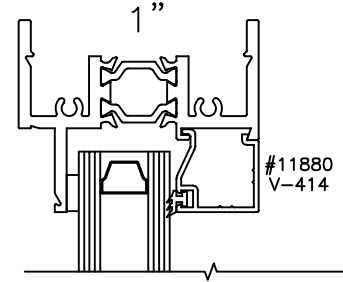
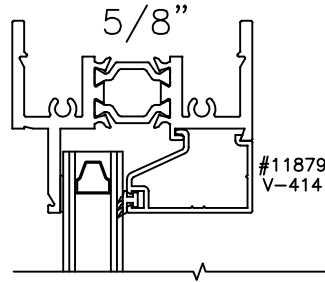
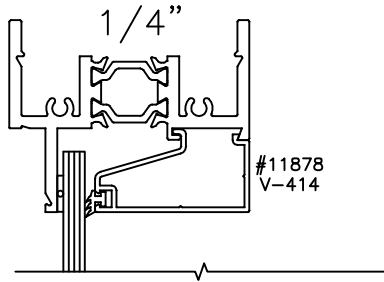
8 FRAME JAMB  
LEFT HAND HINGE  
SHOWN (RIGHT HAND  
OPPOSITE)



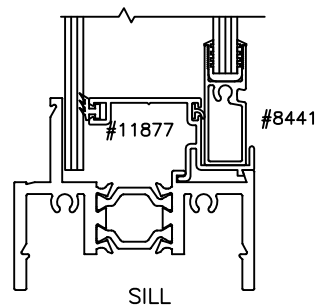
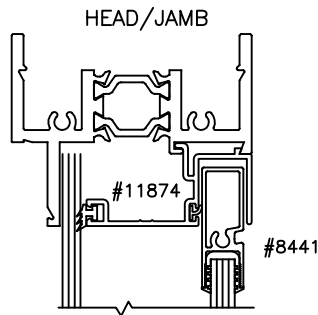
9 FRAME JAMB  
LEFT HAND HINGE  
SHOWN (RIGHT HAND  
OPPOSITE)

**ALL SEASONS**  
ARCHITECTURAL WINDOWS MFG.  
1293 N. Harvey Mitchell Pkwy.  
Phone: (979) 823-6557  
Fax: (979) 823-1005

IMPACT:	NO	COMPATIBLE SERIES:	FAMILY:	E2500	SCALE:	1:2	REVISION:	C	SHEET NUMBER
BLAST:	NO	E2500FF	DESCRIPTION:	E2500 CASEMENT OUT SWING CROSS SECTION DETAILS					
TDI NO:	WIN-2016	E2500PI	THIS DRAWING CONTAINS CONFIDENTIAL INFORMATION WHICH IS THE PROPERTY OF ALL SEASONS. RECEIPT OR POSSESSION OF REPRODUCTIONS OF THIS DRAWING OR POSSESSION OF REPRODUCTIONS OF THIS DRAWING DOES NOT CONFER ANY RIGHTS OR LICENSE TO USE INFORMATION CONTAINED HEREIN WITHOUT THE WRITTEN CONSENT OF ALL SEASONS.						
FLORIDA NO:	FL17123	E2500PO							



LIFT OUT SASH



**ALL SEASONS**  
 ARCHITECTURAL WINDOWS MFG.  
 1293 N. Harvey Mitchell Pkwy.  
 Phone: (979) 823-6557  
 Fax: (979) 823-1005

IMPACT:	NO	COMPATIBLE SERIES:	FAMILY:	E2500	SCALE:	1:2	REVISION:	C	SHEET NUMBER
BLAST:	NO	E2500FF	DESCRIPTION:	E2500 CASEMENT OUT SWING NON-LAMINATED GLAZING DETAILS					
TDI NO:	WIN-2016	E2500PI	THIS DRAWING CONTAINS CONFIDENTIAL INFORMATION WHICH IS THE PROPERTY OF ALL SEASONS. RECEIPT OR POSSESSION OF REPRODUCTIONS OF THIS DRAWING OR POSSESSION OF REPRODUCTIONS OF THIS DRAWING DOES NOT CONFER ANY RIGHTS OR LICENSE TO USE INFORMATION CONTAINED HEREIN WITHOUT THE WRITTEN CONSENT OF ALL SEASONS.						
FLORIDA NO:	FL17123	E2500PO							

4  
OF  
4