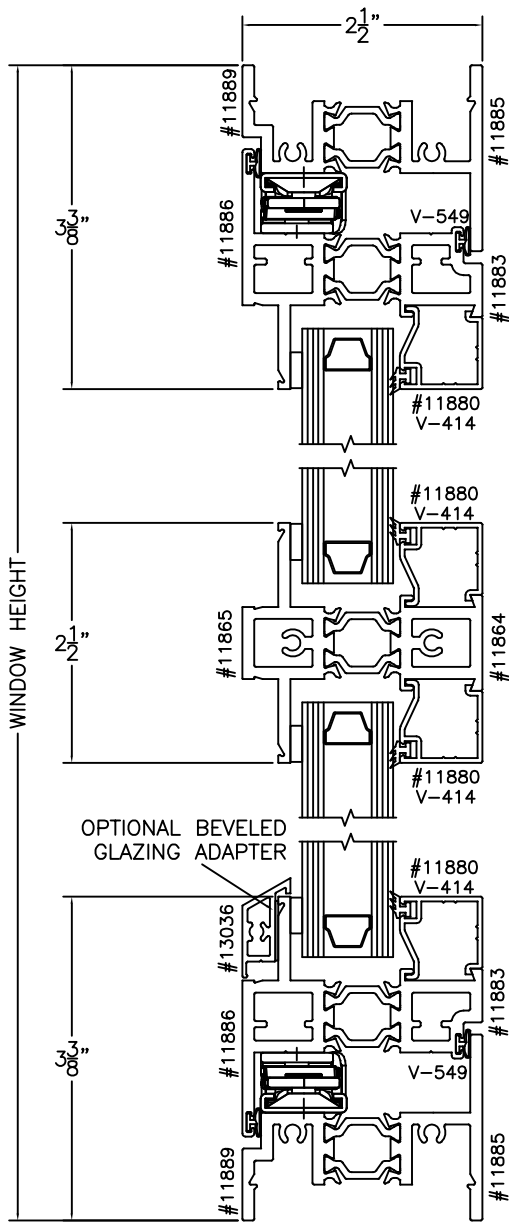


ALL SEASONS
 ARCHITECTURAL WINDOWS MFG.
 1293 N. Harvey Mitchell Pkwy.
 Phone: (979) 823-6557
 Fax: (979) 823-1005

IMPACT:	NO	COMPATIBLE SERIES:	E2500	SCALE:	1:2	REVISION:	C	SHEET NUMBER
BLAST:	NO	E2500FF	DESCRIPTION:		E2500 CASEMENT OUT SWING ELEVATIONS			
TDI NO:	WIN-2016	E2500PI	THIS DRAWING CONTAINS CONFIDENTIAL INFORMATION WHICH IS THE PROPERTY OF ALL SEASONS. RECEIPT OR POSSESSION OF REPRODUCTIONS OF THIS DRAWING OR POSSESSION OF REPRODUCTIONS OF THIS DRAWING DOES NOT CONFER ANY RIGHTS OR LICENSE TO USE INFORMATION CONTAINED HEREIN WITHOUT THE WRITTEN CONSENT OF ALL SEASONS.					
FLORIDA NO:	FL17123	E2500PO						
			DRAWN BY:	T.Jobb	DATE DRAWN:	1/27/14	SHEET SIZE:	A

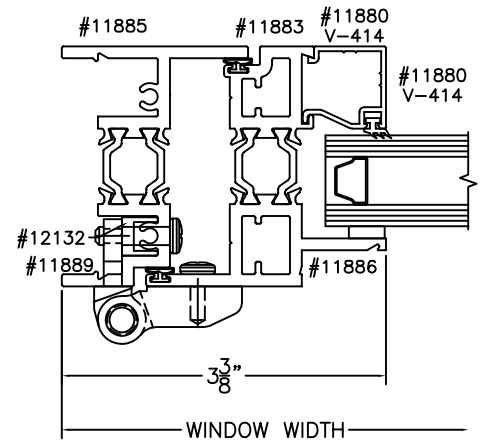
1
OF
7



1 FRAME HEAD

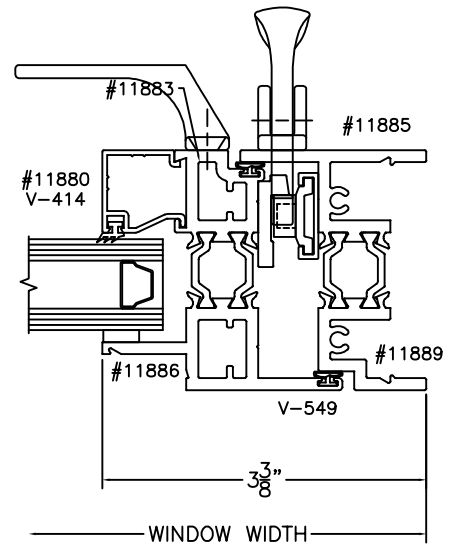
2 TRUE MUNTIN
OPTIONAL VERTICAL
OR HORIZONTAL
(HORIZONTAL SHOWN)

3 FRAME SILL



4 FRAME JAMB

LEFT HAND HINGE
SHOWN (RIGHT HAND
OPPOSITE)



5 FRAME JAMB

LEFT HAND HINGE
SHOWN (RIGHT HAND
OPPOSITE)

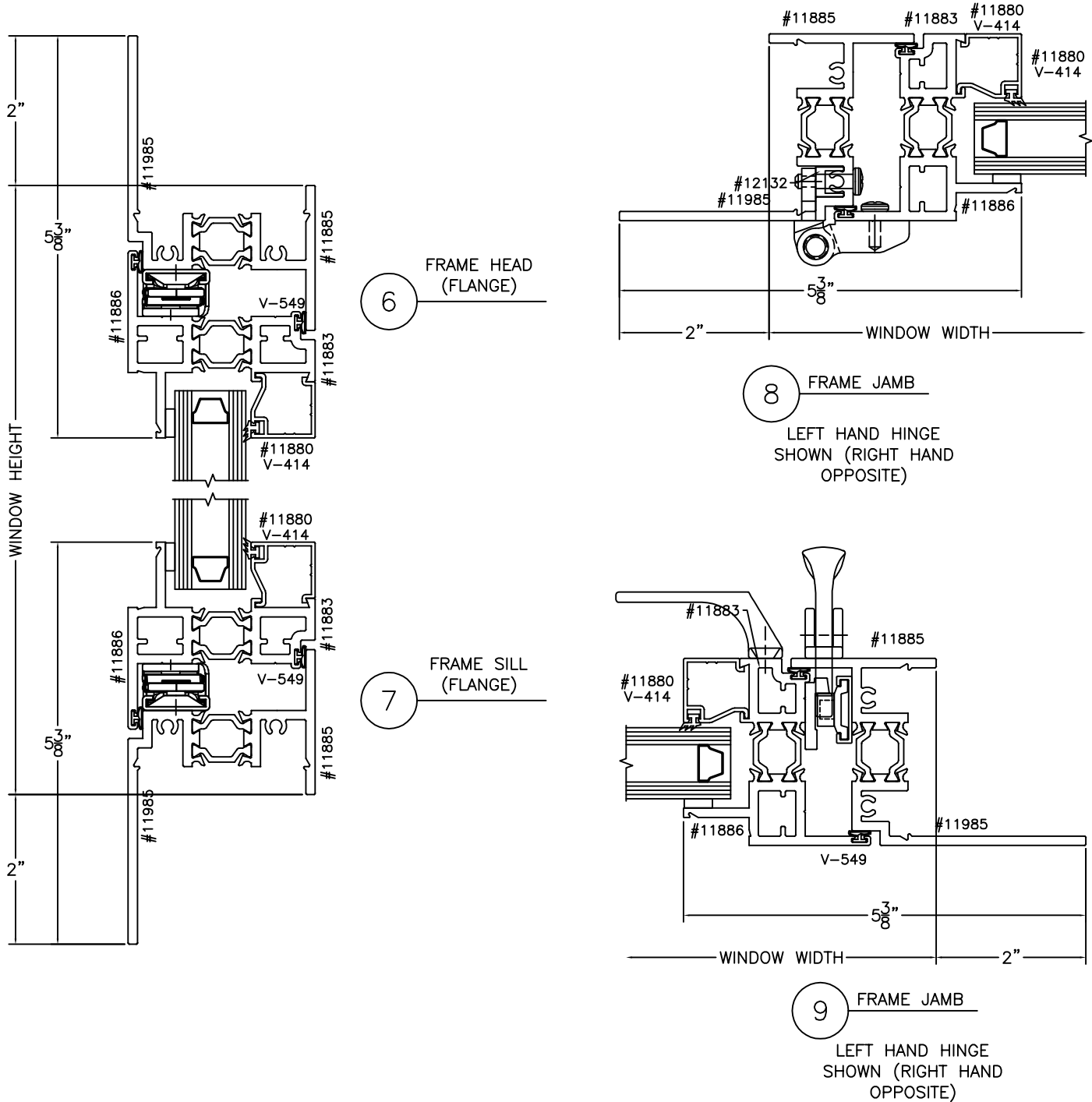
ALL SEASONS
ARCHITECTURAL WINDOWS MFG.

1293 N. Harvey Mitchell Pkwy.
Phone: (979) 823-6557
Fax: (979) 823-1005

IMPACT:	NO	COMPATIBLE SERIES:	
BLAST:	NO	E2500FF	
TDI NO:	WIN-2016	E2500PI	
FLORIDA NO:		E2500PO	
FL17123			

FAMILY:	E2500	SCALE:	1:2	REVISION:	C
DESCRIPTION:	E2500 CASEMENT OUT SWING CROSS SECTION DETAILS				
THIS DRAWING CONTAINS CONFIDENTIAL INFORMATION WHICH IS THE PROPERTY OF ALL SEASONS. RECEIPT OR POSSESSION OF REPRODUCTIONS OF THIS DRAWING OR POSSESSION OF REPRODUCTIONS OF THIS DRAWING DOES NOT CONFER ANY RIGHTS OR LICENSE TO USE INFORMATION CONTAINED HEREIN WITHOUT THE WRITTEN CONSENT OF ALL SEASONS.					
DRAWN BY:	T.Jobb	DATE DRAWN:	1/27/14	SHEET SIZE:	A

SHEET NUMBER
2
OF
7

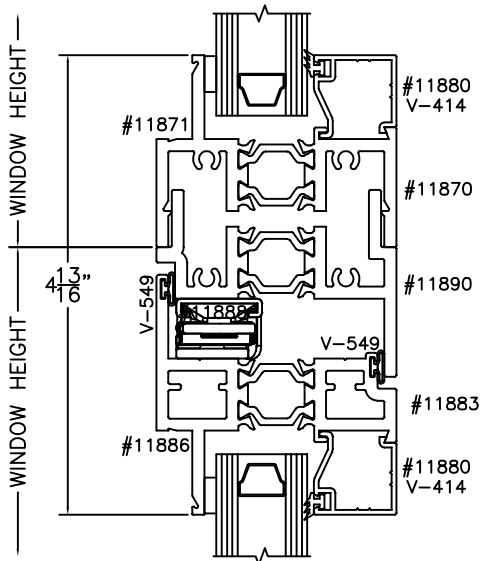


ALL SEASONS
ARCHITECTURAL WINDOWS MFG.

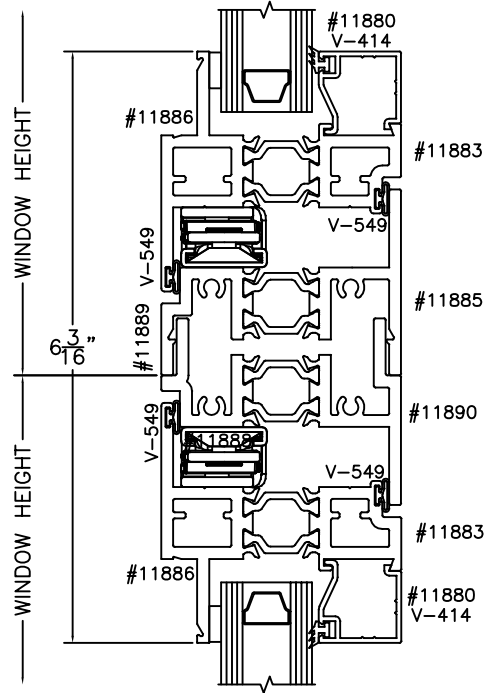
1293 N. Harvey Mitchell Pkwy.
Phone: (979) 823-6557
Fax: (979) 823-1005

IMPACT:	NO	COMPATIBLE SERIES:	FAMILY:	E2500	SCALE:	1:2	REVISION:	C	SHEET NUMBER
BLAST:	NO	E2500FF	DESCRIPTION:	E2500 CASEMENT OUT SWING CROSS SECTION DETAILS					
TDI NO:	WIN-2016	E2500PI	THIS DRAWING CONTAINS CONFIDENTIAL INFORMATION WHICH IS THE PROPERTY OF ALL SEASONS. RECEIPT OR POSSESSION OF REPRODUCTIONS OF THIS DRAWING OR POSSESSION OF REPRODUCTIONS OF THIS DRAWING DOES NOT CONFER ANY RIGHTS OR LICENSE TO USE INFORMATION CONTAINED HEREIN WITHOUT THE WRITTEN CONSENT OF ALL SEASONS.						
FLORIDA NO:		E2500PO							
FL17123									

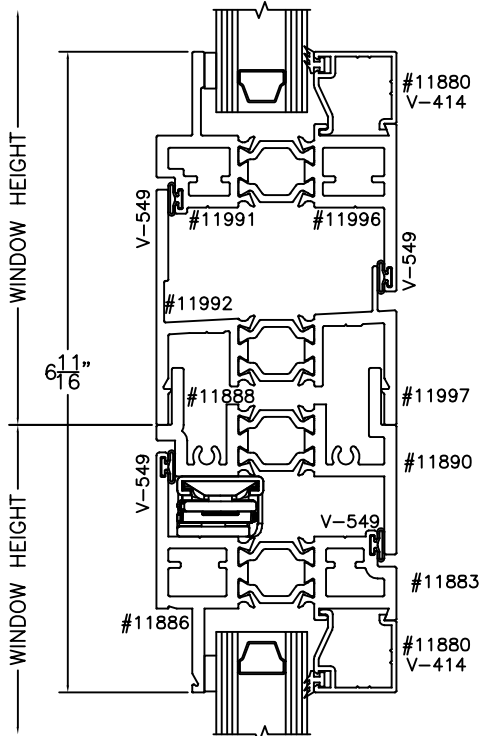
3 OF 7



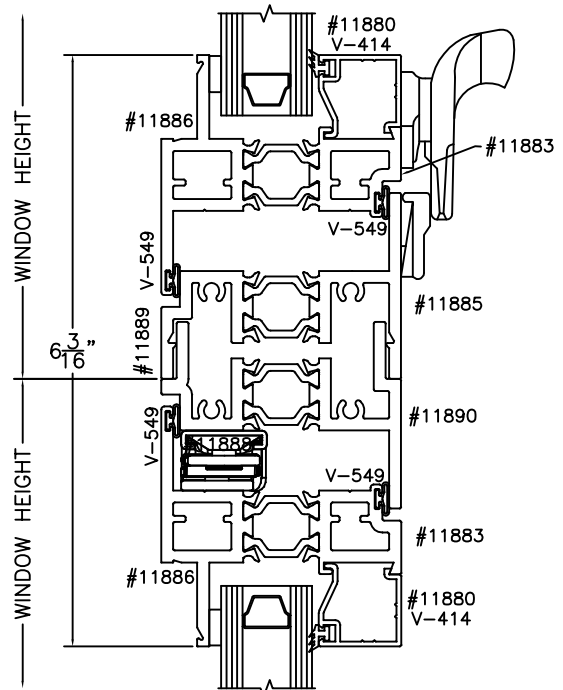
10 FF/COS STACK



11 COS/COS STACK



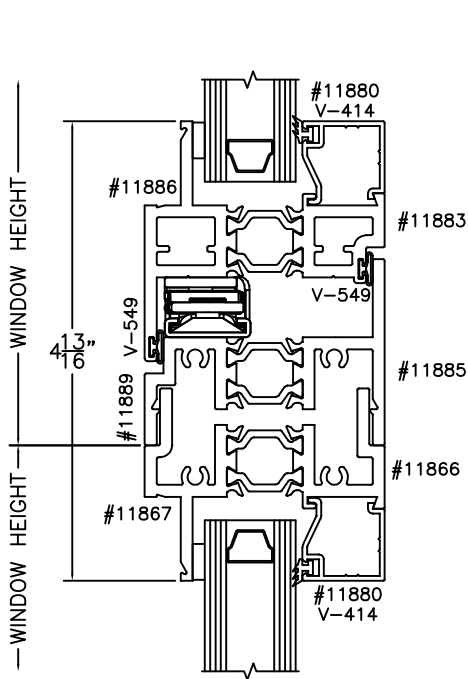
12 PI/COS STACK



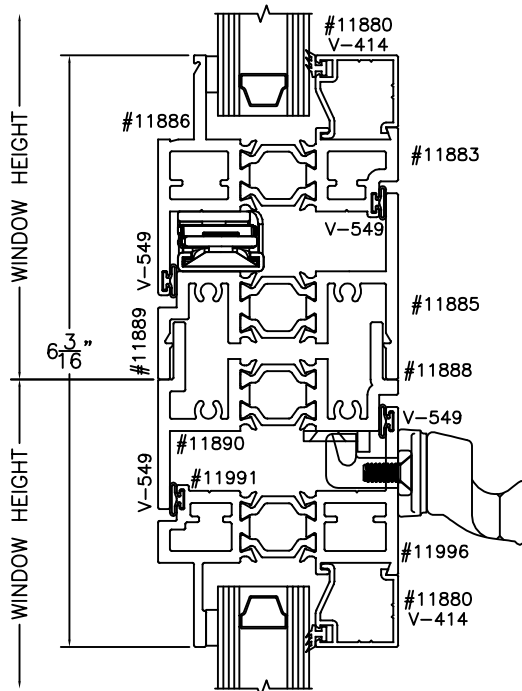
13 PO/COS STACK

ALL SEASONS
 ARCHITECTURAL WINDOWS MFG.
 1293 N. Harvey Mitchell Pkwy.
 Phone: (979) 823-6557
 Fax: (979) 823-1005

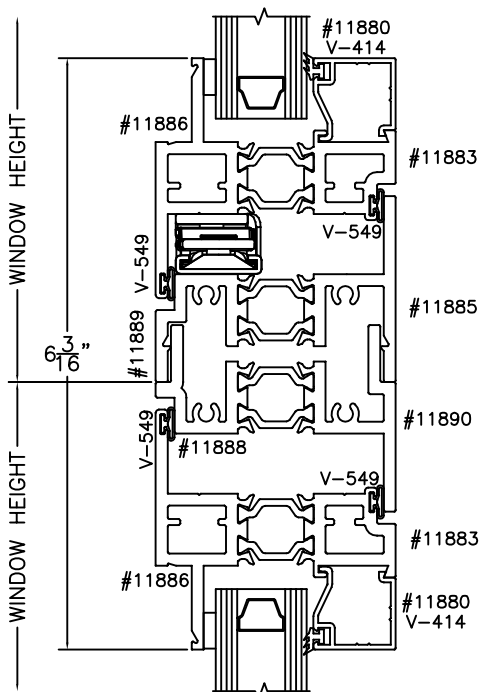
IMPACT:	NO	COMPATIBLE SERIES:	E2500	SCALE:	1:2	REVISION:	C	SHEET NUMBER
BLAST:	NO	E2500FF	DESCRIPTION: E2500 CASEMENT OUT SWING CROSS SECTION DETAILS					
TDI NO:	WIN-2016	E2500PI						
FLORIDA NO:	FL17123	E2500PO						
THIS DRAWING CONTAINS CONFIDENTIAL INFORMATION WHICH IS THE PROPERTY OF ALL SEASONS. RECEIPT OR POSSESSION OF REPRODUCTIONS OF THIS DRAWING OR POSSESSION OF REPRODUCTIONS OF THIS DRAWING DOES NOT CONFER ANY RIGHTS OR LICENSE TO USE INFORMATION CONTAINED HEREIN WITHOUT THE WRITTEN CONSENT OF ALL SEASONS.			DRAWN BY:	T.Jobb	DATE DRAWN:	1/27/14	SHEET SIZE:	A



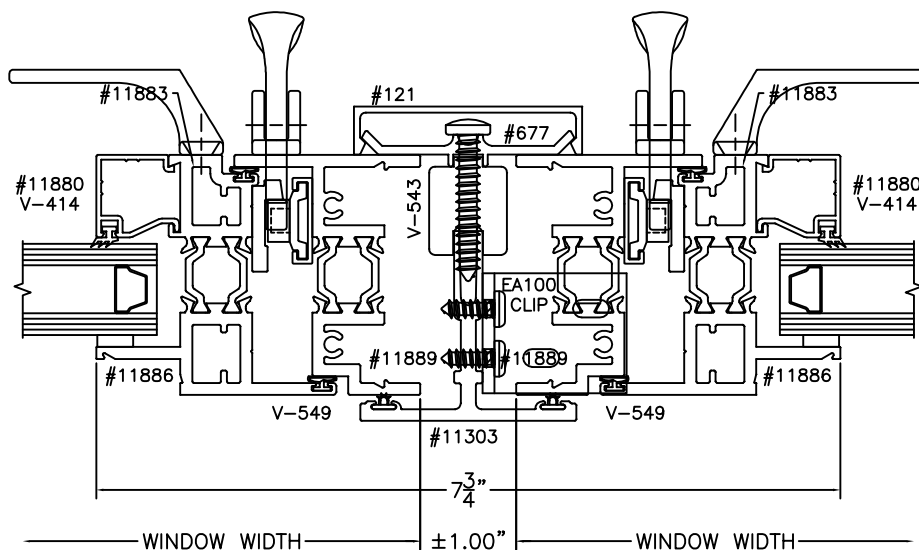
14 COS/FF STACK



15 COS/PI STACK



16 COS/PO STACK



17 COS/COS MULL

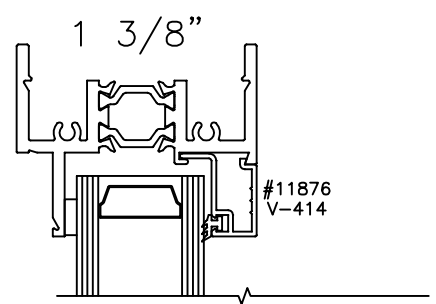
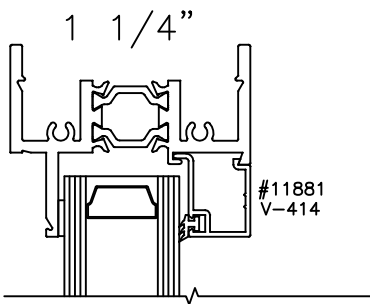
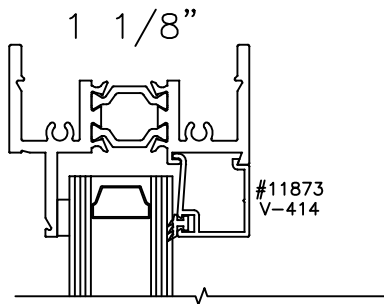
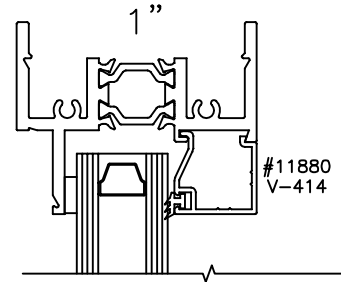
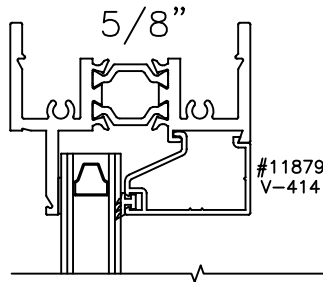
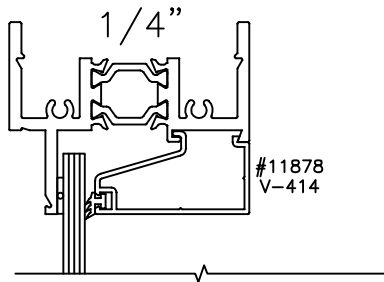
ALL SEASONS
ARCHITECTURAL WINDOWS MFG.

1293 N. Harvey Mitchell Pkwy.
Phone: (979) 823-6557
Fax: (979) 823-1005

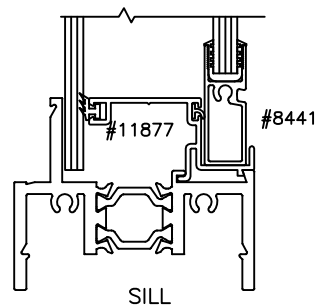
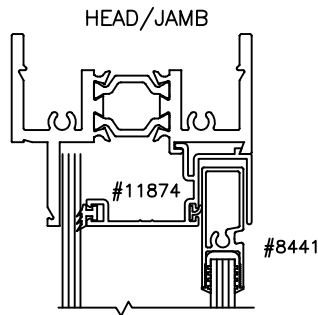
IMPACT:	NO	COMPATIBLE SERIES:	E2500FF
BLAST:	NO		E2500PI
TDI NO:	WIN-2016		E2500PO
FLORIDA NO:			
FL17123			

FAMILY:	E2500	SCALE:	1:2	REVISION:	C
DESCRIPTION:	E2500 CASEMENT OUT SWING CROSS SECTION DETAILS				
THIS DRAWING CONTAINS CONFIDENTIAL INFORMATION WHICH IS THE PROPERTY OF ALL SEASONS. RECEIPT OR POSSESSION OF REPRODUCTIONS OF THIS DRAWING OR POSSESSION OF REPRODUCTIONS OF THIS DRAWING DOES NOT CONFER ANY RIGHTS OR LICENSE TO USE INFORMATION CONTAINED HEREIN WITHOUT THE WRITTEN CONSENT OF ALL SEASONS.					
DRAWN BY:	T.Jobb	DATE DRAWN:	1/27/14	SHEET SIZE:	A

SHEET NUMBER
5
OF
7



LIFT OUT SASH

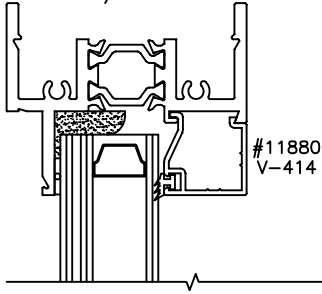


ALL SEASONS
 ARCHITECTURAL WINDOWS MFG.
 1293 N. Harvey Mitchell Pkwy.
 Phone: (979) 823-6557
 Fax: (979) 823-1005

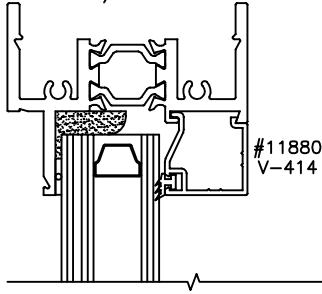
IMPACT:	NO	COMPATIBLE SERIES:	FAMILY:	E2500	SCALE:	1:2	REVISION:	C	SHEET NUMBER
BLAST:	NO	E2500FF	DESCRIPTION:	E2500 CASEMENT OUT SWING NON-LAMINATED GLAZING DETAILS					
TDI NO:	WIN-2016	E2500PI	THIS DRAWING CONTAINS CONFIDENTIAL INFORMATION WHICH IS THE PROPERTY OF ALL SEASONS. RECEIPT OR POSSESSION OF REPRODUCTIONS OF THIS DRAWING OR POSSESSION OF REPRODUCTIONS OF THIS DRAWING DOES NOT CONFER ANY RIGHTS OR LICENSE TO USE INFORMATION CONTAINED HEREIN WITHOUT THE WRITTEN CONSENT OF ALL SEASONS.						
FLORIDA NO:	FL17123	E2500PO							

6
OF
7

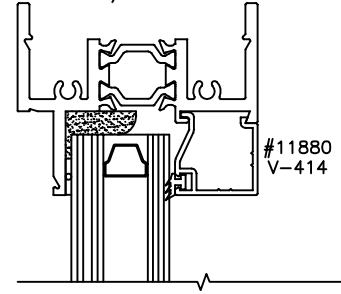
1/8" - 0.090 PVB - 1/8"
WITH 1/8" INBOARD



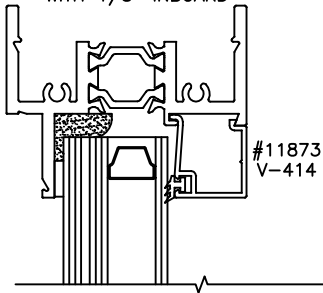
1/8" - 0.090 PVB - 1/8"
WITH 3/16" INBOARD



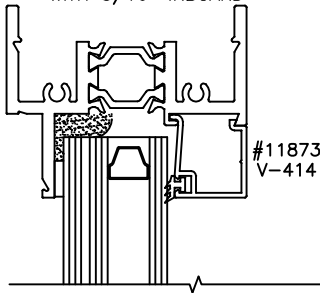
1/8" - 0.090 PVB - 1/8"
WITH 1/4" INBOARD



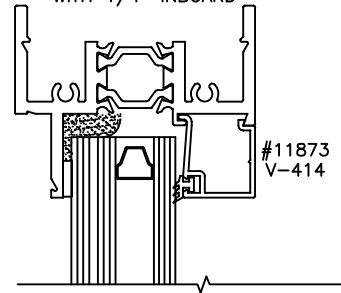
3/16" - 0.090 PVB - 3/16"
WITH 1/8" INBOARD



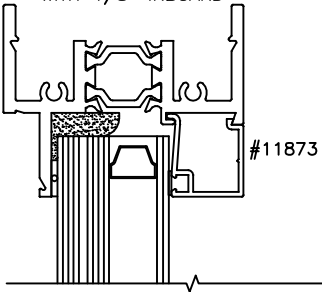
3/16" - 0.090 PVB - 3/16"
WITH 3/16" INBOARD



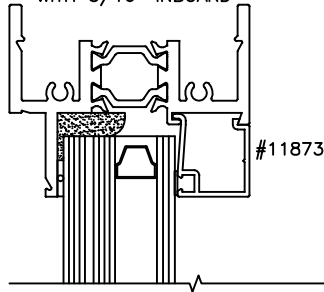
3/16" - 0.090 PVB - 3/16"
WITH 1/4" INBOARD



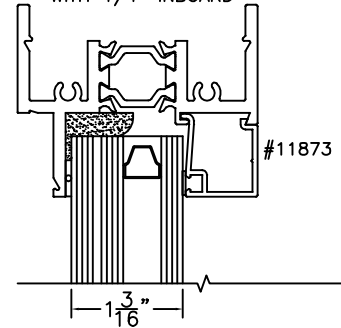
1/4" - 0.090 PVB - 1/4"
WITH 1/8" INBOARD



1/4" - 0.090 PVB - 1/4"
WITH 3/16" INBOARD



1/4" - 0.090 PVB - 1/4"
WITH 1/4" INBOARD



ALL SEASONS
ARCHITECTURAL WINDOWS MFG.
1293 N. Harvey Mitchell Pkwy.
Phone: (979) 823-6557
Fax: (979) 823-1005

IMPACT:	NO	COMPATIBLE SERIES:	E2500	SCALE:	1:2	REVISION:	C	SHEET NUMBER
BLAST:	NO	E2500FF	DESCRIPTION: E2500 CASEMENT OUT SWING LAMINATED GLAZING DETAILS					
TDI NO:	WIN-2016	E2500PI						
FLORIDA NO:		E2500PO						
	FL17123		THIS DRAWING CONTAINS CONFIDENTIAL INFORMATION WHICH IS THE PROPERTY OF ALL SEASONS. RECEIPT OR POSSESSION OF REPRODUCTIONS OF THIS DRAWING OR POSSESSION OF REPRODUCTIONS OF THIS DRAWING DOES NOT CONFER ANY RIGHTS OR LICENSE TO USE INFORMATION CONTAINED HEREIN WITHOUT THE WRITTEN CONSENT OF ALL SEASONS.					
			DRAWN BY:	T.Jobb	DATE DRAWN:	1/27/14	SHEET SIZE:	A