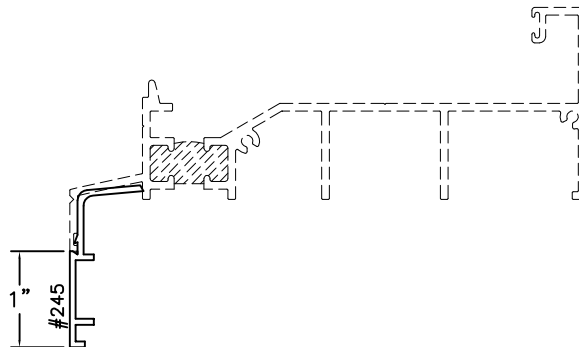
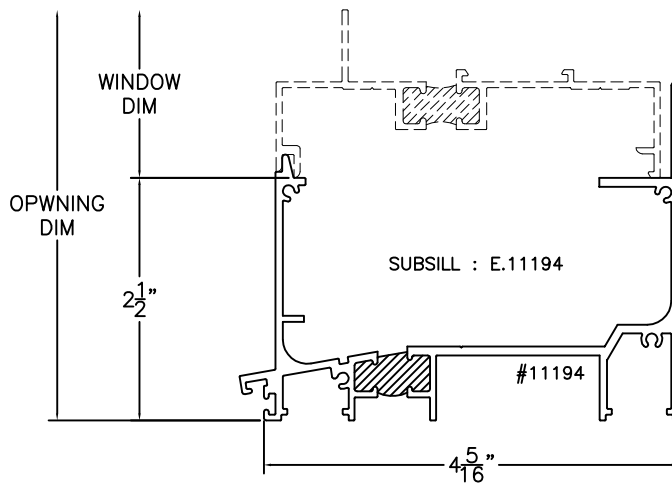
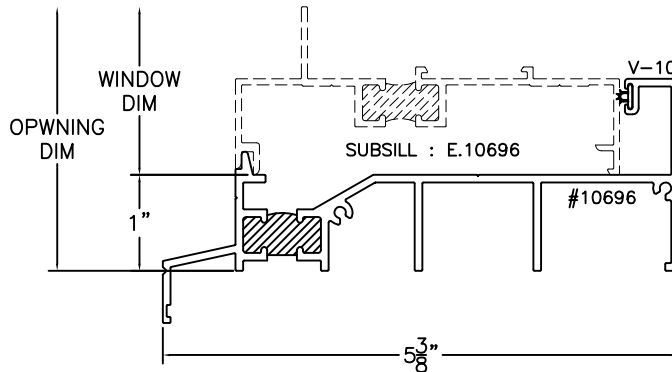


PART NO.	EXTRUSION	MATING COMPONENT	DESCRIPTION	SHEET
E.10696	10696	---	4" FRAME 5.2PSF SUBSILL (5 <sup>3</sup> / <sub>8</sub> " DEPTH)	1 OF 1
E.11194	11194	MULTIPLE	4" FRAME 14.0PSF SUBSILL (4 <sup>5</sup> / <sub>16</sub> " DEPTH)	1 OF 1
E.245	245	MULTIPLE	1" SUBSILL LEG EXTENDER	1 OF 1



**ALL SEASONS**  
**ARCHITECTURAL WINDOWS MFG.**  
 1293 N. Harvey Mitchell Pkwy.  
 Phone: (979) 823-6557  
 Fax: (979) 823-1005

IMPACT:	NO	COMPATIBLE SERIES:	2710FF	FAMILY:	2700	SCALE:	1:2	REVISION:	B	SHEET NUMBER
BLAST:	NO	TDI NO:	2700SH	DESCRIPTION: 2700 FAMILY SURROUNDS SUBSILLS - 4" FRAME						
FLORIDA NO:										
				THIS DRAWING CONTAINS CONFIDENTIAL INFORMATION WHICH IS THE PROPERTY OF ALL SEASONS. RECEIPT OR POSSESSION OF REPRODUCTIONS OF THIS DRAWING OR POSSESSION OF REPRODUCTIONS OF THIS DRAWING DOES NOT CONFER ANY RIGHTS OR LICENSE TO USE INFORMATION CONTAINED HEREIN WITHOUT THE WRITTEN CONSENT OF ALL SEASONS.						
				DRAWN BY:	T.JOBB	DATE DRAWN:	2/3/14	SHEET SIZE:		A
										1 OF 1