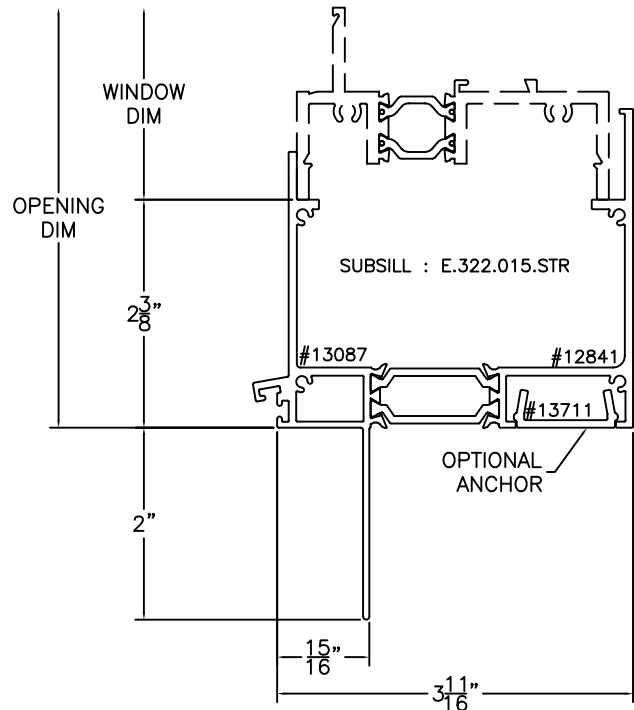
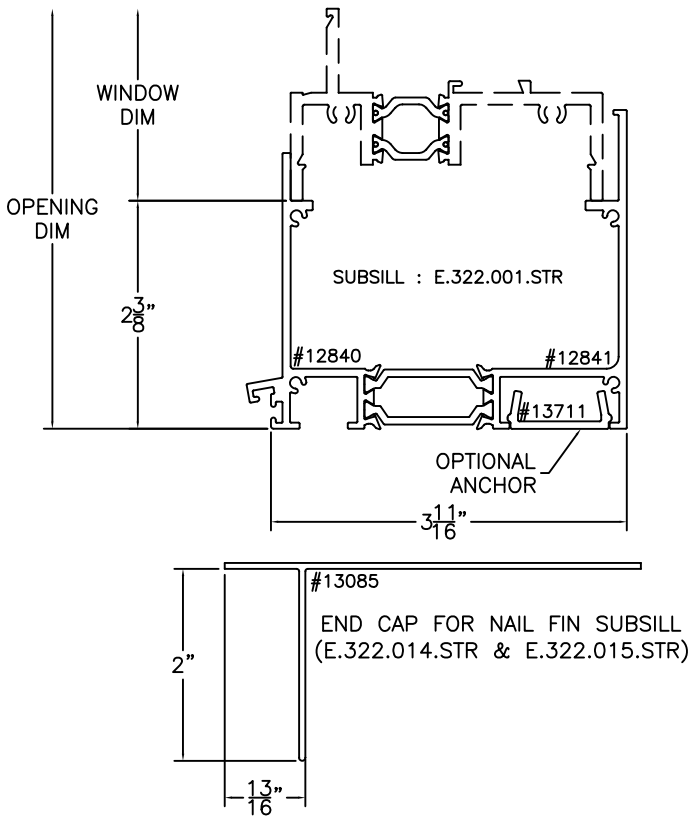
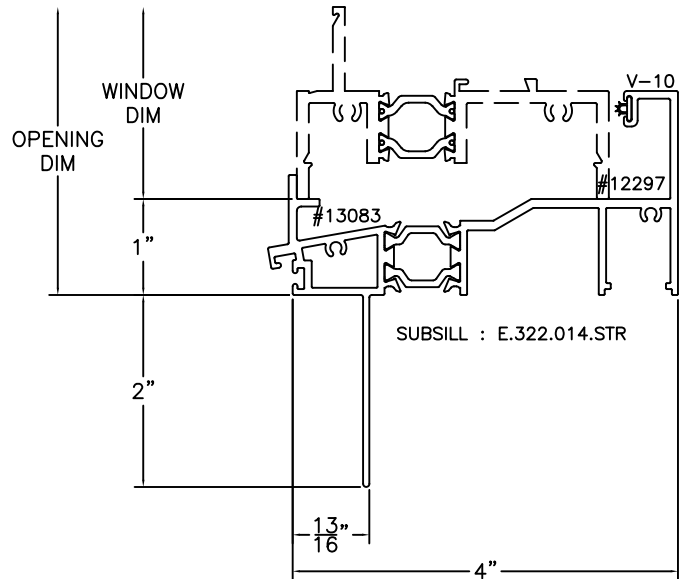
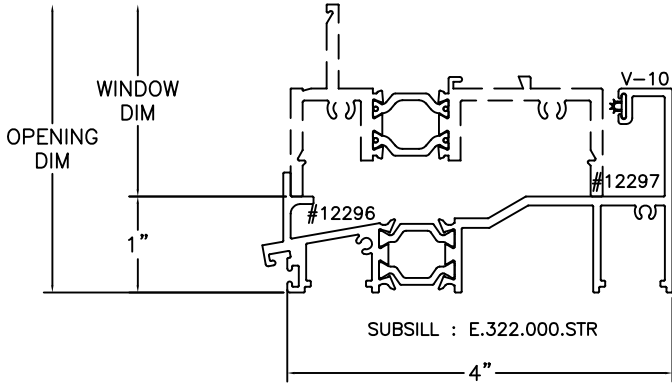
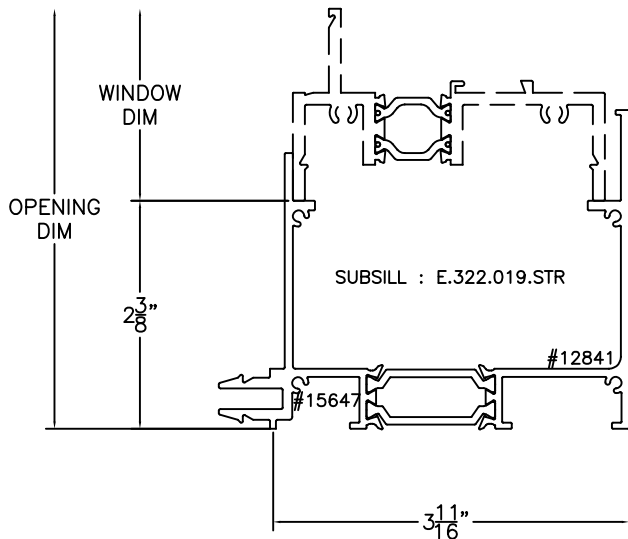
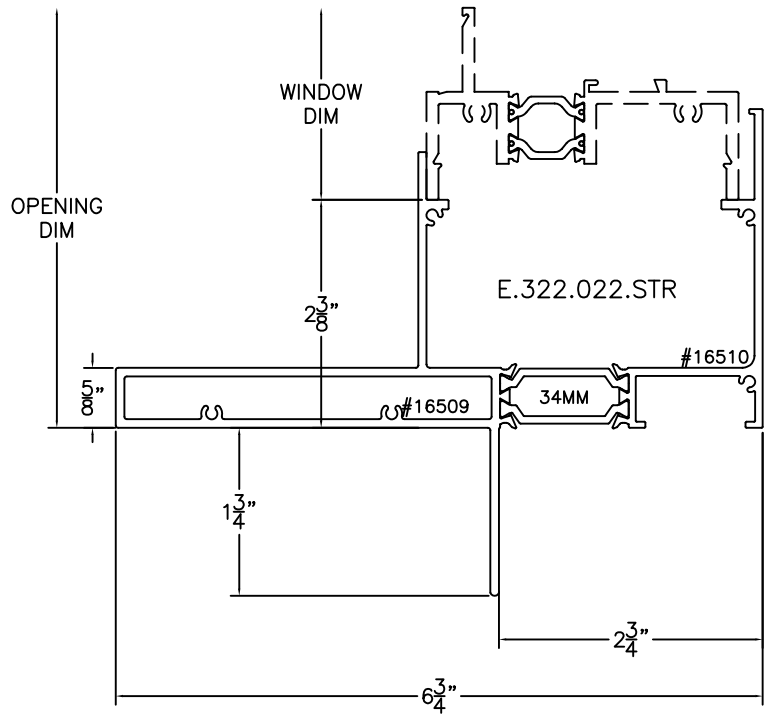
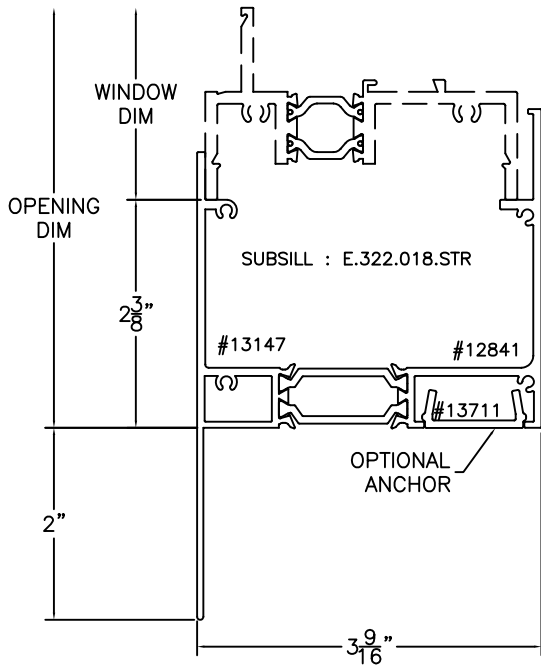



PART NO.	EXTRUSION	MATING COMPONENT	DESCRIPTION	SHEET
E.322.000.STR	E.12296	MULTIPLE	3/4" FRAME 7.0PSF SUBSILL (4" DEPTH)	1 OF 1
	E.12297			
E.322.001.STR	E.12840	MULTIPLE	3/4" FRAME 12.0PSF SUBSILL (3 1/8" DEPTH)	1 OF 1
	E.12841			
E.322.014.STR	E.13083	MULTIPLE	3/4" FRAME 7.0PSF SUBSILL WITH NAIL FIN (4" DEPTH)	1 OF 1
	E.12297			
E.322.015.STR	E.13087	MULTIPLE	3/4" FRAME 12.0PSF SUBSILL WITH NAIL FIN (3 1/8" DEPTH)	1 OF 1
	E.12841			



 1293 N. Harvey Mitchell Pkwy. Phone: (979) 823-6557 Fax: (979) 823-1005	IMPACT:	NO	COMPATIBLE SERIES:	E3250	SCALE:	1:2	REVISION:	C	SHEET NUMBER
	BLAST:	NO	E3250FF	DESCRIPTION:					
	TDI NO:		E3250PO	E3250 FAMILY SURROUNDS					
	FLORIDA NO:		E3250COS	SUBSILLS - 3 1/4" FRAME					
				THIS DRAWING CONTAINS CONFIDENTIAL INFORMATION WHICH IS THE PROPERTY OF ALL SEASONS. RECEIPT OR POSSESSION OF REPRODUCTIONS OF THIS DRAWING OR POSSESSION OF REPRODUCTIONS OF THIS DRAWING DOES NOT CONFER ANY RIGHTS OR LICENSE TO USE INFORMATION CONTAINED HEREIN WITHOUT THE WRITTEN CONSENT OF ALL SEASONS.					
			DRAWN BY:	T.JOBB	DATE DRAWN:	1/31/14	SHEET SIZE:	A	1 OF 2

PART NO.	EXTRUSION	MATING COMPONENT	DESCRIPTION	SHEET
E.322.018.STR	E.13147	MULTIPLE	3/4" FRAME 12.0 PSF SUBSILL FRONT FLANGE (3 9/16" DEPTH)	1 OF 1
	E.12841			
E.322.019.STR	E.15647	MULTIPLE	3/4" FRAME 12.0 PSF SUBSILL TRIM SNAP (3 9/16" DEPTH)	1 OF 1
	E.12841			
E.322.022.STR	E.13774	MULTIPLE	3/4" FRAME 12.0 PSF SUBSILL (6-3/4" DEPTH)	1 OF 1
	E.12841			



 <p>1293 N. Harvey Mitchell Pkwy. Phone: (979) 823-6557 Fax: (979) 823-1005</p>	IMPACT:	NO	COMPATIBLE SERIES:	FAMILY:	E3250	SCALE:	1:2	REVISION:	C	SHEET NUMBER
	BLAST:	NO	E3250FF	DESCRIPTION: E3250 FAMILY SURROUNDS SUBSILLS - 3 1/4" FRAME						
	TDI NO:		E3250PO							
	FLORIDA NO:		E3250COS							
	THIS DRAWING CONTAINS CONFIDENTIAL INFORMATION WHICH IS THE PROPERTY OF ALL SEASONS. RECEIPT OR POSSESSION OF REPRODUCTIONS OF THIS DRAWING OR POSSESSION OF REPRODUCTIONS OF THIS DRAWING DOES NOT CONFER ANY RIGHTS OR LICENSE TO USE INFORMATION CONTAINED HEREIN WITHOUT THE WRITTEN CONSENT OF ALL SEASONS.									
DRAWN BY: T.JOBB			DATE DRAWN: 1/31/14			SHEET SIZE: A				