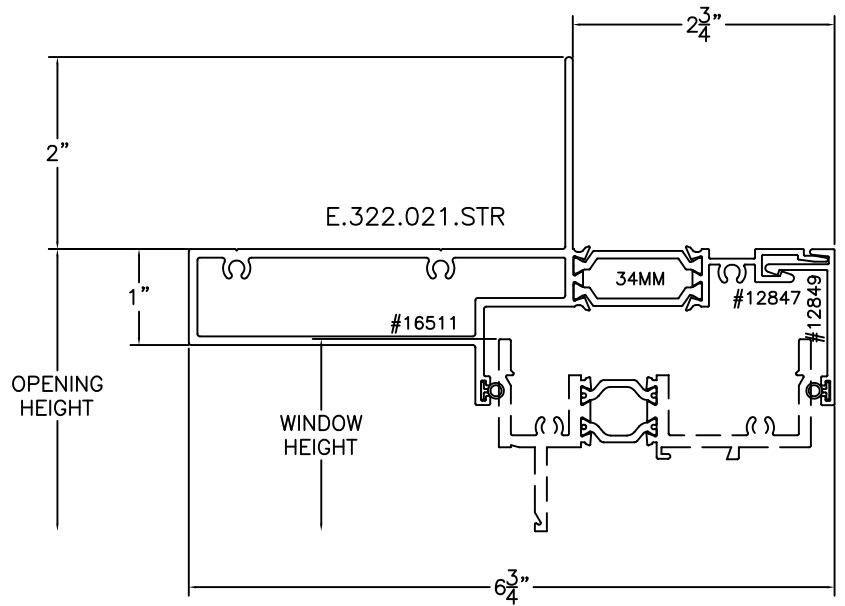
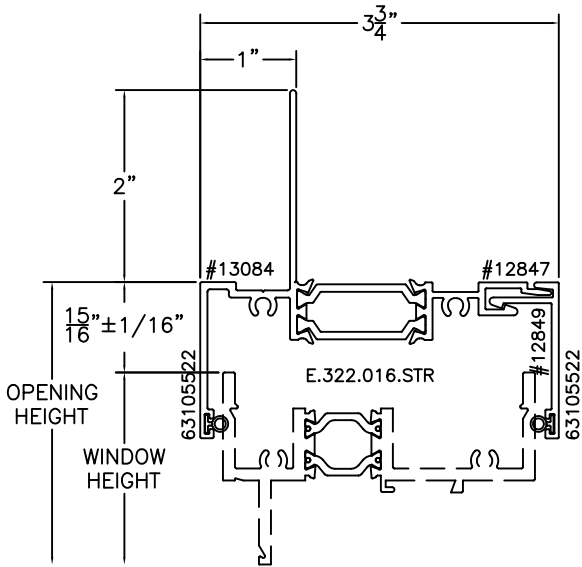
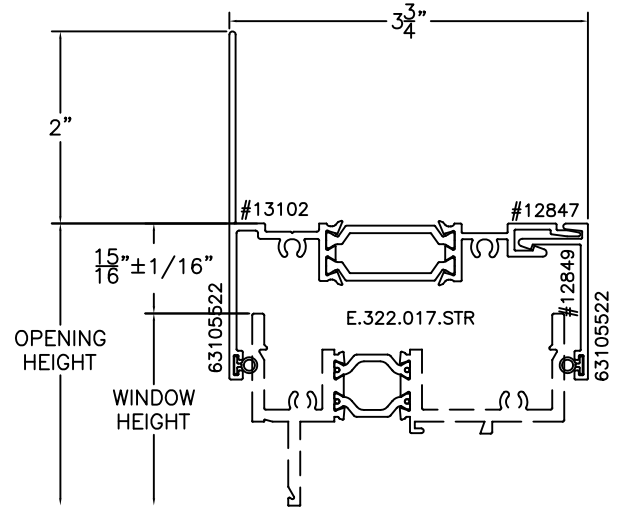
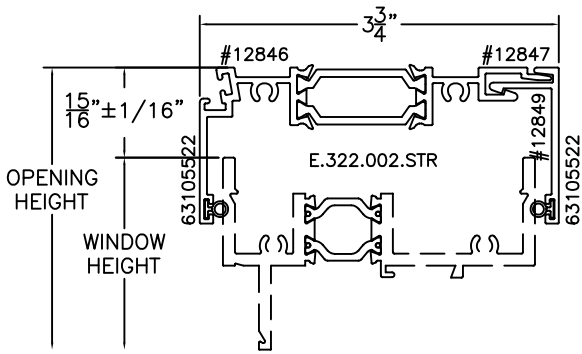

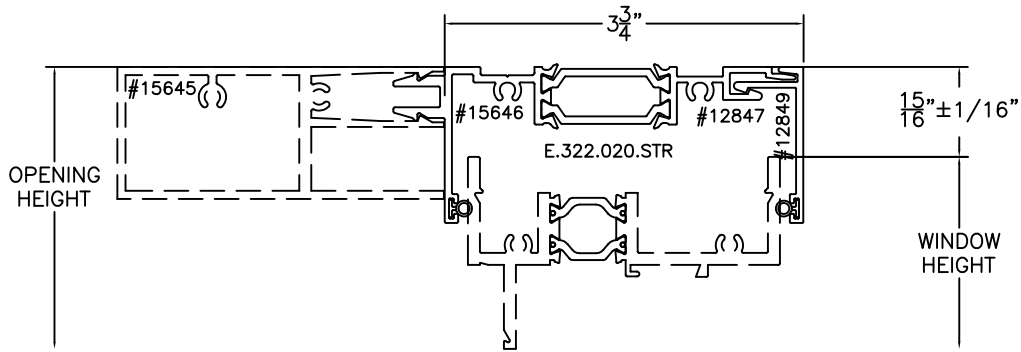



PART NO.	EXTRUSION	MATING COMPONENT	DESCRIPTION	SHEET
E.322.002.STR	E.12846 E.12847	E.12849	3 <sup>3</sup> / <sub>4</sub> " FRAME HEAD/JAMB CLOSURE (3 <sup>3</sup> / <sub>4</sub> " DEPTH)	1 OF 2
E.322.016.STR	E.13084 E.12847	E.12849	3 <sup>3</sup> / <sub>4</sub> " FRAME HEAD/JAMB CLOSURE WITH NAIL FIN (3 <sup>3</sup> / <sub>4</sub> " DEPTH)	1 OF 2
E.322.017.STR	E.13102 E.12847	E.12849	3 <sup>3</sup> / <sub>4</sub> " FRAME HEAD/JAMB CLOSURE WITH FRONT FLANGE (3 <sup>3</sup> / <sub>4</sub> " DEPTH)	1 OF 2
E.322.021.STR	E.13773 E.12847	E.12849	3 <sup>3</sup> / <sub>4</sub> " FRAME HEAD/JAMB CLOSURE WITH EXTENSION (6 <sup>3</sup> / <sub>4</sub> " DEPTH)	1 OF 2



 <p>1293 N. Harvey Mitchell Pkwy. Phone: (979) 823-6557 Fax: (979) 823-1005</p>	IMPACT:	NO	COMPATIBLE SERIES:	E3250	SCALE:	1:2	REVISION:	C	SHEET NUMBER
	BLAST:	NO	E3250FF	DESCRIPTION:					
	TDI NO:		E3250PO	E3250 FAMILY SURROUNDS HEAD AND JAMB CLOSURES					
	FLORIDA NO:		E3250COS						
	THIS DRAWING CONTAINS CONFIDENTIAL INFORMATION WHICH IS THE PROPERTY OF ALL SEASONS. RECEIPT OR POSSESSION OF REPRODUCTIONS OF THIS DRAWING OR POSSESSION OF REPRODUCTIONS OF THIS DRAWING DOES NOT CONFER ANY RIGHTS OR LICENSE TO USE INFORMATION CONTAINED HEREIN WITHOUT THE WRITTEN CONSENT OF ALL SEASONS.								
	DRAWN BY: T.Jobb				DATE DRAWN: 1/31/14		SHEET SIZE: A		

E.322.020.STR	E.15646	E.12849	3/4" FRAME HEAD/JAMB CLOSURE WITH TRIM SNAP	2 OF 2
	E.12847			



 <p>1293 N. Harvey Mitchell Pkwy. Phone: (979) 823-6557 Fax: (979) 823-1005</p>	IMPACT:	NO	COMPATIBLE SERIES:	FAMILY:	E3250	SCALE:	1:2	REVISION:	C	SHEET NUMBER
	BLAST:	NO	E3250FF	DESCRIPTION: E3250 FAMILY SURROUNDS HEAD AND JAMB CLOSURES						
	TDI NO:		E3250PO							
	FLORIDA NO:		E3250COS							
	THIS DRAWING CONTAINS CONFIDENTIAL INFORMATION WHICH IS THE PROPERTY OF ALL SEASONS. RECEIPT OR POSSESSION OF REPRODUCTIONS OF THIS DRAWING OR POSSESSION OF REPRODUCTIONS OF THIS DRAWING DOES NOT CONFER ANY RIGHTS OR LICENSE TO USE INFORMATION CONTAINED HEREIN WITHOUT THE WRITTEN CONSENT OF ALL SEASONS.									
DRAWN BY:		T.Jobb		DATE DRAWN:		1/31/14		SHEET SIZE:		A