

REVISIONS

REV	DESCRIPTION	DATE	APPROVED

NOTES:

- THE PRODUCT SHOWN HEREIN IS DESIGNED AND MANUFACTURED TO COMPLY WITH REQUIREMENTS OF THE FLORIDA BUILDING CODE.
- WOOD FRAMING AND MASONRY OPENING TO BE DESIGNED AND ANCHORED TO PROPERLY TRANSFER ALL LOADS TO STRUCTURE. FRAMING AND MASONRY OPENING IS THE RESPONSIBILITY OF THE ARCHITECT OR ENGINEER OF RECORD.
- 1X BUCK OVER MASONRY/CONCRETE IS OPTIONAL.
- WHERE SHIM OR BUCK THICKNESS IS LESS THAN 1-1/2" UNITS MUST BE ANCHORED THROUGH THE FRAME IN ACCORDANCE WITH MANUFACTURER'S PUBLISHED INSTALLATION INSTRUCTIONS. ANCHORS SHALL BE SECURELY FASTENED DIRECTLY INTO MASONRY, CONCRETE OR OTHER STRUCTURAL SUBSTRATE MATERIAL.
- WHERE WOOD BUCK THICKNESS IS 1-1/2" OR GREATER, BUCK SHALL BE SECURELY FASTENED TO MASONRY, CONCRETE OR OTHER STRUCTURAL SUBSTRATE. UNITS MAY BE ANCHORED THROUGH FRAME TO SECURED WOOD BUCK IN ACCORDANCE WITH MANUFACTURER'S PUBLISHED INSTALLATION INSTRUCTIONS.
- WHERE 1X BUCK IS NOT USED DISSIMILAR MATERIALS MUST BE SEPARATED WITH APPROVED COATING OR MEMBRANE. SELECTION OF COATING OR MEMBRANE IS THE RESPONSIBILITY OF THE ARCHITECT OR ENGINEER OF RECORD.
- BUCKS SHALL EXTEND BEYOND UNIT FRAME INTERIOR FACE SO THAT FULL FRAME SUPPORT IS PROVIDED.
- FOR FIN INSTALLATION SHIM AS NEEDED. FOR FRAME INSTALLATION SHIM AS REQUIRED AT EACH ANCHOR LOCATION WITH LOAD BEARING SHIM. SHIM WHERE SPACE OF 1/16" OR GREATER OCCURS. MAXIMUM ALLOWABLE SHIM STACK TO BE 1/4".
- SHIMS SHALL BE LOCATED, APPLIED AND MADE FROM MATERIALS AND THICKNESS CAPABLE OF SUSTAINING APPLICABLE LOADS.
- WIND LOAD DURATION FACTOR Cd=1.6 WAS USED FOR WOOD ANCHOR CALCULATIONS.
- FRAME MATERIAL: ALUMINUM 6063-T5.
- UNITS MUST BE GLAZED PER ASTM E1300-04/09, SEE SHEET 7 FOR GLASS DETAILS.
- APPROVED IMPACT PROTECTIVE SYSTEM IS NOT REQUIRED FOR THIS PRODUCT IN WIND BORNE DEBRIS REGIONS.
- FOR ANCHORING THROUGH FIN INTO WOOD FRAMING OR 2X BUCK USE #6 WOOD SCREWS WITH SUFFICIENT LENGTH TO ACHIEVE A 1 1/4" MINIMUM EMBEDMENT INTO SUBSTRATE. LOCATE ANCHORS AS SHOWN IN ELEVATIONS AND INSTALLATION DETAILS.

- FOR ANCHORING THROUGH FRAME INTO WOOD FRAMING OR 2X BUCK USE #12 WOOD SCREWS WITH SUFFICIENT LENGTH TO ACHIEVE A 1 1/4" MINIMUM EMBEDMENT INTO SUBSTRATE. LOCATE ANCHORS AS SHOWN IN ELEVATIONS AND INSTALLATION DETAILS.
- FOR ANCHORING THROUGH FRAME INTO MASONRY/CONCRETE USE 1/4" TAPCONS WITH SUFFICIENT LENGTH TO ACHIEVE A 1 1/4" MINIMUM EMBEDMENT INTO SUBSTRATE WITH 2" MINIMUM EDGE DISTANCE. LOCATE ANCHORS AS SHOWN IN ELEVATIONS AND INSTALLATION DETAILS.
- FOR ANCHORING THROUGH FRAME INTO METAL STRUCTURE USE #12 SMS OR SELF DRILLING SCREWS WITH SUFFICIENT LENGTH TO ACHIEVE 3 THREADS MINIMUM BEYOND STRUCTURE INTERIOR WALL. LOCATE ANCHORS AS SHOWN IN ELEVATIONS AND INSTALLATION DETAILS.
- ALL FASTENERS TO BE CORROSION RESISTANT.
- INSTALLATION ANCHORS SHALL BE INSTALLED IN ACCORDANCE WITH ANCHOR MANUFACTURER'S INSTALLATION INSTRUCTIONS AND ANCHORS SHALL NOT BE USED IN SUBSTRATES WITH STRENGTHS LESS THAN THE MINIMUM STRENGTH SPECIFIED BELOW:
  - WOOD: MINIMUM SPECIFIC GRAVITY OF G=0.42
  - CONCRETE: MINIMUM COMPRESSIVE STRENGTH OF 2,000 PSI.
  - MASONRY: HOLLOW/FILLED BLOCK PER ASTM C90 WITH Fm=2,000PSI MINIMUM.
  - METAL STRUCTURE: STEEL 18GA (.048") FY=33KSI/FU=52KSI OR ALUMINUM 6063-T5 FU=30KSI .048" THICK MINIMUM

SIGNED: 03/11/2019

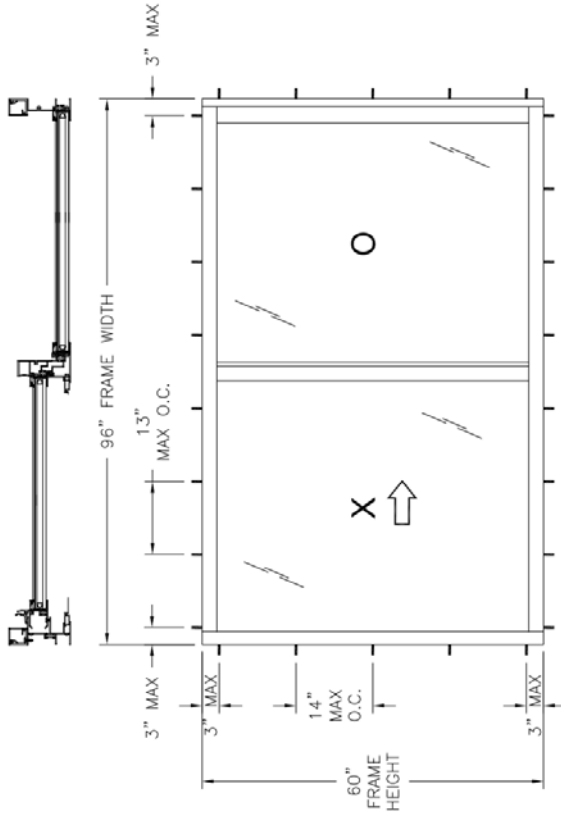


Luis R. Lomas P.E.  
FL No.: 62514

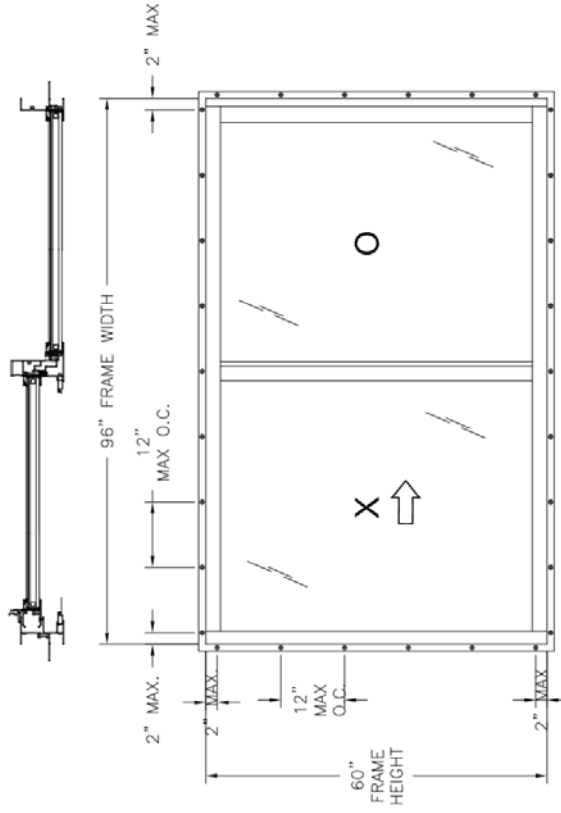
<b>ALL SEASONS COMMERCIAL</b> 1293 NORTH HARVEY MITCHELL PARKWAY BRYAN, TX 77803	
3250 ALUMINUM HORIZONTAL SLIDING WINDOW IMPACT NOTES	
DRAWN: A.R.	DWG NO. 08-03385
DATE 02/15/19	SHEET 1 OF 7
L. ROBERTO LOMAS P.E. 1432 WOODFORD RD. LEWISVILLE, NC 27023 434-688-0809 rlomas@lromaspe.com	

TABLE OF CONTENTS	
SHEET NO.	DESCRIPTION
1	NOTES
2	ELEVATIONS
3 - 6	INSTALLATION DETAILS
7	COMPONENTS AND GLAZING DETAILS

REV	DESCRIPTION	DATE	APPROVED



3250 HORIZONTAL SLIDER WINDOW  
EXTERIOR VIEW  
FINLESS INSTALLATION



3250 HORIZONTAL SLIDER WINDOW  
EXTERIOR VIEW  
FIN INSTALLATION

DESIGN PRESSURE RATING	IMPACT RATING
±50.0PSF	LARGE AND SMALL MISSILE IMPACT

MISSILE LEVEL D, WIND ZONE 4  
96" X 60" UNIT SHOWN. OTHER SIZES APPROVED AS LONG AS  
FRAME AREA DOES NOT EXCEED 40.0 FT<sup>2</sup>

- NOTES:
- SASH SIZE: 48" X 53 3/4"
  - SASH D.L.O. SIZE: 43 3/4" X 51 3/8"
  - FIXED D.L.O. SIZE: 43 3/4" X 53 3/8"

HARDWARE SCHEDULE
A. (1) METALLIC LOCK AT SASH STILE
B. (1) SPIRAL BALANCE PER SASH STILE

ALL SEASONS COMMERCIAL  
1293 NORTH HARVEY MITCHELL PARKWAY  
BRYAN, TX 77803

3250 ALUMINUM HORIZONTAL SLIDING WINDOW  
IMPACT  
ELEVATIONS

DRAWN: A.R.	DWG NO. 08-03385	REV -
SCALE NTS	DATE 02/15/19	SHEET 2 OF 7

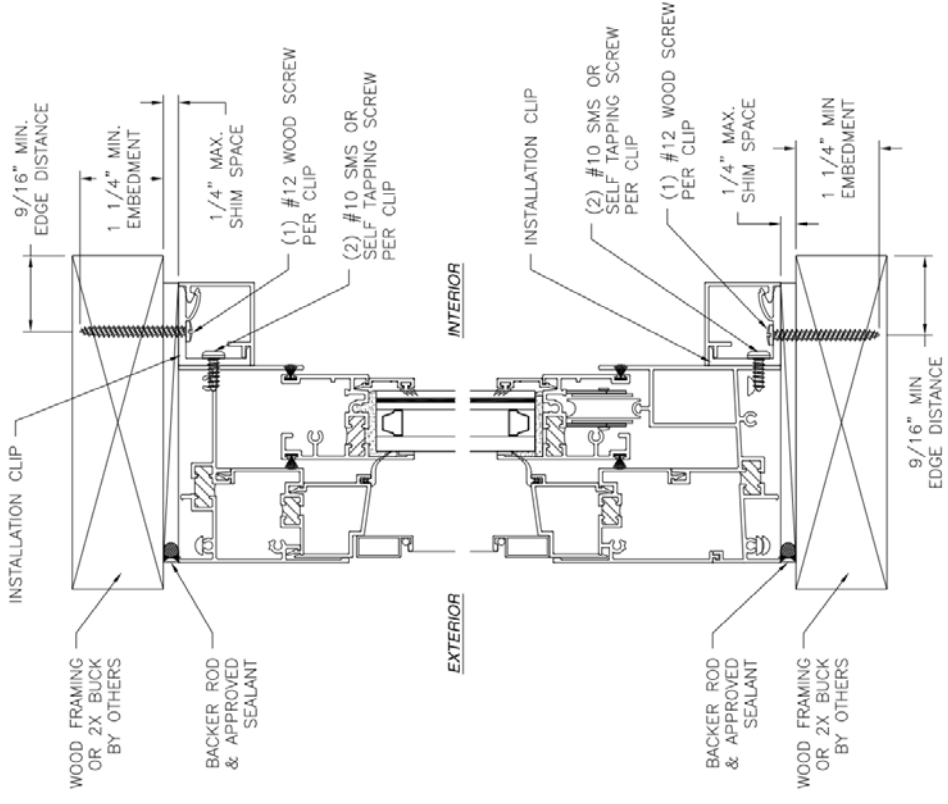
L. ROBERTO LOMAS P.E.  
1432 WOODFORD RD LEWISVILLE, NC 27023  
434-688-0809  
rlomas@lomaspa.com



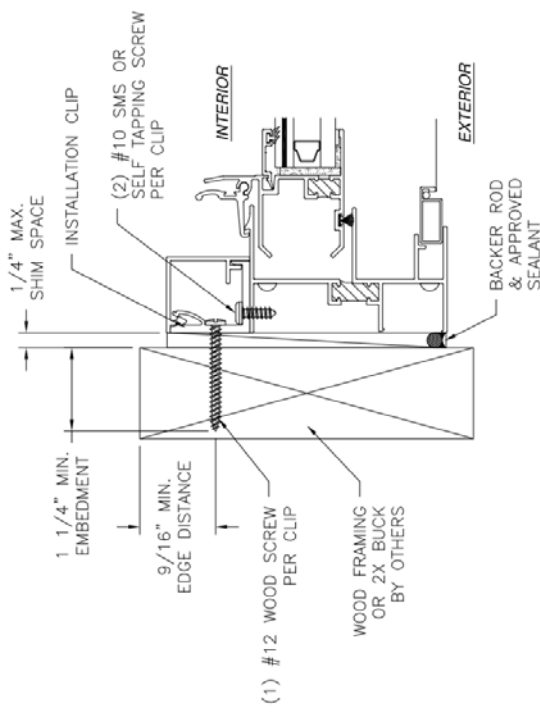
Luis R. Lomas P.E.  
FL No.: 62514

SIGNED: 03/11/2019

REVISIONS		
REV	DESCRIPTION	DATE



**VERTICAL CROSS SECTION**  
WOOD FRAMING OR 2X BUCK INSTALLATION



**JAMB INSTALLATION DETAIL**  
FRAME JAMB LOCK SIDE SHOWN, FRAME JAMBS SIMILAR  
WOOD FRAMING OR 2X BUCK INSTALLATION

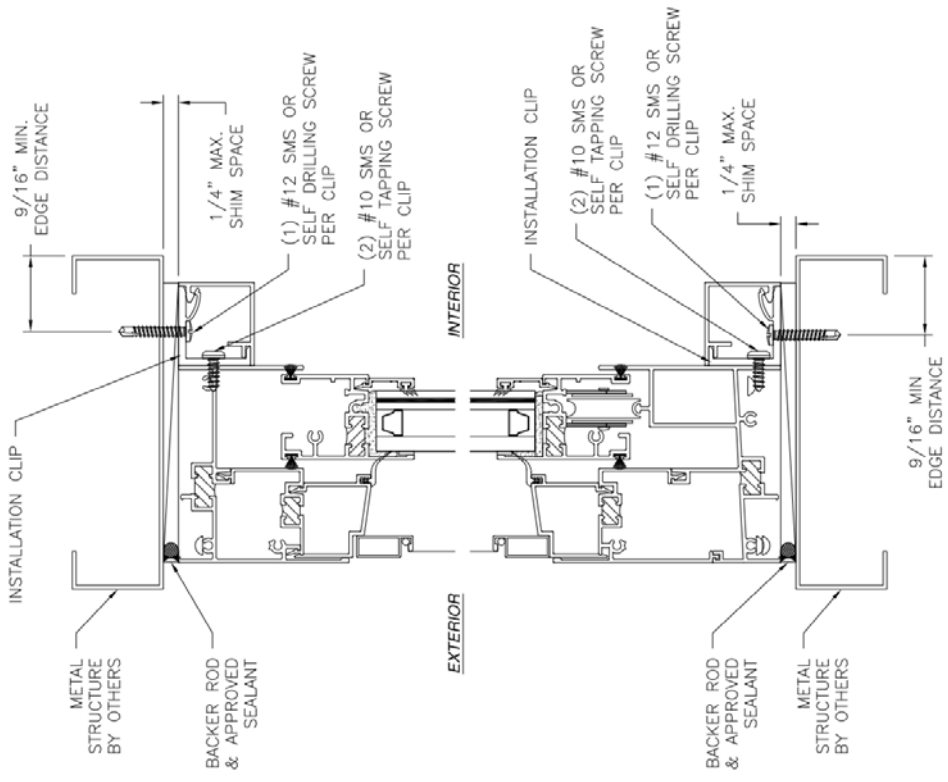
- NOTES:**
1. INTERIOR AND EXTERIOR FINISHES, BY OTHERS, NOT SHOWN FOR CLARITY.
  2. PERIMETER AND JOINT SEALANT BY OTHERS TO BE DESIGNED IN ACCORDANCE WITH ASTM E2112

SIGNED: 03/11/2019

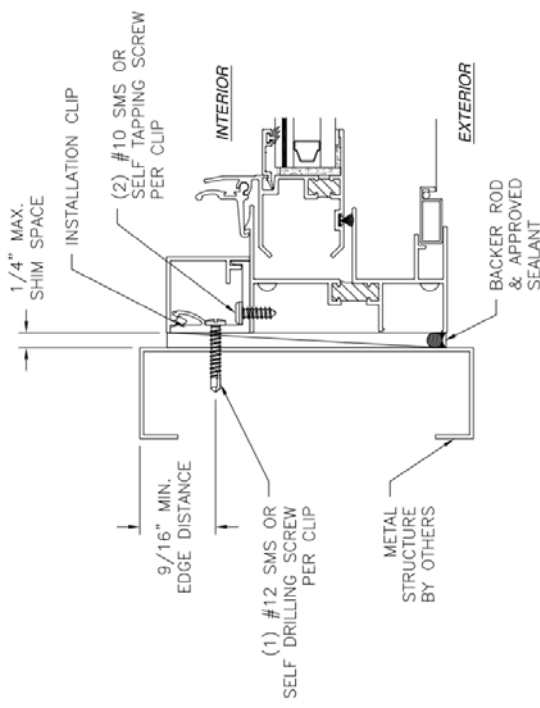
Luis R. Lomas P.E.  
FL No.: 62514

<b>ALL SEASONS COMMERCIAL</b> 1293 NORTH HARVEY MITCHELL PARKWAY BRYAN, TX 77803	
3250 ALUMINUM HORIZONTAL SLIDING WINDOW IMPACT	
<b>INSTALLATION DETAILS</b>	
DRAWN: A.R.	DWG NO. 08-03385
SCALE NTS	DATE 02/15/19
SHEET 3	OF 7
L. ROBERTO LOMAS P.E. 1432 WOODFORD RD LEWISVILLE, NC 27023 434-688-0809 <a href="mailto:rlomas@lomalaspa.com">rlomas@lomalaspa.com</a>	

REV	DESCRIPTION	DATE	APPROVED



**VERTICAL CROSS SECTION**  
METAL STRUCTURE INSTALLATION



**JAMB INSTALLATION DETAIL**  
FRAME JAMB LOCK SIDE SHOWN. FRAME JAMB SIMILAR  
METAL STRUCTURE INSTALLATION

- NOTES:**
1. INTERIOR AND EXTERIOR FINISHES, BY OTHERS, NOT SHOWN FOR CLARITY.
  2. PERIMETER AND JOINT SEALANT BY OTHERS TO BE DESIGNED IN ACCORDANCE WITH ASTM E2112

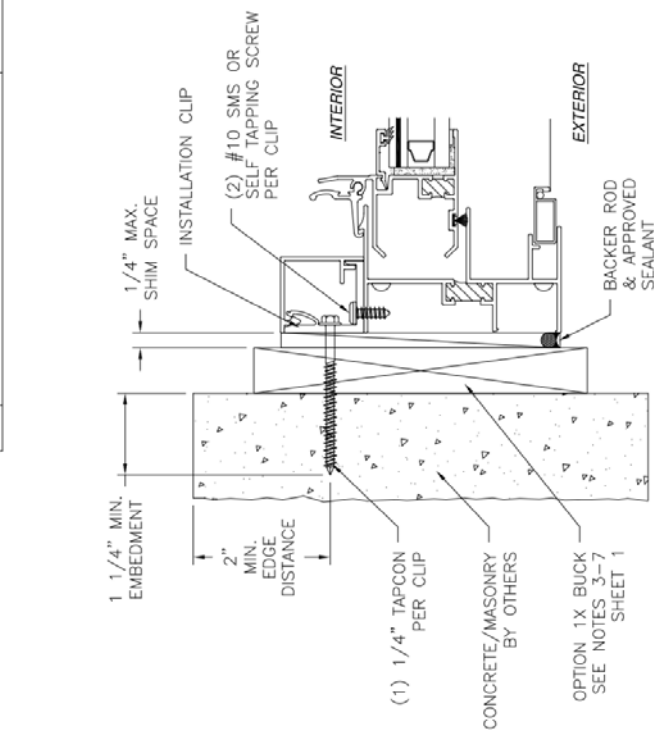
SIGNED: 03/11/2019

<b>ALL SEASONS COMMERCIAL</b>	
1293 NORTH HARVEY MITCHELL PARKWAY BRYAN, TX 77803	
3250 ALUMINUM HORIZONTAL SLIDING WINDOW IMPACT	
INSTALLATION DETAILS	
DRAWN: A.R.	REV -
DWG NO. 08-03385	SHEET 4 OF 7
DATE 02/15/19	SCALE NTS
L. ROBERTO LOMAS P.E. 1432 WOODFORD RD LEWISVILLE, NC 27023 434-688-0809 rlomas@lomaspa.com	



Luis R. Lomas P.E.  
FL No.: 62514

REV	DESCRIPTION	DATE	APPROVED



**JAMB INSTALLATION DETAIL**  
 FRAME JAMB SIMILAR  
 CONCRETE/MASONRY INSTALLATION

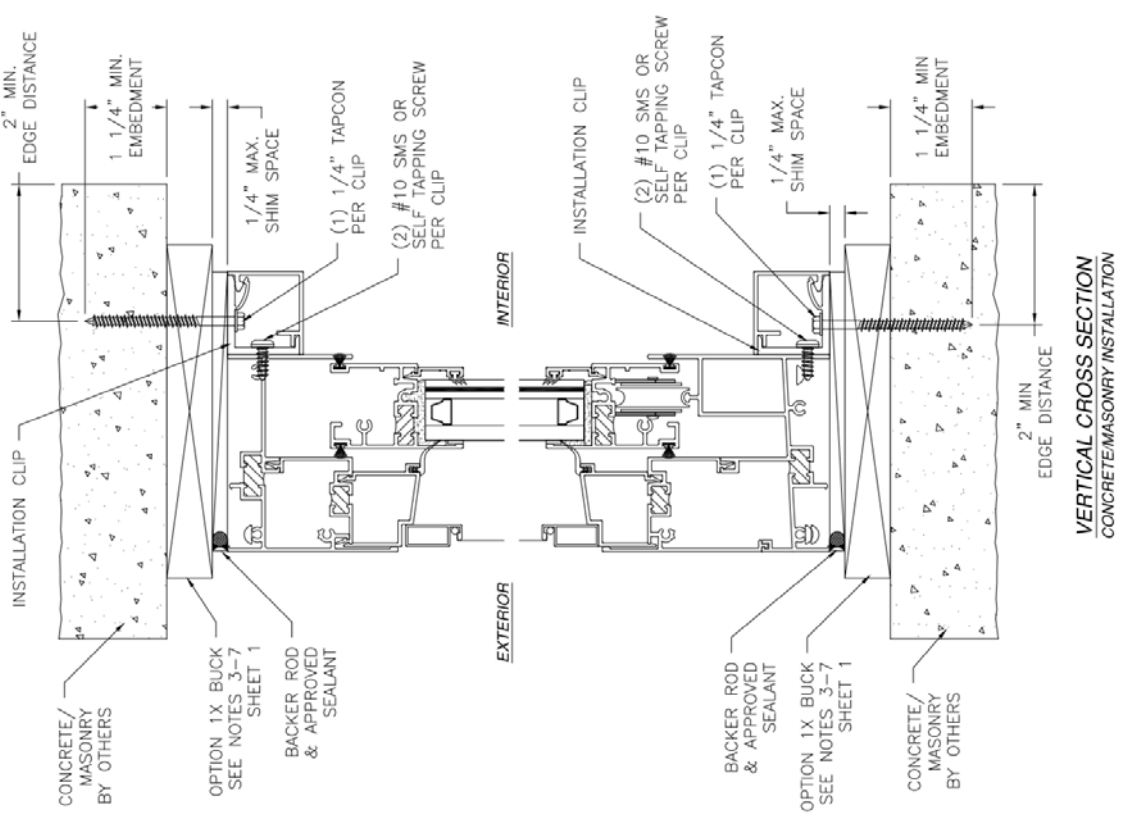
- NOTES:**
1. INTERIOR AND EXTERIOR FINISHES, BY OTHERS, NOT SHOWN FOR CLARITY.
  2. PERIMETER AND JOINT SEALANT BY OTHERS TO BE DESIGNED IN ACCORDANCE WITH ASTM E2112

SIGNED: 03/11/2019



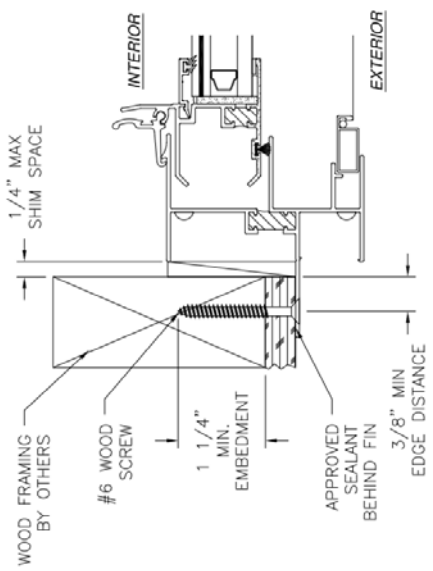
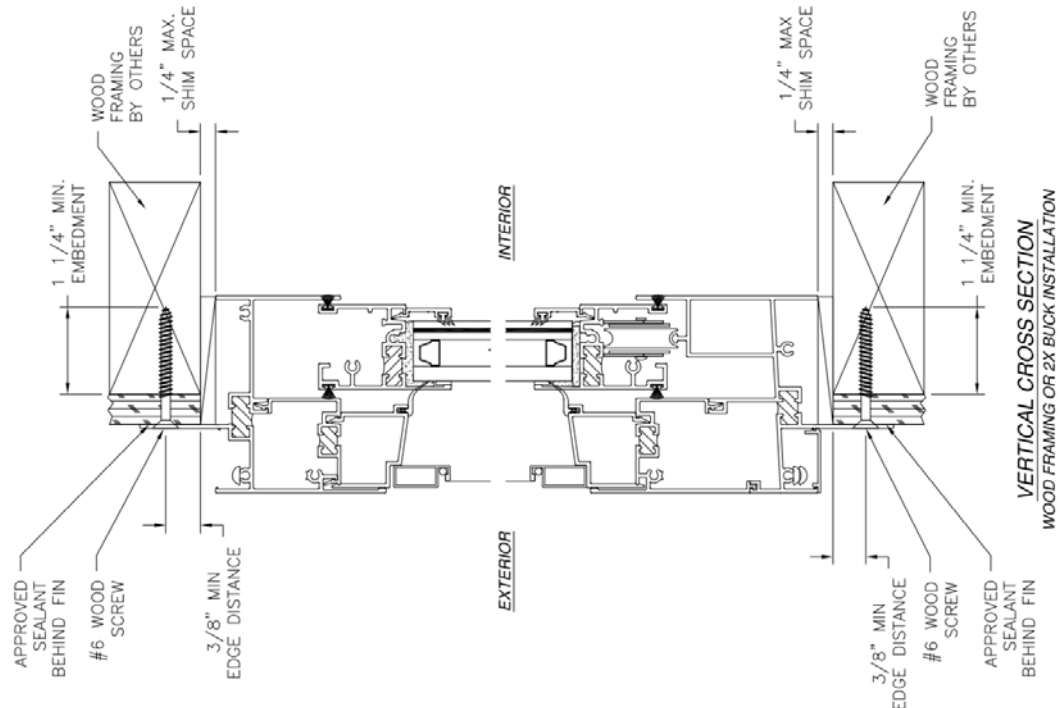
Luis R. Lomas P.E.  
 FL No.: 62514

<b>ALL SEASONS COMMERCIAL</b> 1293 NORTH HARVEY MITCHELL PARKWAY BRYAN, TX 77803	
3250 ALUMINUM HORIZONTAL SLIDING WINDOW IMPACT INSTALLATION DETAILS	
DRAWN: A.R.	REV -
DATE 02/15/19	DWG NO. 08-03385
SCALE NTS	SHEET 5 OF 7
L. ROBERTO LOMAS P.E. 1432 WOODFORD RD. LEWISVILLE, NC 27023 434-688-0809    rllomas@allseasons.com	



**VERTICAL CROSS SECTION**  
 CONCRETE/MASONRY INSTALLATION

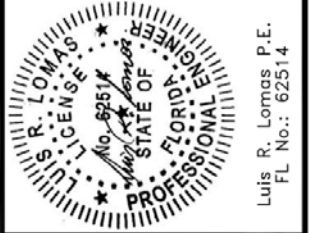
REVISIONS		
REV	DESCRIPTION	DATE



**JAMB INSTALLATION DETAIL**  
 FRAME JAMB LOCK SIDE SHOWN, FRAME JAMB SIMILAR  
 WOOD FRAMING OR 2X BUCK INSTALLATION

- NOTES:**
1. INTERIOR AND EXTERIOR FINISHES, BY OTHERS, NOT SHOWN FOR CLARITY.
  2. PERIMETER AND JOINT SEALANT BY OTHERS TO BE DESIGNED IN ACCORDANCE WITH ASTM E2112

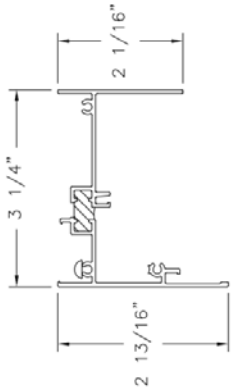
SIGNED: 03/11/2019



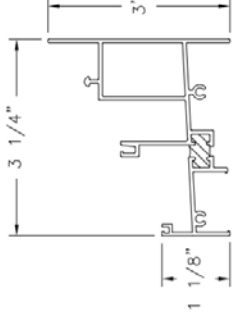
<b>ALL SEASONS COMMERCIAL</b> 1293 NORTH HARVEY MITCHELL PARKWAY BRYAN, TX 77803	
3250 ALUMINUM HORIZONTAL SLIDING WINDOW IMPACT FIN INSTALLATION DETAILS	
DRAWN: A.R.	DWG NO. 08-03385
SCALE NTS	DATE 02/15/19 SHEET 6 OF 7
L. ROBERTO LOMAS P.E. 1432 WOODFORD RD LEWISVILLE, NC 27023 434-688-0809 rlomas@lomaspa.com	

Luis R. Lomas P.E.  
 FL No.: 62514

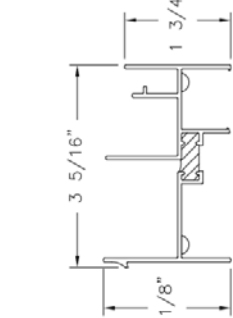
REV	DESCRIPTION	DATE	APPROVED



**HEAD**  
**FRAME INSTALLATION**  
ALUMINUM 6063-T5 (12949)



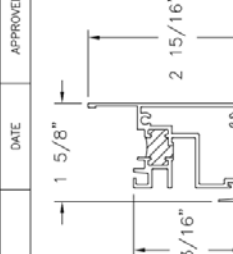
**SILL**  
**FRAME INSTALLATION**  
ALUMINUM 6063-T5 (12950)



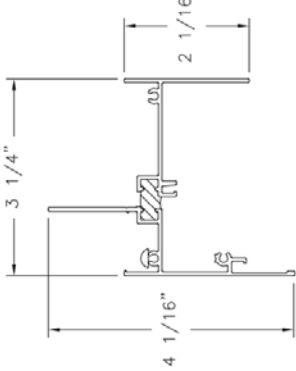
**JAMB LOCK SIDE**  
**FRAME INSTALLATION**  
ALUMINUM 6063-T5 (12951)



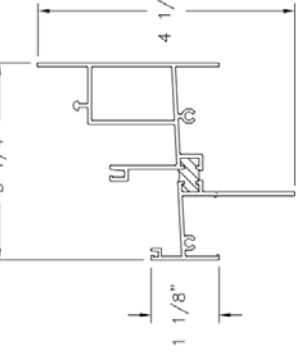
**JAMB**  
**FRAME INSTALLATION**  
ALUMINUM 6063-T5 (12964)



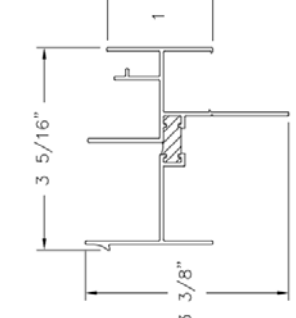
**MEETING RAIL**  
ALUMINUM 6063-T5 (12957)



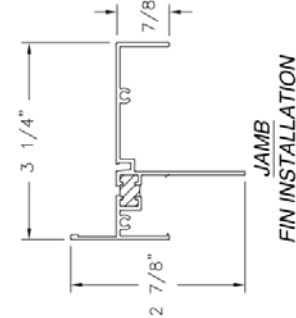
**HEAD**  
**FIN INSTALLATION**  
ALUMINUM 6063-T5 (12949)



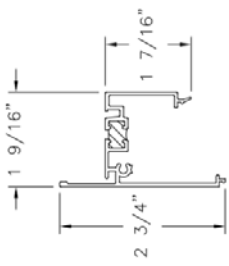
**SILL**  
**FIN INSTALLATION**  
ALUMINUM 6063-T5 (12950)



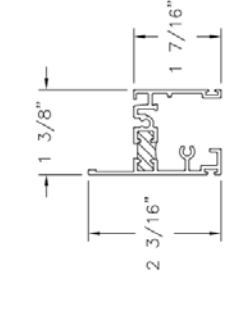
**JAMB LOCK SIDE**  
**FIN INSTALLATION**  
ALUMINUM 6063-T5 (12951)



**JAMB**  
**FIN INSTALLATION**  
ALUMINUM 6063-T5 (12964)



**SILL SNAP, GLAZING LEG**  
ALUMINUM 6063-T5 (13323)



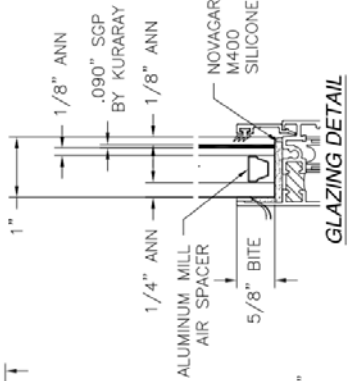
**SASH TOP, BOTTOM RAIL**  
ALUMINUM 6063-T5 (12955)



**SASH STILE**  
ALUMINUM 6063-T5 (12954)



**SASH INTERLOCK JAMB**  
ALUMINUM 6063-T5 (12953)



**GLAZING DETAIL**

SIGNED: 03/11/2019

**ALL SEASONS COMMERCIAL**  
1293 NORTH HARVEY MITCHELL PARKWAY  
BRYAN, TX 77803

3250 ALUMINUM HORIZONTAL SLIDING WINDOW  
IMPACT  
COMPONENTS AND GLAZING DETAIL

DRAWN: A.R.	DWG NO. 08-03385	REV -
SCALE NTS	DATE 02/15/19	SHEET 7 OF 7

L. ROBERTO LOMAS P.E.  
1432 WOODFORD RD LEWISVILLE, NC 27023  
434-688-0809 rlomas@lomaspa.com

Luis R. Lomas P.E.  
FL No.: 62514

