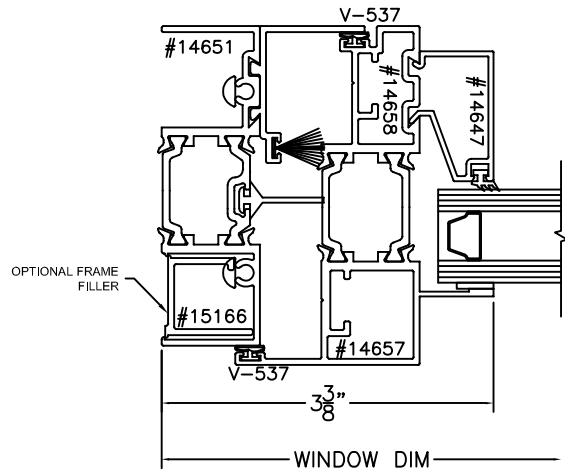
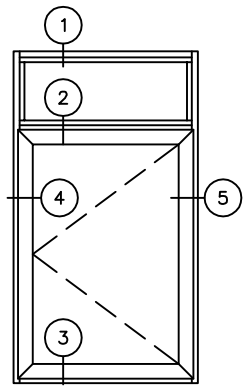


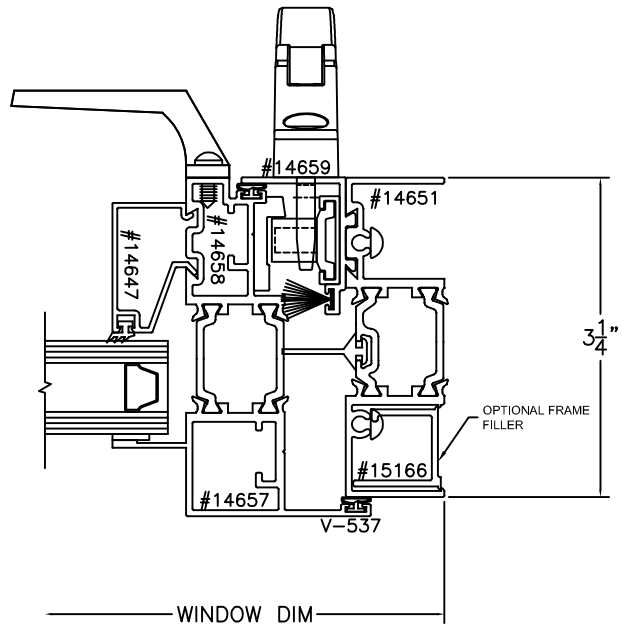
1

2

3



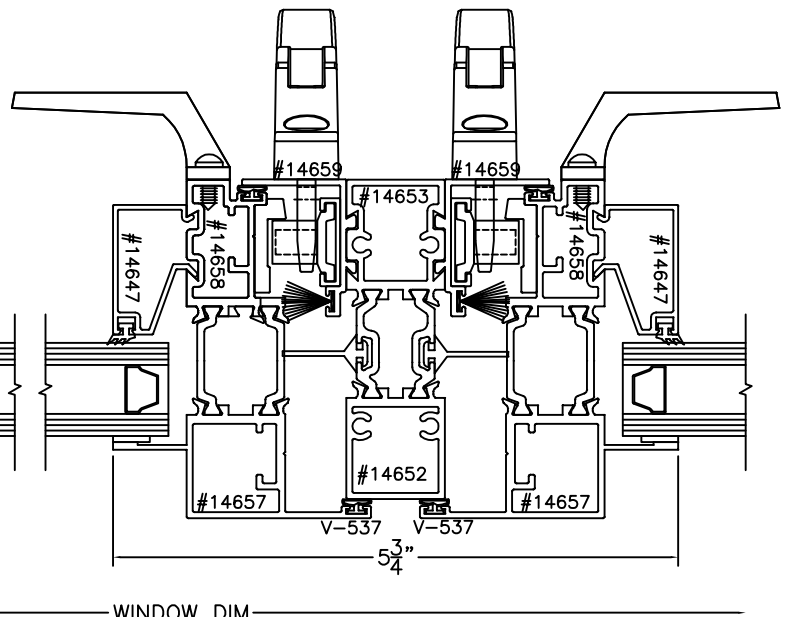
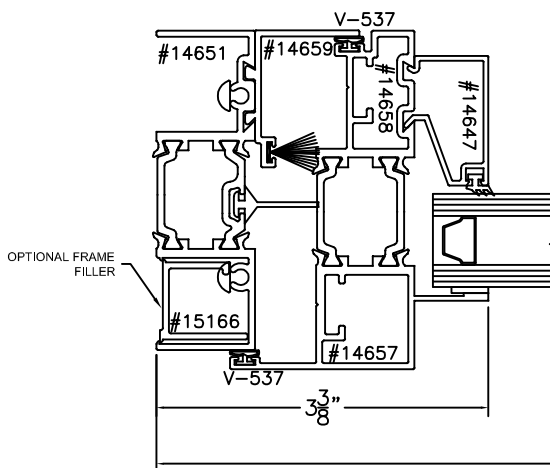
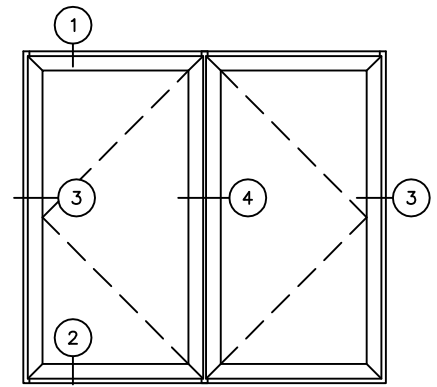
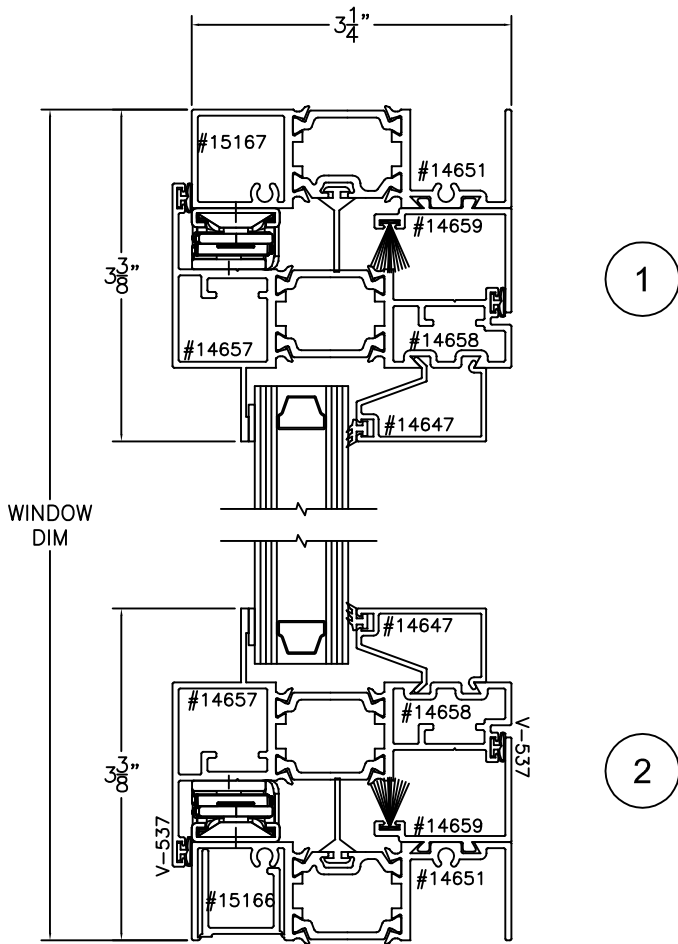
4



5

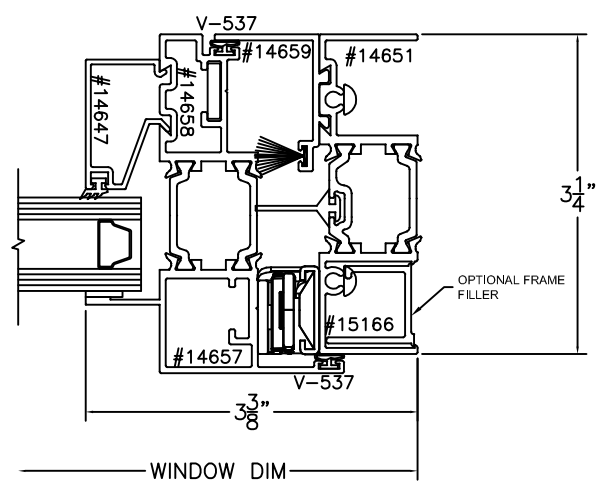
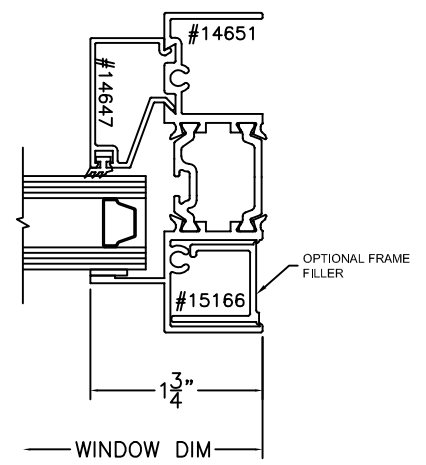
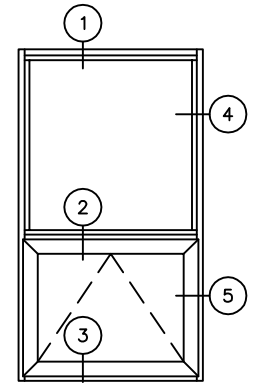
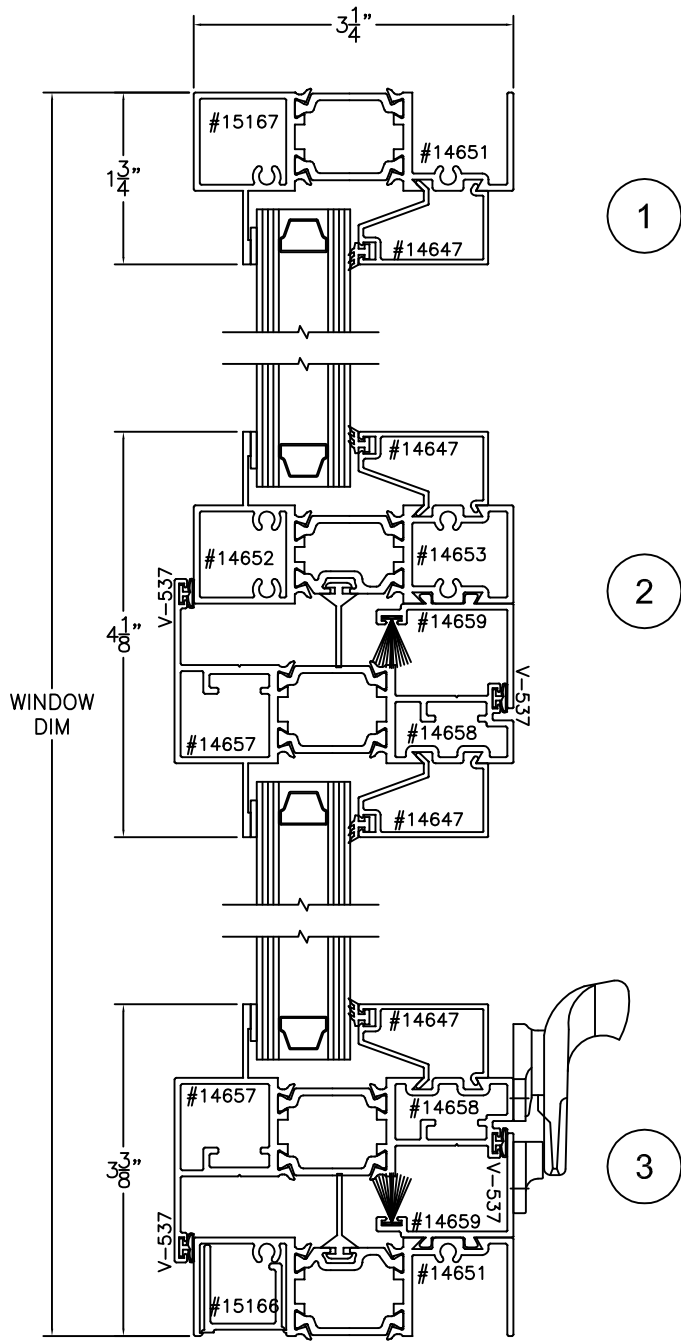
ALL SEASONS
 ARCHITECTURAL WINDOWS MFG.
 1293 N. Harvey Mitchell Pkwy.
 Phone: (979) 823-6557
 Fax: (979) 823-1005

IMPACT:	NO	COMPATIBLE SERIES:	FAMILY:	3250	SCALE:	1:2	REVISION:	A	SHEET NUMBER
BLAST:	NO		DESCRIPTION:	E3062 FIXED OVER CASEMENT					
TDI NO:									
FLORIDA NO:			THIS DRAWING CONTAINS CONFIDENTIAL INFORMATION WHICH IS THE PROPERTY OF ALL SEASONS. RECEIPT OR POSSESSION OF REPRODUCTIONS OF THIS DRAWING OR POSSESSION OF REPRODUCTIONS OF THIS DRAWING DOES NOT CONFER ANY RIGHTS OR LICENSE TO USE INFORMATION CONTAINED HEREIN WITHOUT THE WRITTEN CONSENT OF ALL SEASONS.						
			DRAWN BY:		DATE DRAWN:	10/2/18	SHEET SIZE:	A	



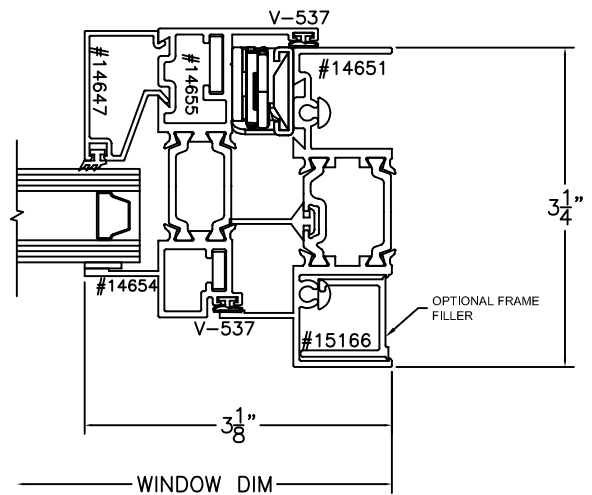
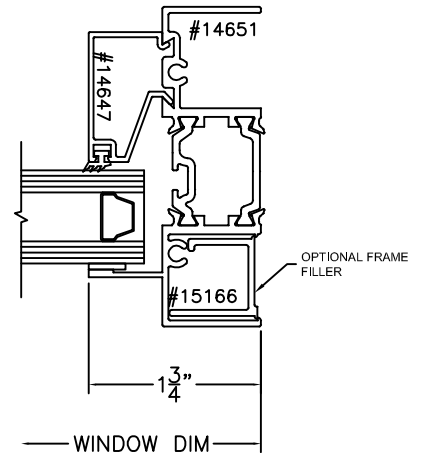
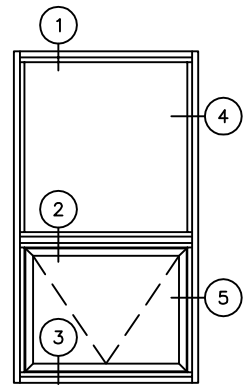
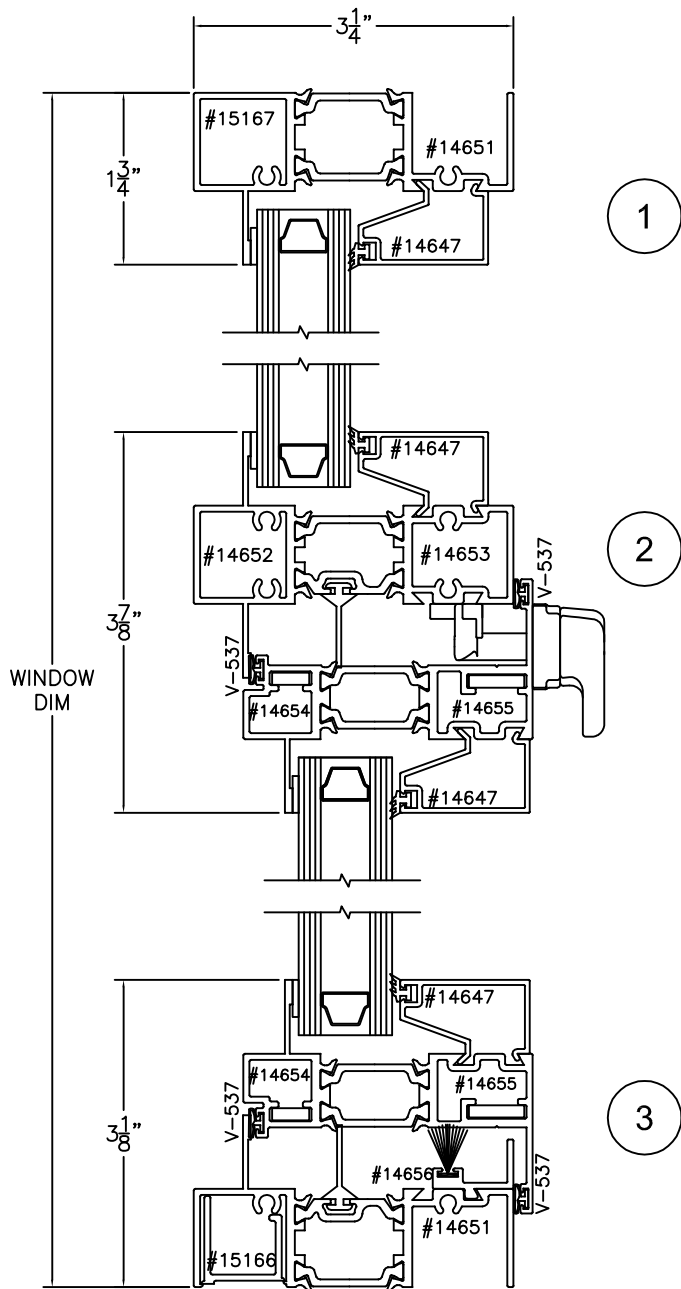
ALL SEASONS
 ARCHITECTURAL WINDOWS MFG.
 1293 N. Harvey Mitchell Pkwy.
 Phone: (979) 823-6557
 Fax: (979) 823-1005

IMPACT:	NO	COMPATIBLE SERIES:	FAMILY:	3250	SCALE:	1:2	REVISION:	A	SHEET NUMBER
BLAST:	NO		DESCRIPTION:	E3062 TWIN CASEMENTS					
TDI NO:									
FLORIDA NO:			THIS DRAWING CONTAINS CONFIDENTIAL INFORMATION WHICH IS THE PROPERTY OF ALL SEASONS. RECEIPT OR POSSESSION OF REPRODUCTIONS OF THIS DRAWING OR POSSESSION OF REPRODUCTIONS OF THIS DRAWING DOES NOT CONFER ANY RIGHTS OR LICENSE TO USE INFORMATION CONTAINED HEREIN WITHOUT THE WRITTEN CONSENT OF ALL SEASONS.						
			DRAWN BY:		DATE DRAWN:	10/2/18	SHEET SIZE:	A	



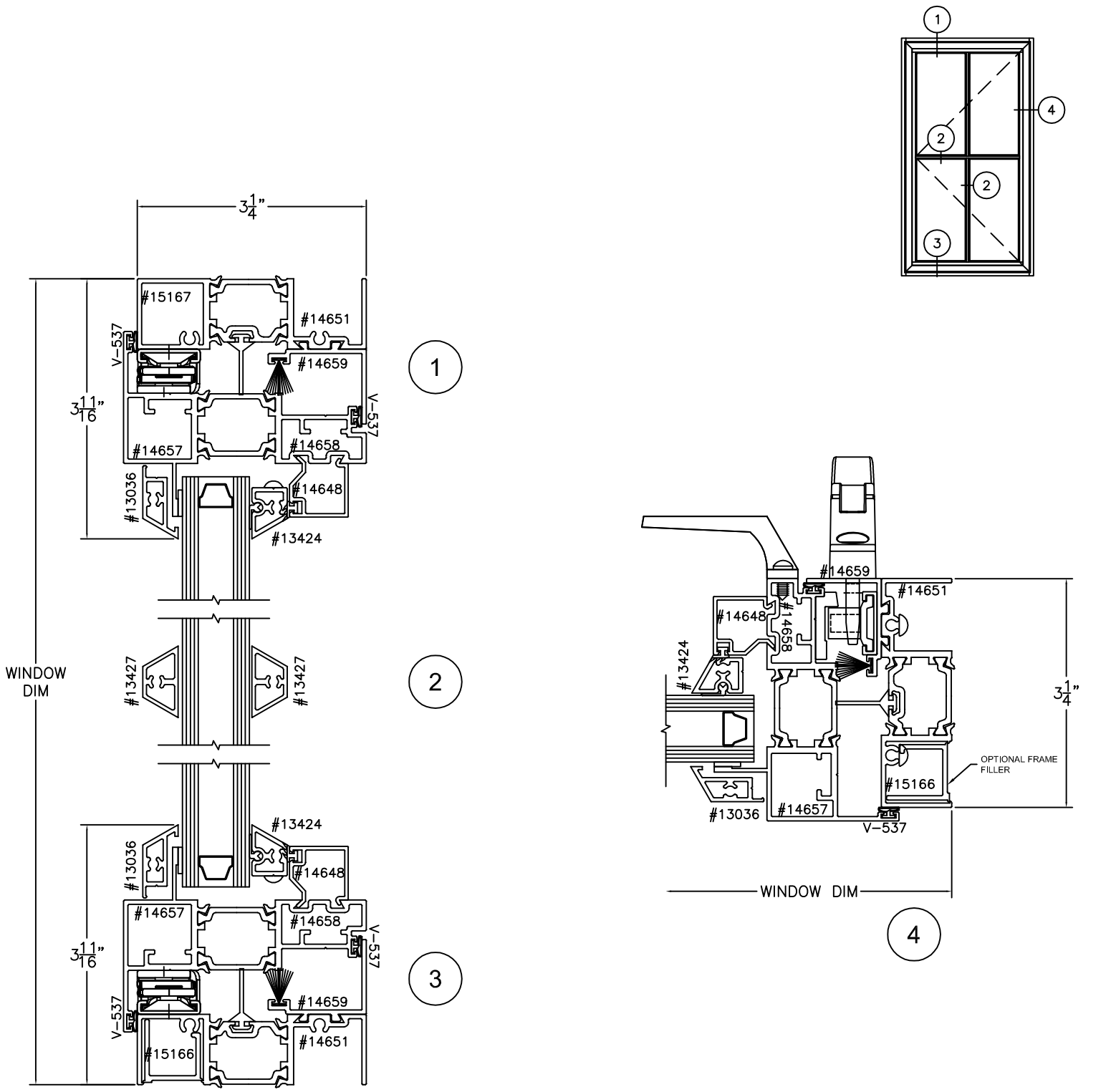
ALL SEASONS
ARCHITECTURAL WINDOWS MFG.
 1293 N. Harvey Mitchell Pkwy.
 Phone: (979) 823-6557
 Fax: (979) 823-1005

IMPACT:	NO	COMPATIBLE SERIES:	FAMILY:	3250	SCALE:	1:2	REVISION:	A	SHEET NUMBER
BLAST:	NO		DESCRIPTION:	E3062 FIXED OVER PROJECT OUT					
TDI NO:			THIS DRAWING CONTAINS CONFIDENTIAL INFORMATION WHICH IS THE PROPERTY OF ALL SEASONS. RECEIPT OR POSSESSION OF REPRODUCTIONS OF THIS DRAWING OR POSSESSION OF REPRODUCTIONS OF THIS DRAWING DOES NOT CONFER ANY RIGHTS OR LICENSE TO USE INFORMATION CONTAINED HEREIN WITHOUT THE WRITTEN CONSENT OF ALL SEASONS.						
FLORIDA NO:			DRAWN BY:		DATE DRAWN:	10/2/18	SHEET SIZE:	A	1 OF 1



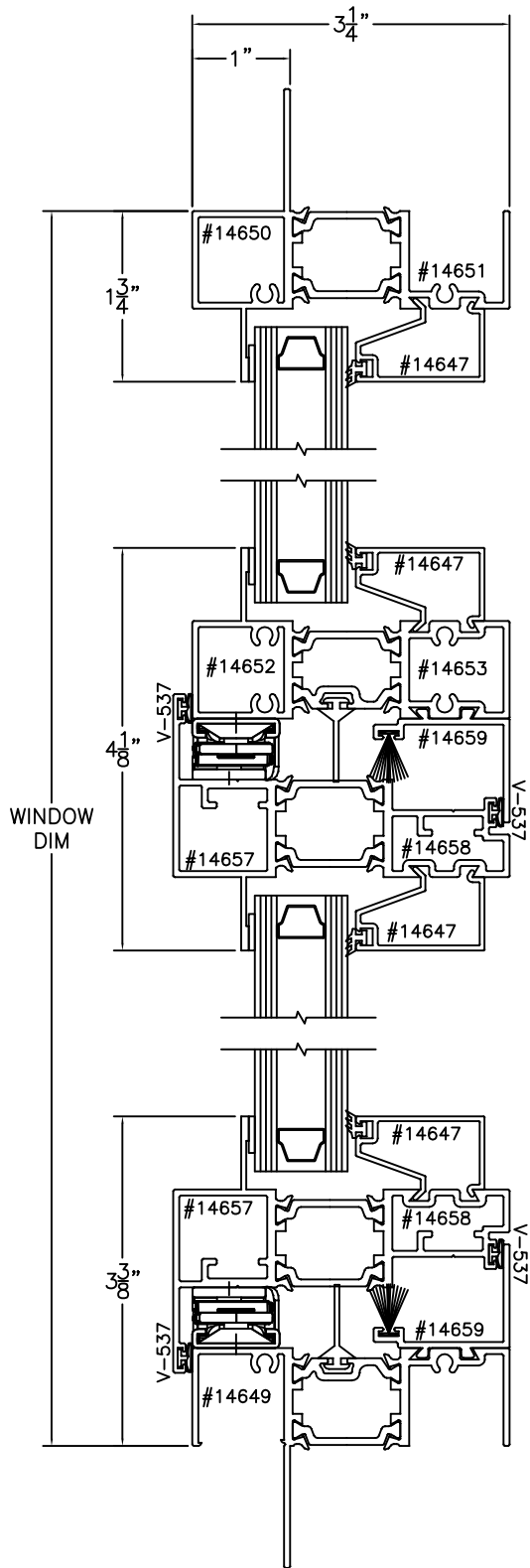
ALL SEASONS
ARCHITECTURAL WINDOWS MFG.
 1293 N. Harvey Mitchell Pkwy.
 Phone: (979) 823-6557
 Fax: (979) 823-1005

IMPACT:	NO	COMPATIBLE SERIES:	FAMILY:	3250	SCALE:	1:2	REVISION:	A	SHEET NUMBER
BLAST:	NO		DESCRIPTION:	E3062 FIXED OVER PROJECT IN					
TDI NO:									
FLORIDA NO:			THIS DRAWING CONTAINS CONFIDENTIAL INFORMATION WHICH IS THE PROPERTY OF ALL SEASONS. RECEIPT OR POSSESSION OF REPRODUCTIONS OF THIS DRAWING OR POSSESSION OF REPRODUCTIONS OF THIS DRAWING DOES NOT CONFER ANY RIGHTS OR LICENSE TO USE INFORMATION CONTAINED HEREIN WITHOUT THE WRITTEN CONSENT OF ALL SEASONS.						
			DRAWN BY:		DATE DRAWN:	10/2/18	SHEET SIZE:	A	



ALL SEASONS
ARCHITECTURAL WINDOWS MFG.
 1293 N. Harvey Mitchell Pkwy.
 Phone: (979) 823-6557
 Fax: (979) 823-1005

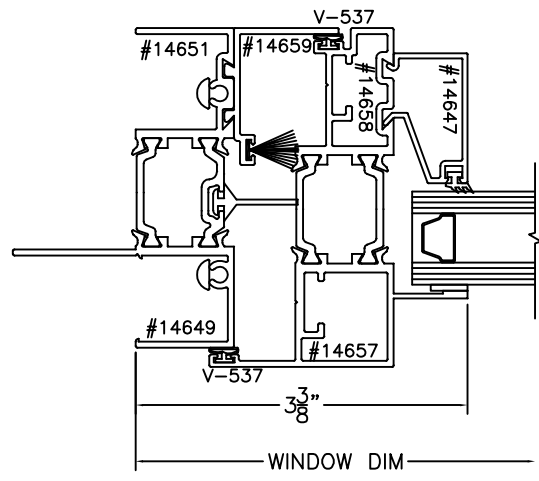
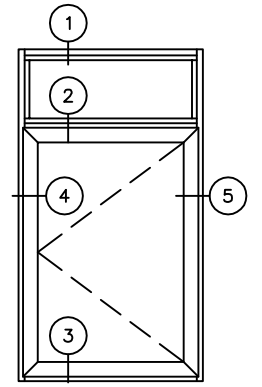
IMPACT:	NO	COMPATIBLE SERIES:	FAMILY:	3250	SCALE:	1:2	REVISION:	A	SHEET NUMBER
BLAST:	NO		DESCRIPTION:	E3062 CASEMENT w/ APPLIED GRIDS					
TDI NO:			THIS DRAWING CONTAINS CONFIDENTIAL INFORMATION WHICH IS THE PROPERTY OF ALL SEASONS. RECEIPT OR POSSESSION OF REPRODUCTIONS OF THIS DRAWING OR POSSESSION OF REPRODUCTIONS OF THIS DRAWING DOES NOT CONFER ANY RIGHTS OR LICENSE TO USE INFORMATION CONTAINED HEREIN WITHOUT THE WRITTEN CONSENT OF ALL SEASONS.						
FLORIDA NO:			DRAWN BY:		DATE DRAWN:	10/2/18	SHEET SIZE:	A	1 OF 1



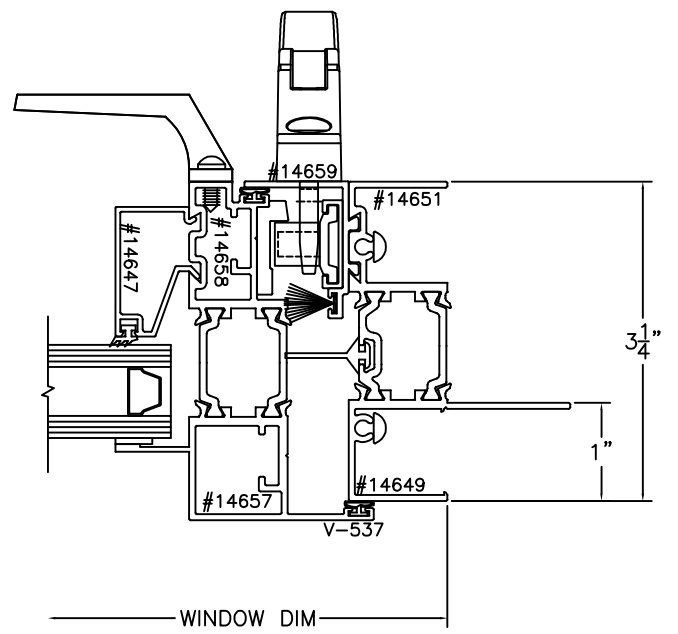
1

2

3



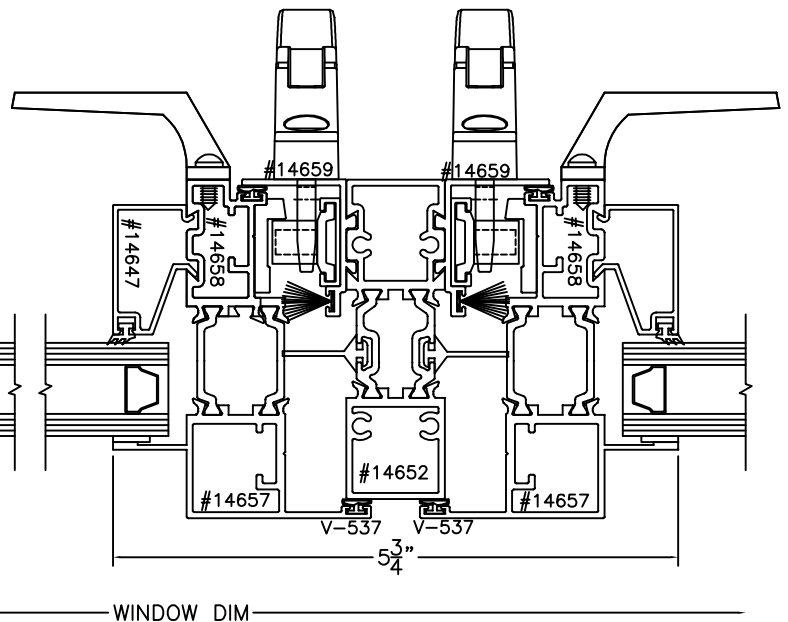
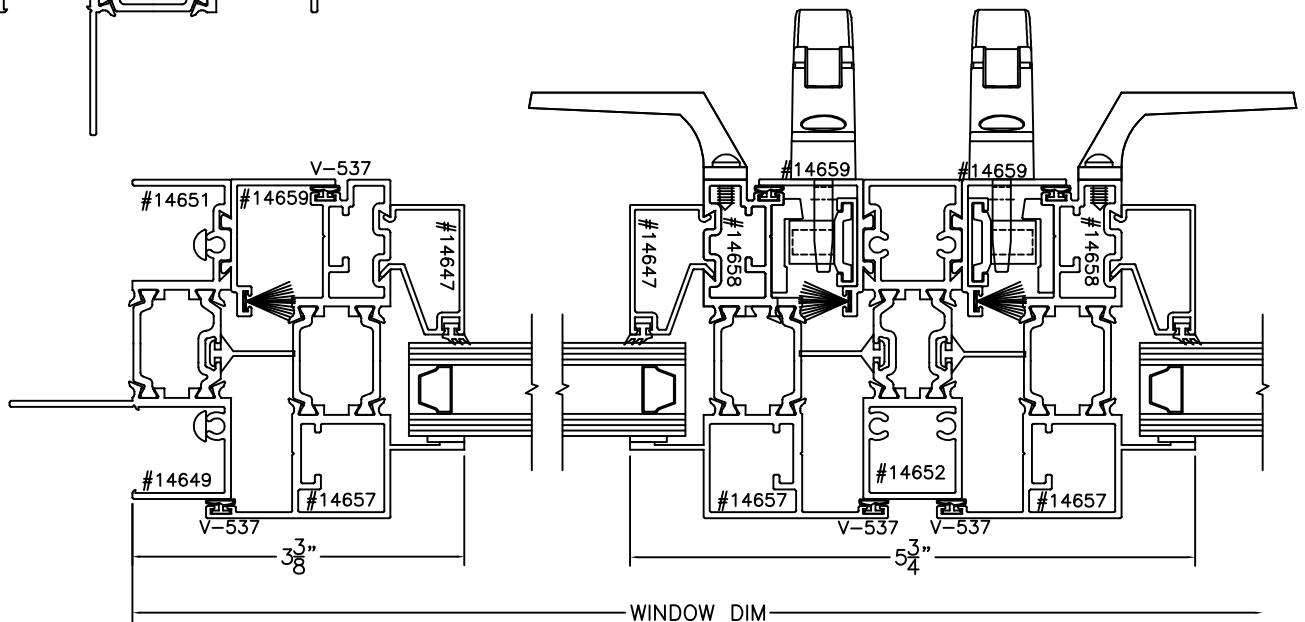
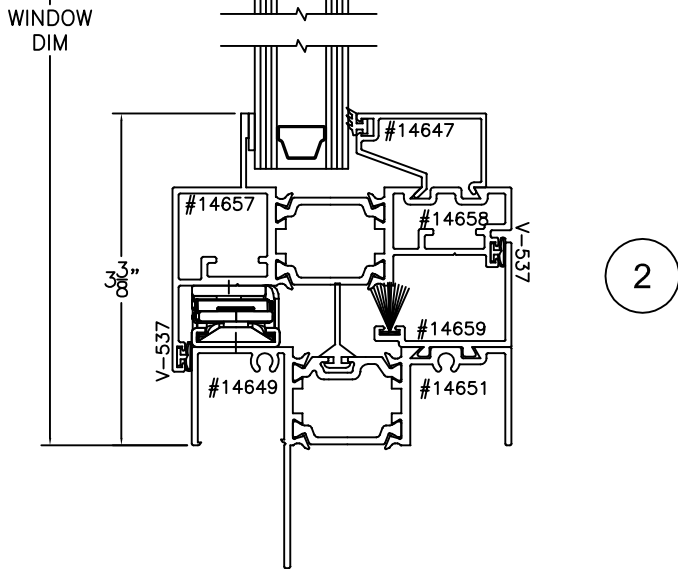
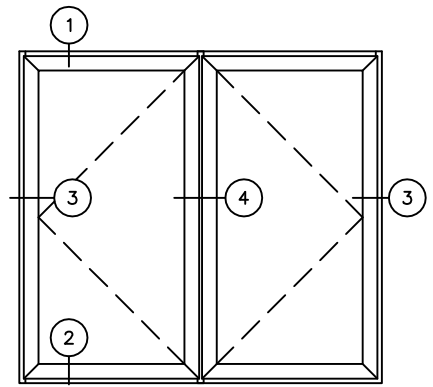
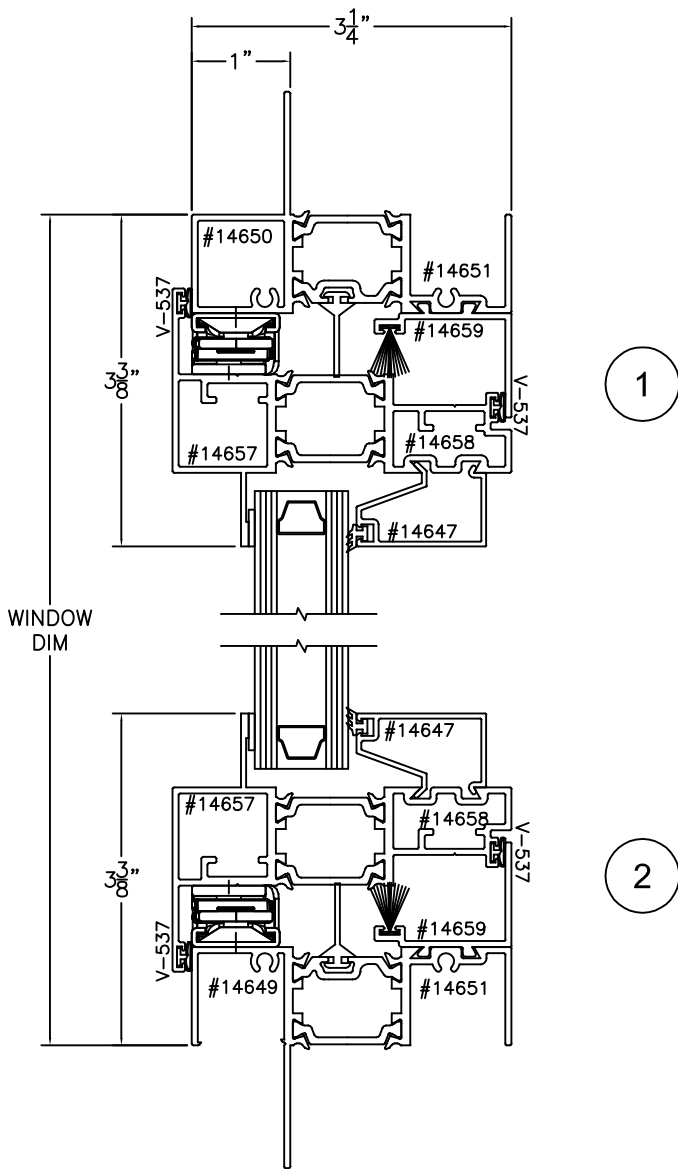
4



5

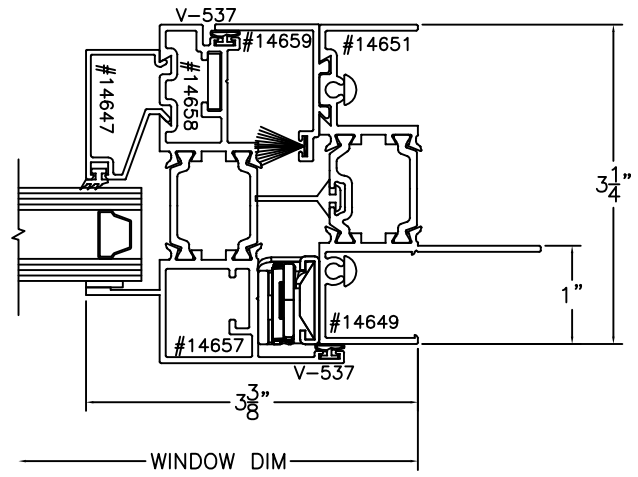
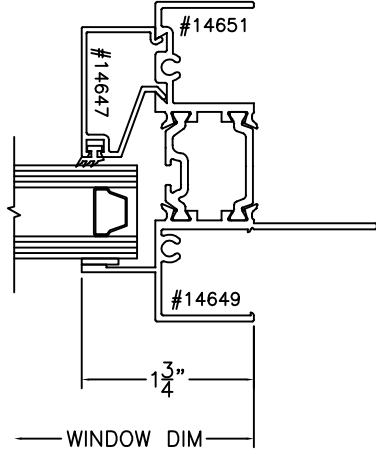
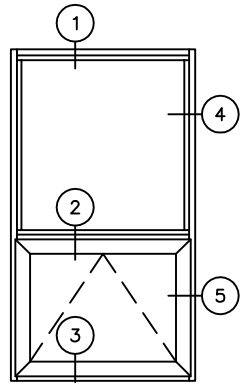
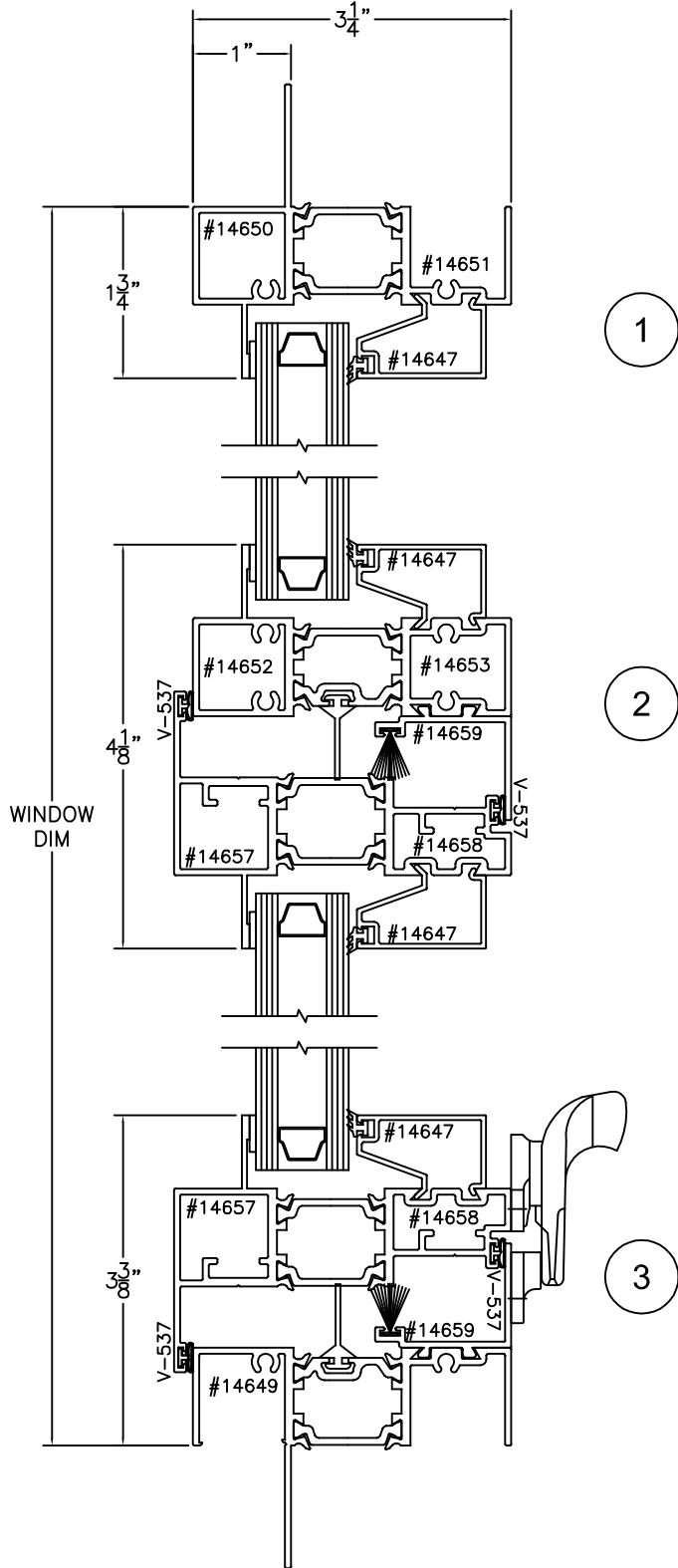
ALL SEASONS
 ARCHITECTURAL WINDOWS MFG.
 1293 N. Harvey Mitchell Pkwy.
 Phone: (979) 823-6557
 Fax: (979) 823-1005

IMPACT:	NO	COMPATIBLE SERIES:	FAMILY:	3250	SCALE:	1:2	REVISION:	A	SHEET NUMBER
BLAST:	NO		DESCRIPTION:	E3062 FIXED FRAME OVER CASEMENT					
TDI NO:			THIS DRAWING CONTAINS CONFIDENTIAL INFORMATION WHICH IS THE PROPERTY OF ALL SEASONS. RECEIPT OR POSSESSION OF REPRODUCTIONS OF THIS DRAWING OR POSSESSION OF REPRODUCTIONS OF THIS DRAWING DOES NOT CONFER ANY RIGHTS OR LICENSE TO USE INFORMATION CONTAINED HEREIN WITHOUT THE WRITTEN CONSENT OF ALL SEASONS.						
FLORIDA NO:			DRAWN BY:		DATE DRAWN:	10/2/18	SHEET SIZE:	A	1 OF 1



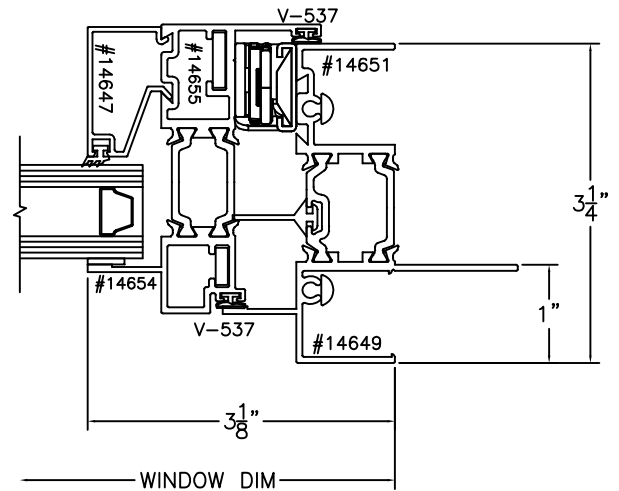
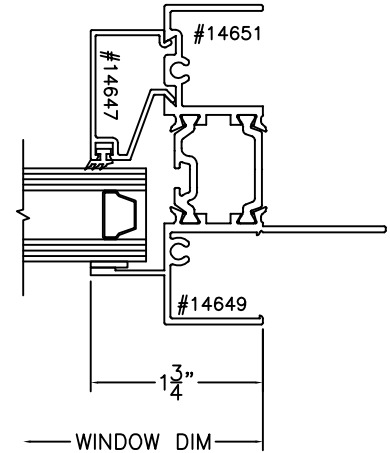
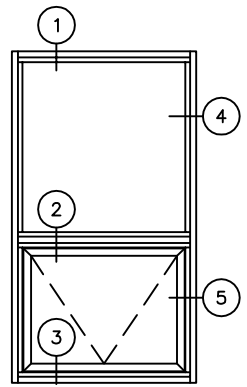
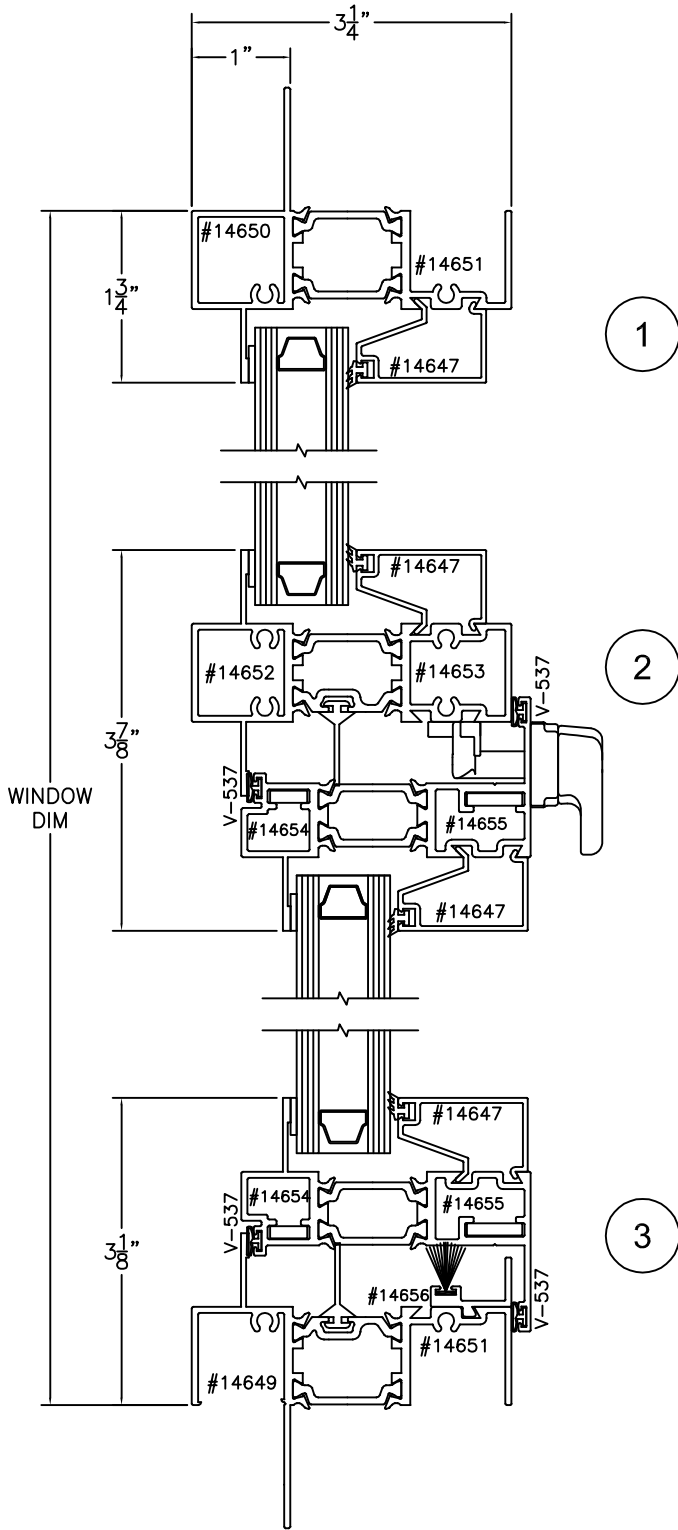
ALL SEASONS
 ARCHITECTURAL WINDOWS MFG.
 1293 N. Harvey Mitchell Pkwy.
 Phone: (979) 823-6557
 Fax: (979) 823-1005

IMPACT:	NO	COMPATIBLE SERIES:	FAMILY:	3250	SCALE:	1:2	REVISION:	A	SHEET NUMBER
BLAST:	NO		DESCRIPTION:	E3062 TWIN CASEMENTS					
TDI NO:									
FLORIDA NO:			THIS DRAWING CONTAINS CONFIDENTIAL INFORMATION WHICH IS THE PROPERTY OF ALL SEASONS. RECEIPT OR POSSESSION OF REPRODUCTIONS OF THIS DRAWING OR POSSESSION OF REPRODUCTIONS OF THIS DRAWING DOES NOT CONFER ANY RIGHTS OR LICENSE TO USE INFORMATION CONTAINED HEREIN WITHOUT THE WRITTEN CONSENT OF ALL SEASONS.						
			DRAWN BY:		DATE DRAWN:	10/2/18	SHEET SIZE:	A	



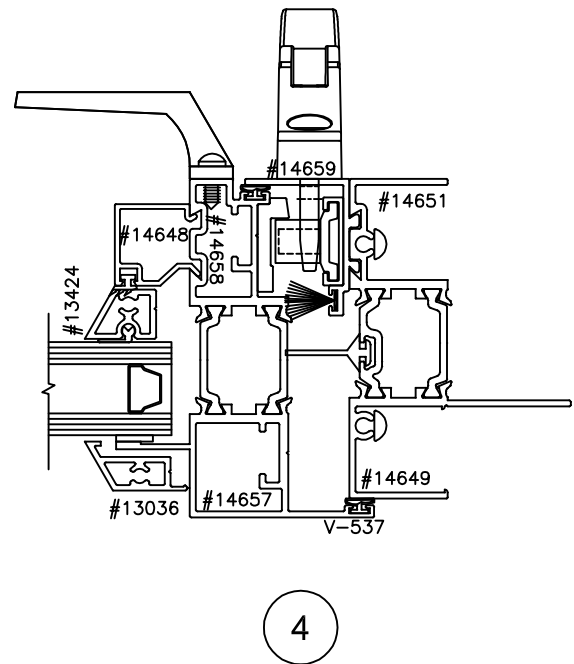
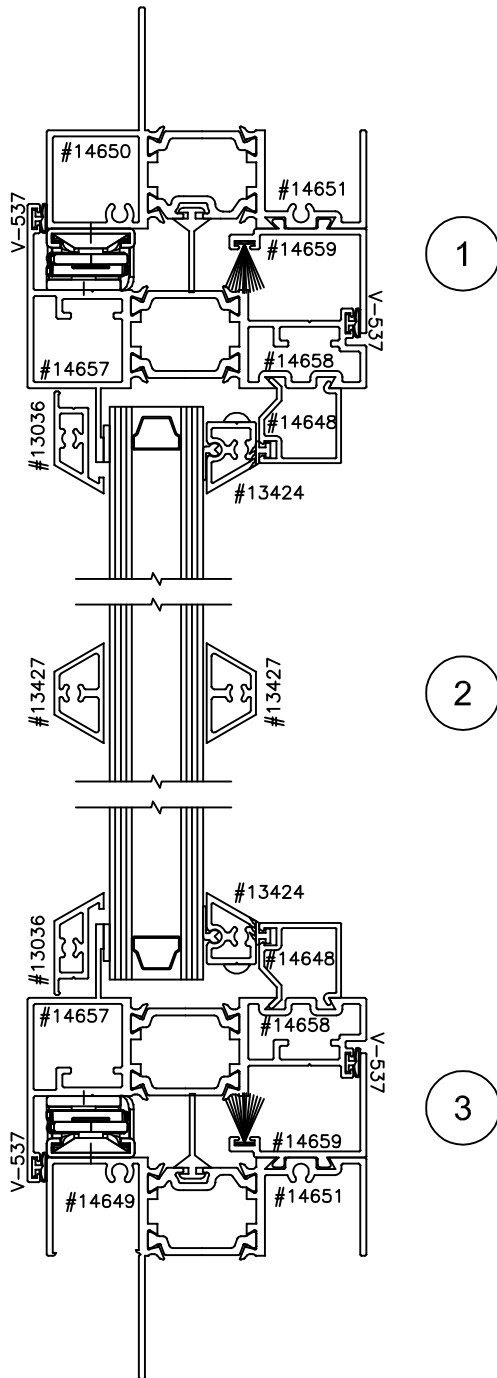
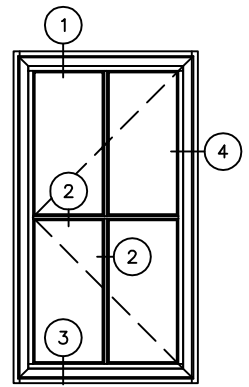
ALL SEASONS
ARCHITECTURAL WINDOWS MFG.
 1293 N. Harvey Mitchell Pkwy.
 Phone: (979) 823-6557
 Fax: (979) 823-1005

IMPACT:	NO	COMPATIBLE SERIES:	FAMILY:	3250	SCALE:	1:2	REVISION:	A	SHEET NUMBER
BLAST:	NO		DESCRIPTION:	E3062 FIXED FRAME OVER PROJECT OUT					
TDI NO:			THIS DRAWING CONTAINS CONFIDENTIAL INFORMATION WHICH IS THE PROPERTY OF ALL SEASONS. RECEIPT OR POSSESSION OF REPRODUCTIONS OF THIS DRAWING OR POSSESSION OF REPRODUCTIONS OF THIS DRAWING DOES NOT CONFER ANY RIGHTS OR LICENSE TO USE INFORMATION CONTAINED HEREIN WITHOUT THE WRITTEN CONSENT OF ALL SEASONS.						
FLORIDA NO:									
			DRAWN BY:		DATE DRAWN:	10/2/18	SHEET SIZE:	A	1 OF 1



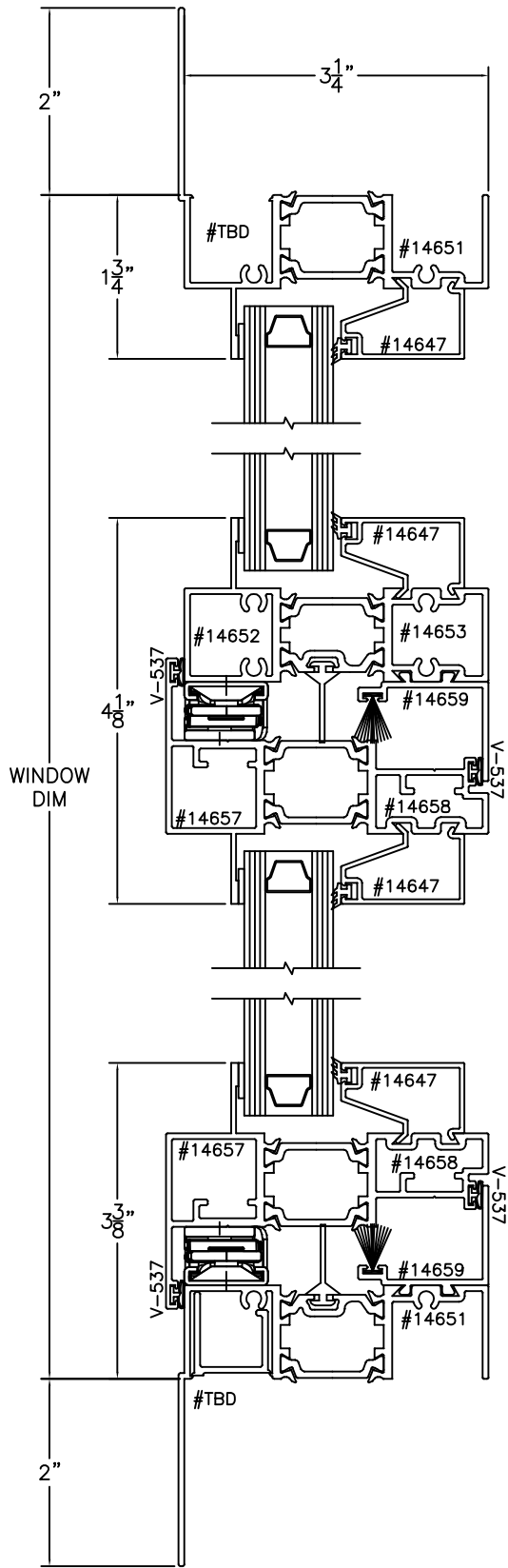
ALL SEASONS
ARCHITECTURAL WINDOWS MFG.
 1293 N. Harvey Mitchell Pkwy.
 Phone: (979) 823-6557
 Fax: (979) 823-1005

IMPACT:	NO	COMPATIBLE SERIES:	FAMILY:	3250	SCALE:	1:2	REVISION:	A	SHEET NUMBER	
BLAST:	NO		DESCRIPTION:							
TDI NO:			E3062 FIXED FRAME OVER PROJECT IN							1 OF 1
FLORIDA NO:										
			THIS DRAWING CONTAINS CONFIDENTIAL INFORMATION WHICH IS THE PROPERTY OF ALL SEASONS. RECEIPT OR POSSESSION OF REPRODUCTIONS OF THIS DRAWING OR POSSESSION OF REPRODUCTIONS OF THIS DRAWING DOES NOT CONFER ANY RIGHTS OR LICENSE TO USE INFORMATION CONTAINED HEREIN WITHOUT THE WRITTEN CONSENT OF ALL SEASONS.							
			DRAWN BY:	DATE DRAWN:		10/2/18	SHEET SIZE:			A



ALL SEASONS
 ARCHITECTURAL WINDOWS MFG.
 1293 N. Harvey Mitchell Pkwy.
 Phone: (979) 823-6557
 Fax: (979) 823-1005

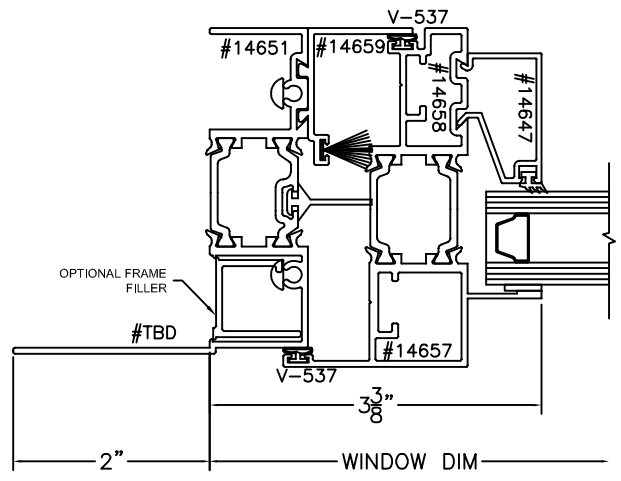
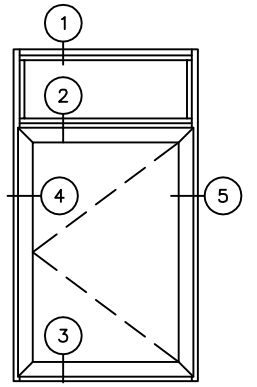
IMPACT:	NO	COMPATIBLE SERIES:	FAMILY:	3250	SCALE:	1:2	REVISION:	A	SHEET NUMBER
BLAST:	NO		DESCRIPTION:	E3062 CASEMENT w/ APPLIED GRIDS					
TDI NO:			THIS DRAWING CONTAINS CONFIDENTIAL INFORMATION WHICH IS THE PROPERTY OF ALL SEASONS. RECEIPT OR POSSESSION OF REPRODUCTIONS OF THIS DRAWING OR POSSESSION OF REPRODUCTIONS OF THIS DRAWING DOES NOT CONFER ANY RIGHTS OR LICENSE TO USE INFORMATION CONTAINED HEREIN WITHOUT THE WRITTEN CONSENT OF ALL SEASONS.						
FLORIDA NO:			DRAWN BY:		DATE DRAWN:	10/2/18	SHEET SIZE:	A	



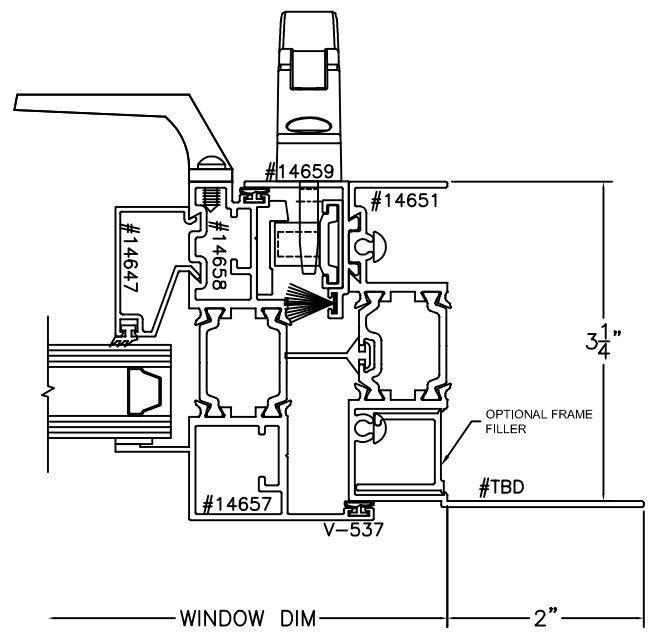
1

2

3



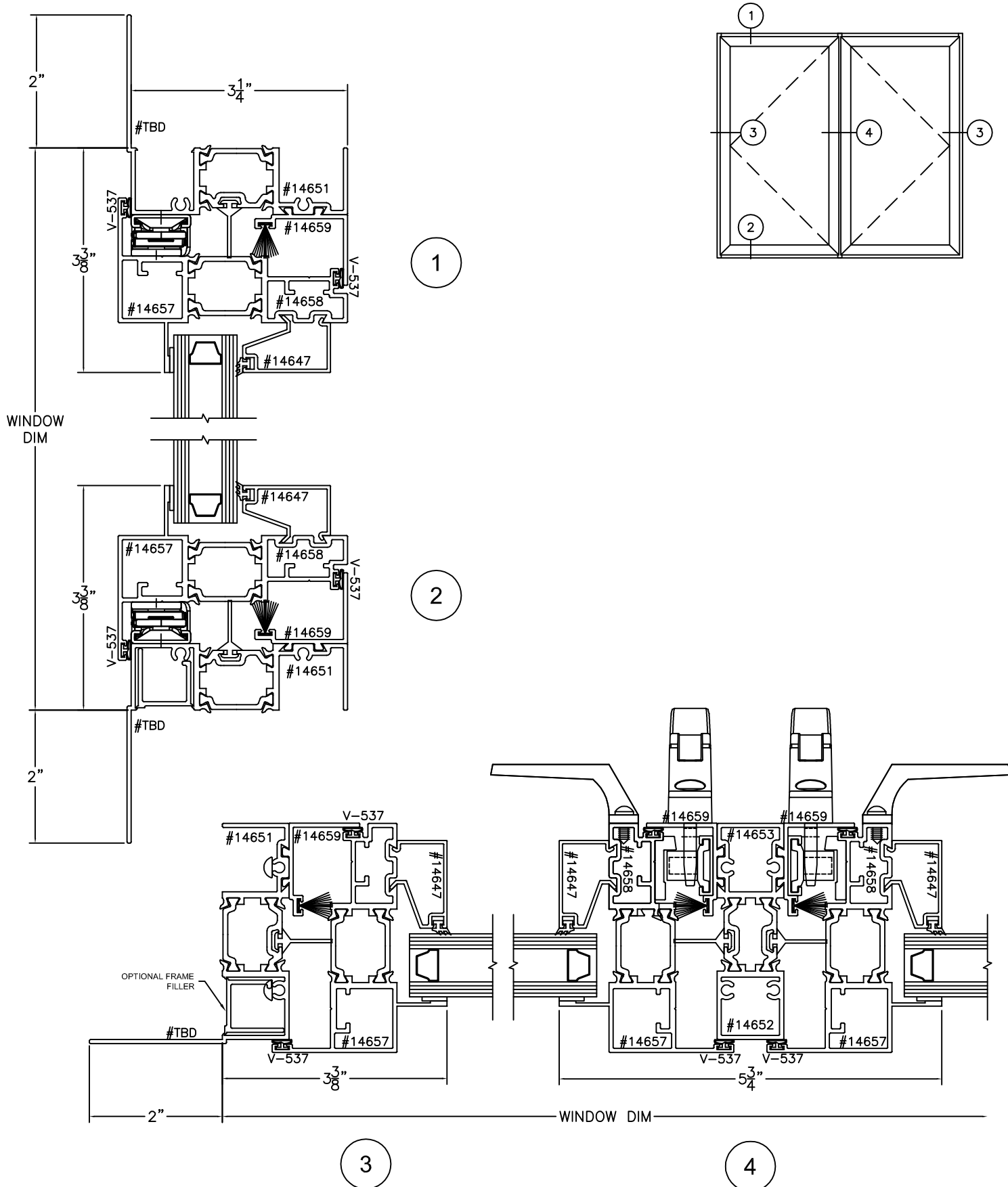
4



5

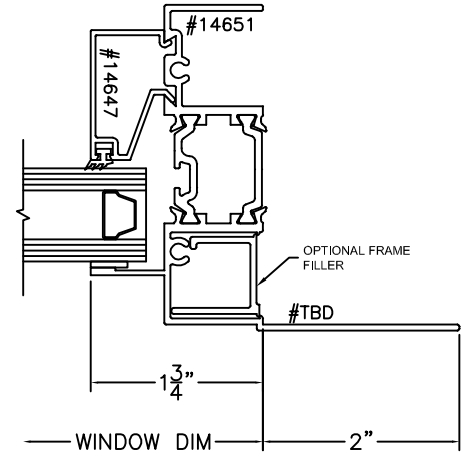
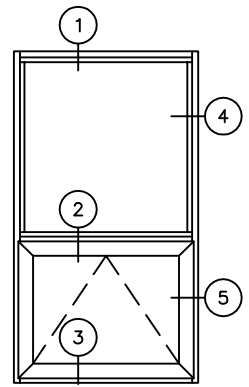
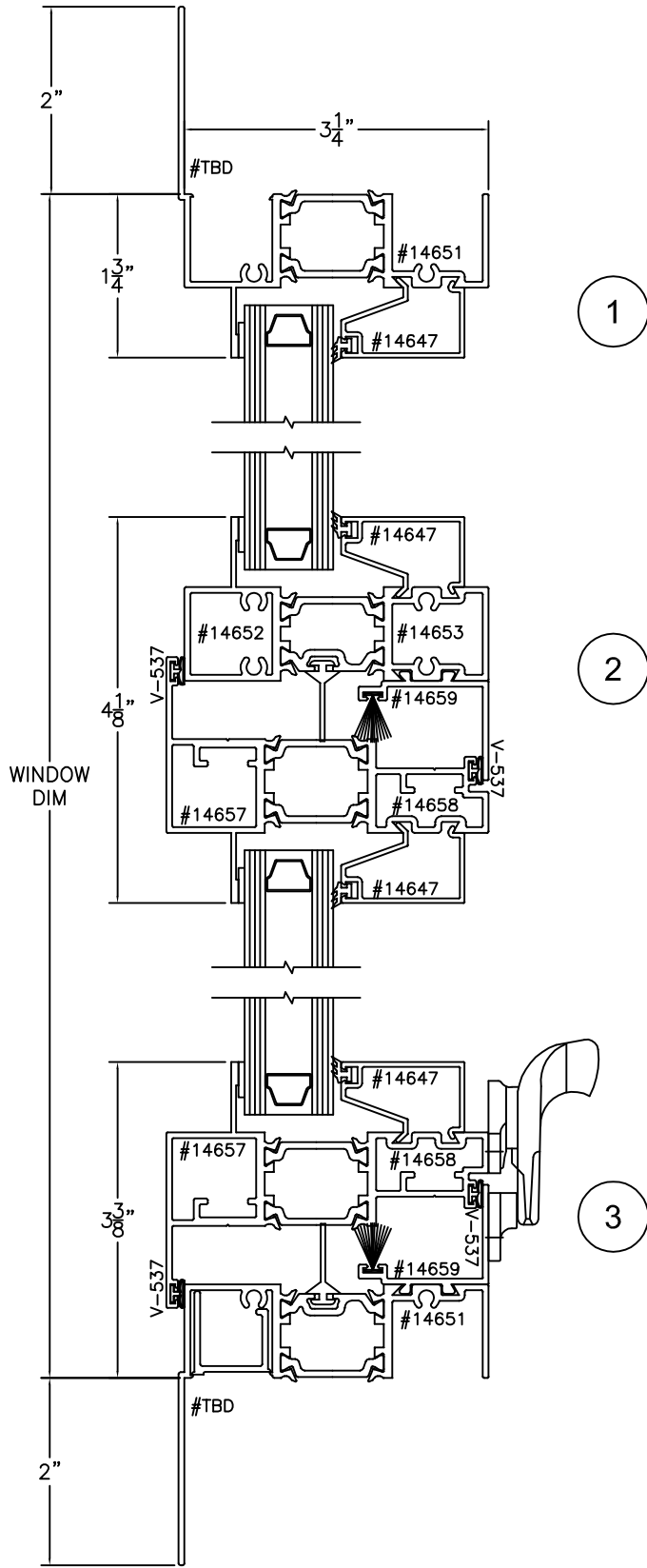
ALL SEASONS
 ARCHITECTURAL WINDOWS MFG.
 1293 N. Harvey Mitchell Pkwy.
 Phone: (979) 823-6557
 Fax: (979) 823-1005

IMPACT:	NO	COMPATIBLE SERIES:	FAMILY:	3250	SCALE:	1:2	REVISION:	A	SHEET NUMBER	
BLAST:	NO		DESCRIPTION:	E3062 FIXED OVER CASEMENT FLANGE						
TDI NO:			THIS DRAWING CONTAINS CONFIDENTIAL INFORMATION WHICH IS THE PROPERTY OF ALL SEASONS. RECEIPT OR POSSESSION OF REPRODUCTIONS OF THIS DRAWING OR POSSESSION OF REPRODUCTIONS OF THIS DRAWING DOES NOT CONFER ANY RIGHTS OR LICENSE TO USE INFORMATION CONTAINED HEREIN WITHOUT THE WRITTEN CONSENT OF ALL SEASONS.							1 OF 1
FLORIDA NO:			DRAWN BY:	DATE DRAWN:	10/2/18	SHEET SIZE:	A			

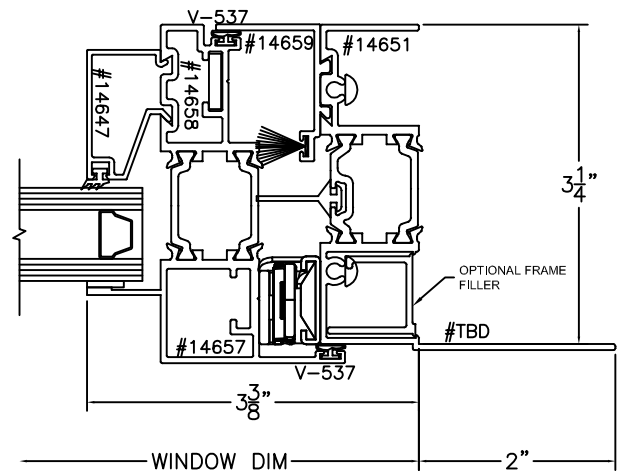


ALL SEASONS
ARCHITECTURAL WINDOWS MFG.
 1293 N. Harvey Mitchell Pkwy.
 Phone: (979) 823-6557
 Fax: (979) 823-1005

IMPACT:	NO	COMPATIBLE SERIES:	FAMILY:	3250	SCALE:	1:2	REVISION:	A	SHEET NUMBER
BLAST:	NO		DESCRIPTION:	E3062 TWIN CASEMENTS FLANGE					
TDI NO:									
FLORIDA NO:			THIS DRAWING CONTAINS CONFIDENTIAL INFORMATION WHICH IS THE PROPERTY OF ALL SEASONS. RECEIPT OR POSSESSION OF REPRODUCTIONS OF THIS DRAWING OR POSSESSION OF REPRODUCTIONS OF THIS DRAWING DOES NOT CONFER ANY RIGHTS OR LICENSE TO USE INFORMATION CONTAINED HEREIN WITHOUT THE WRITTEN CONSENT OF ALL SEASONS.						
			DRAWN BY:		DATE DRAWN:	10/2/18	SHEET SIZE:	A	



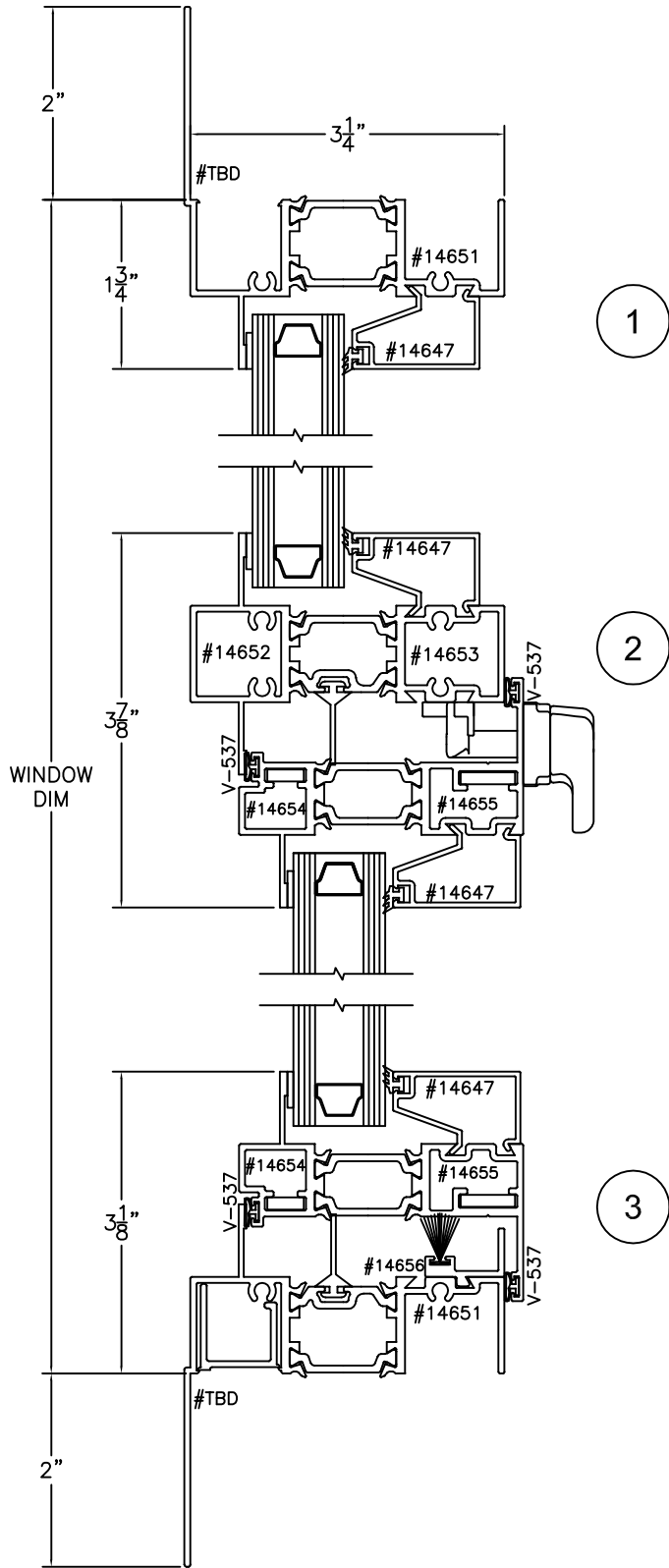
4



5

ALL SEASONS
 ARCHITECTURAL WINDOWS MFG.
 1293 N. Harvey Mitchell Pkwy.
 Phone: (979) 823-6557
 Fax: (979) 823-1005

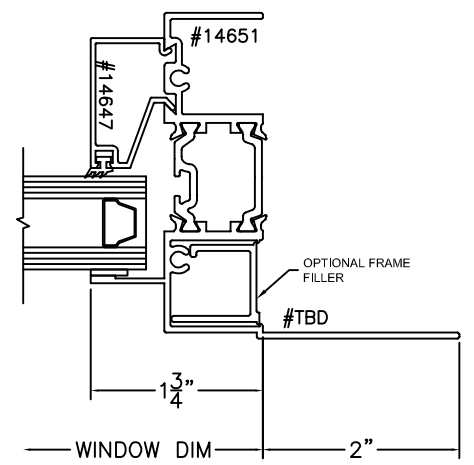
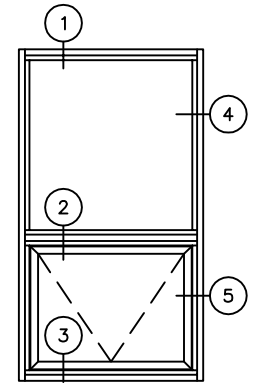
IMPACT:	NO	COMPATIBLE SERIES:	FAMILY:	3250	SCALE:	1:2	REVISION:	A	SHEET NUMBER	
BLAST:	NO		DESCRIPTION:	E3062 FIXED OVER PROJECT OUT FLANGE						1 OF 1
TDI NO:			THIS DRAWING CONTAINS CONFIDENTIAL INFORMATION WHICH IS THE PROPERTY OF ALL SEASONS. RECEIPT OR POSSESSION OF REPRODUCTIONS OF THIS DRAWING OR POSSESSION OF REPRODUCTIONS OF THIS DRAWING DOES NOT CONFER ANY RIGHTS OR LICENSE TO USE INFORMATION CONTAINED HEREIN WITHOUT THE WRITTEN CONSENT OF ALL SEASONS.							
FLORIDA NO:			DRAWN BY:	DATE DRAWN:	10/2/18	SHEET SIZE:	A			



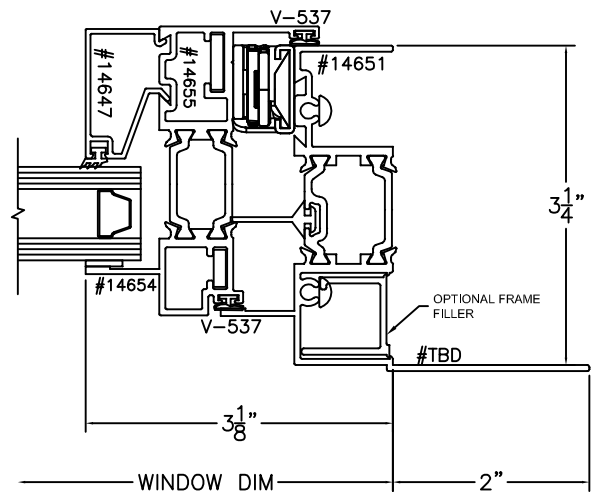
1

2

3



4



5

ALL SEASONS
ARCHITECTURAL WINDOWS MFG.

1293 N. Harvey Mitchell Pkwy.
Phone: (979) 823-6557
Fax: (979) 823-1005

IMPACT:	NO	COMPATIBLE SERIES:	FAMILY:	3250	SCALE:	1:2	REVISION:	A	SHEET NUMBER	
BLAST:	NO		DESCRIPTION:							
TDI NO:			E3062 FIXED OVER PROJECT IN FLANGE							1
FLORIDA NO:										
			THIS DRAWING CONTAINS CONFIDENTIAL INFORMATION WHICH IS THE PROPERTY OF ALL SEASONS. RECEIPT OR POSSESSION OF REPRODUCTIONS OF THIS DRAWING OR POSSESSION OF REPRODUCTIONS OF THIS DRAWING DOES NOT CONFER ANY RIGHTS OR LICENSE TO USE INFORMATION CONTAINED HEREIN WITHOUT THE WRITTEN CONSENT OF ALL SEASONS.							OF
			DRAWN BY:		DATE DRAWN:		10/2/18		SHEET SIZE:	
							A			1

