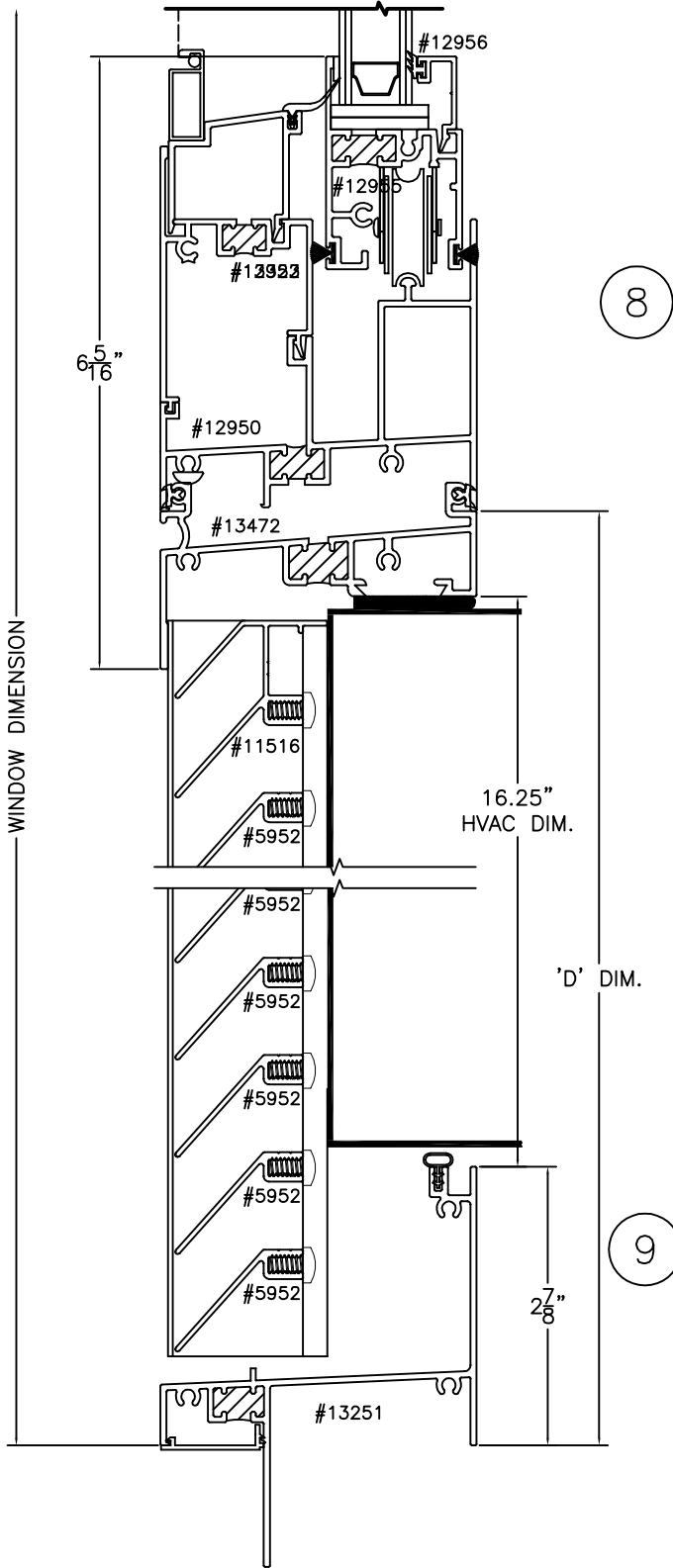


ALL SEASONS
 COMMERCIAL WINDOWS & DOORS

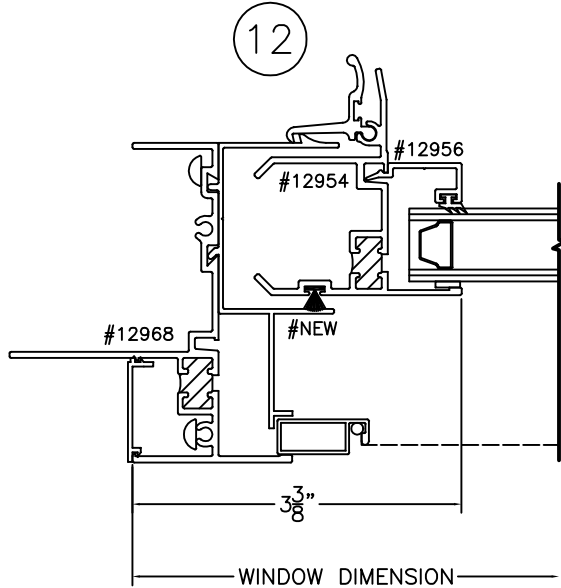
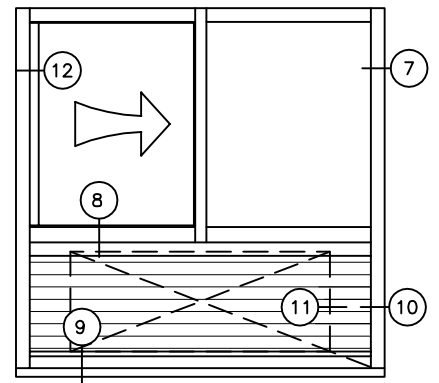
1293 N. Harvey Mitchell Pkwy.
 Phone: (979) 823-6557
 Fax: (979) 823-1005

IMPACT:	NO	COMPATIBLE SERIES:	FAMILY:	3250	SCALE:	1:2	REVISION:	A	SHEET NUMBER
BLAST:	NO		DESCRIPTION:	3250, HORIZONTAL SLIDER, NAIL FIN DETAILS					
TDI NO:		3250SH							
FLORIDA NO:									
			DRAWN BY:	T.Jobb	DATE DRAWN:	06/09/07	SHEET SIZE:	A	1 OF 6

THIS DRAWING CONTAINS CONFIDENTIAL INFORMATION WHICH IS THE PROPERTY OF ALL SEASONS. RECEIPT OR POSSESSION OF REPRODUCTIONS OF THIS DRAWING OR POSSESSION OF REPRODUCTIONS OF THIS DRAWING DOES NOT CONFER ANY RIGHTS OR LICENSE TO USE INFORMATION CONTAINED HEREIN WITHOUT THE WRITTEN CONSENT OF ALL SEASONS.



8

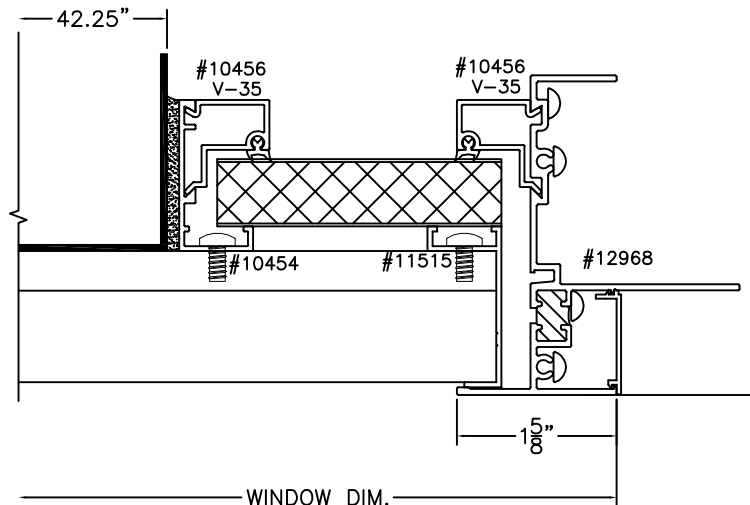


12

'D' DIM.

11

10



WINDOW DIM.

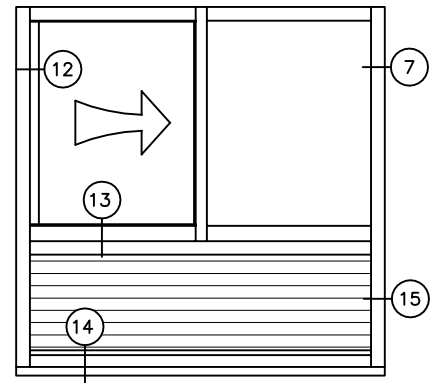
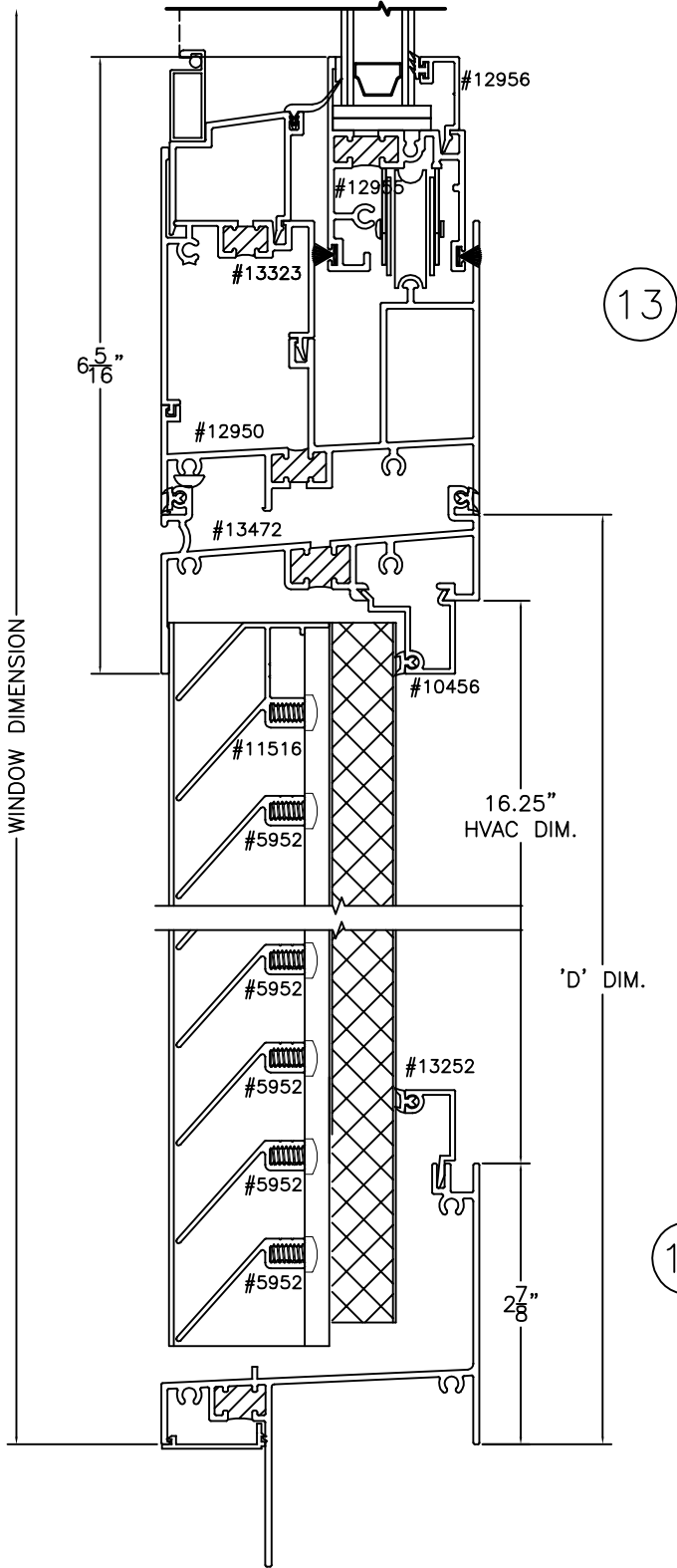
ALL SEASONS
COMMERCIAL WINDOWS & DOORS

1293 N. Harvey Mitchell Pkwy.
Phone: (979) 823-6557
Fax: (979) 823-1005

IMPACT:	NO	COMPATIBLE SERIES:	
BLAST:	NO		3250FF
TDI NO:			3250 SH
FLORIDA NO:			

FAMILY:	3250	SCALE:	1:2	REVISION:	A
DESCRIPTION:					
3250, HORIZONTAL SLIDER OVER LOUVER W/PTAC NAIL FIN DETAILS					
THIS DRAWING CONTAINS CONFIDENTIAL INFORMATION WHICH IS THE PROPERTY OF ALL SEASONS. RECEIPT OR POSSESSION OF REPRODUCTIONS OF THIS DRAWING OR POSSESSION OF REPRODUCTIONS OF THIS DRAWING DOES NOT CONFER ANY RIGHTS OR LICENSE TO USE INFORMATION CONTAINED HEREIN WITHOUT THE WRITTEN CONSENT OF ALL SEASONS.					
DRAWN BY:	T.Jobb	DATE DRAWN:	06/09/17	SHEET SIZE:	A

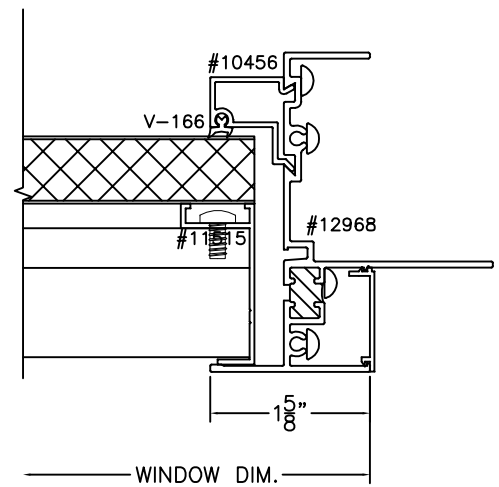
SHEET NUMBER
2
OF
6



'D' DIM.

14

15

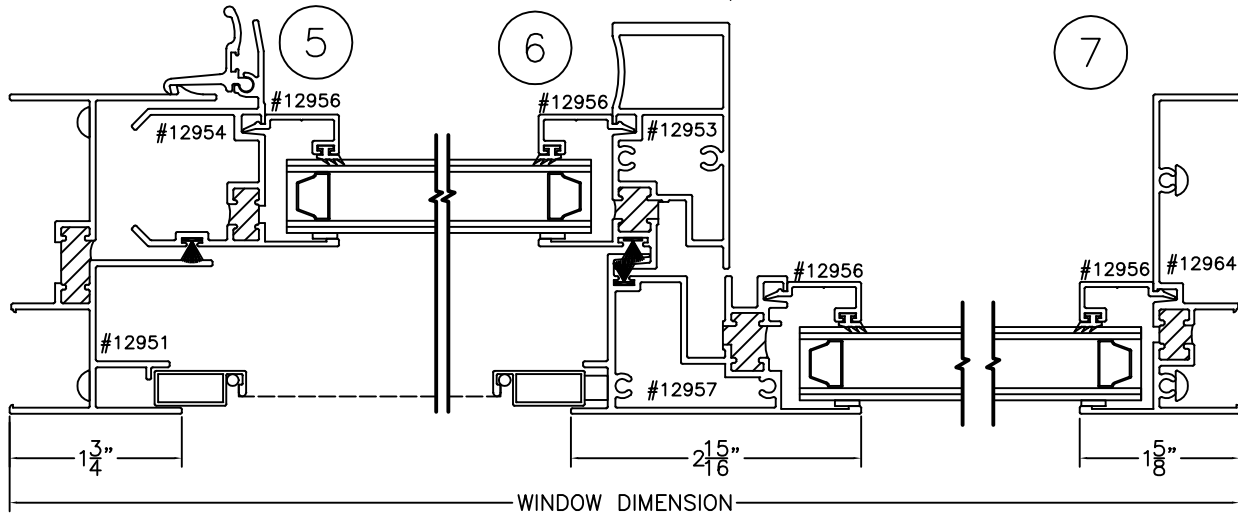
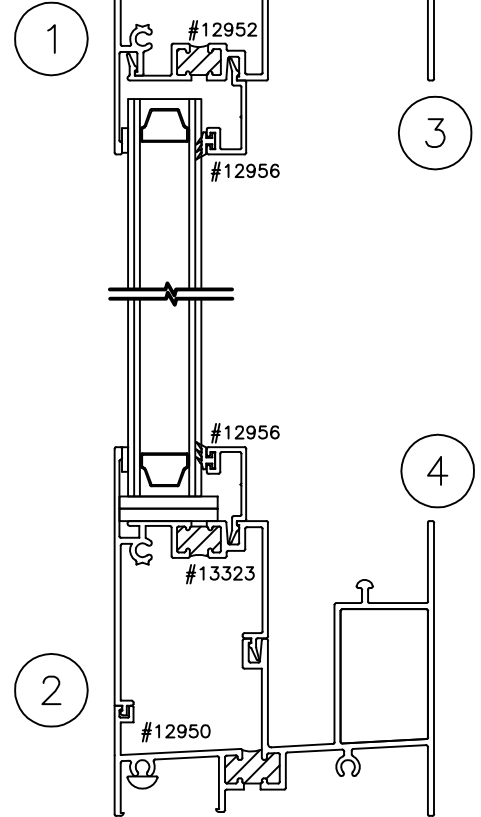
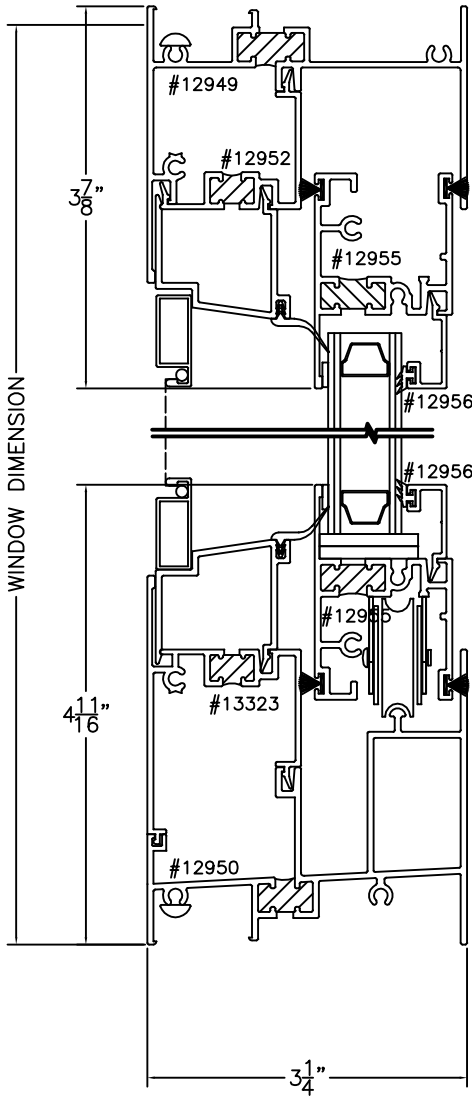
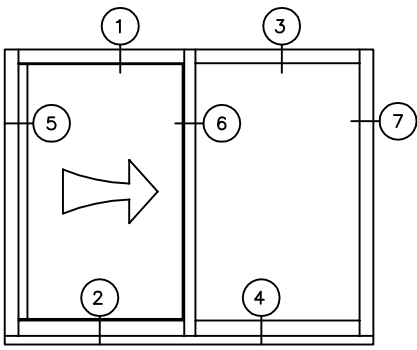


ALL SEASONS
COMMERCIAL WINDOWS & DOORS

1293 N. Harvey Mitchell Pkwy.
Phone: (979) 823-6557
Fax: (979) 823-1005

IMPACT:	NO	COMPATIBLE SERIES:	
BLAST:	NO		3250FF
TDI NO:			3250SH
FLORIDA NO:			

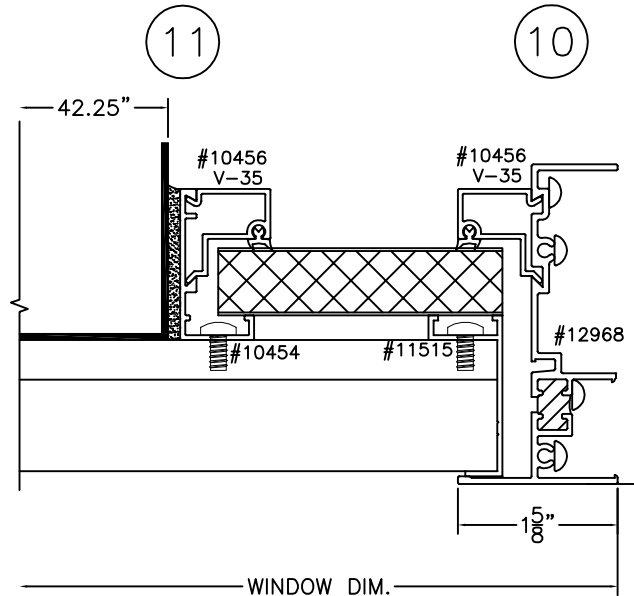
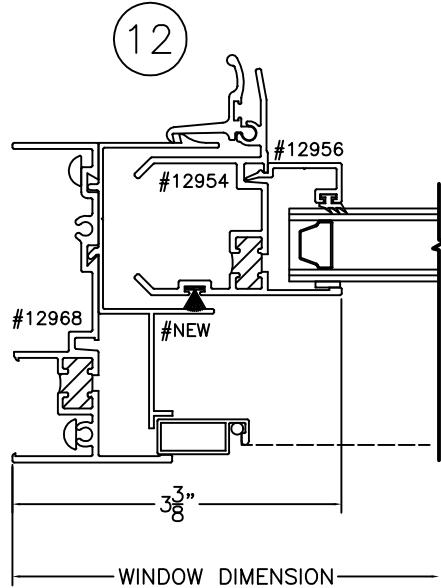
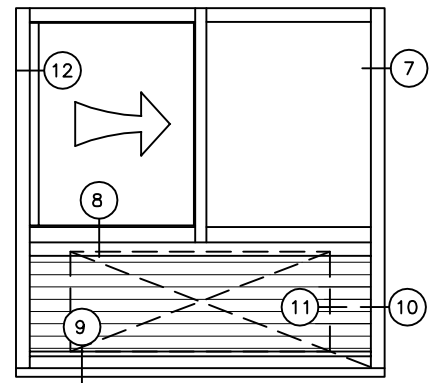
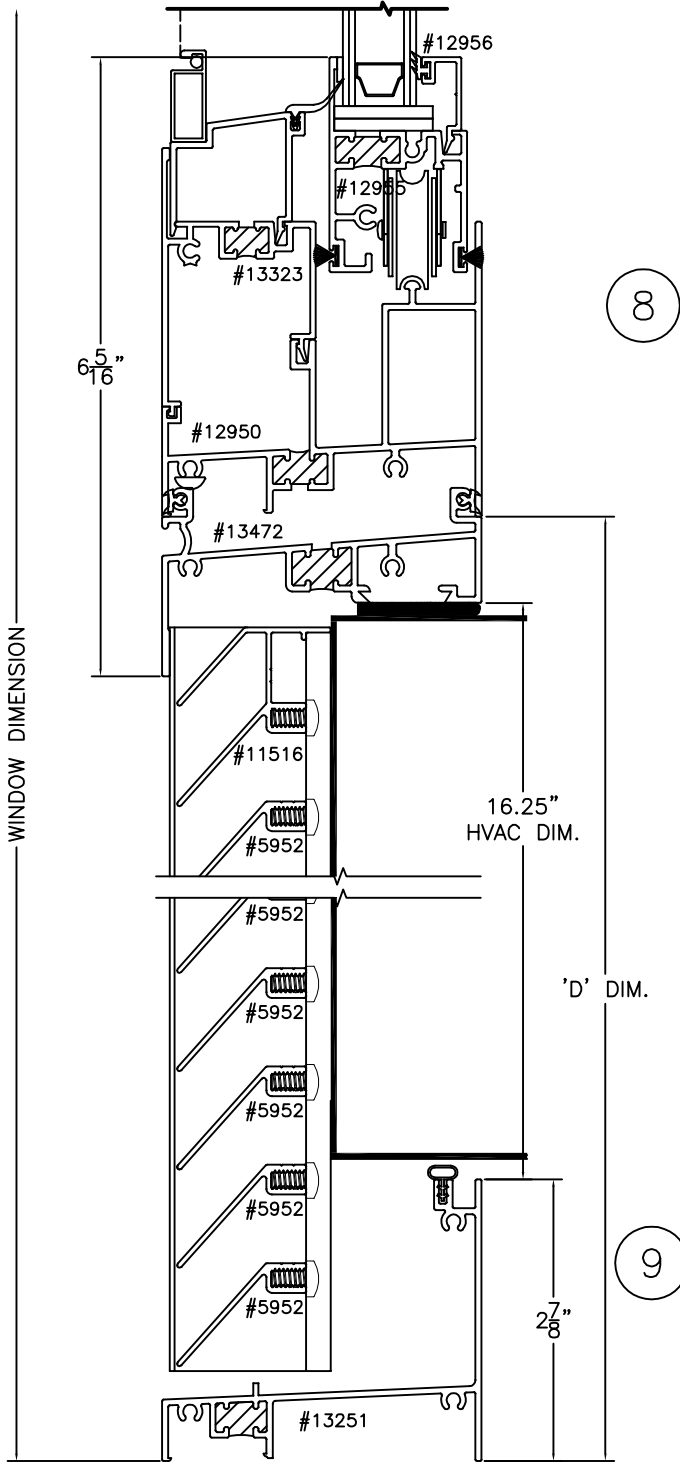
FAMILY:	3250	SCALE:	1:2	REVISION:	A	SHEET NUMBER
DESCRIPTION:						3 OF 6
3250, HORIZONTAL SLIDER OVER LOUVER W/PANEL NAIL FIN DETAILS						
THIS DRAWING CONTAINS CONFIDENTIAL INFORMATION WHICH IS THE PROPERTY OF ALL SEASONS. RECEIPT OR POSSESSION OF REPRODUCTIONS OF THIS DRAWING OR POSSESSION OF REPRODUCTIONS OF THIS DRAWING DOES NOT CONFER ANY RIGHTS OR LICENSE TO USE INFORMATION CONTAINED HEREIN WITHOUT THE WRITTEN CONSENT OF ALL SEASONS.						
DRAWN BY:	T.Jobb	DATE DRAWN:	06-09/17	SHEET SIZE:	A	



ALL SEASONS
COMMERCIAL WINDOWS & DOORS

1293 N. Harvey Mitchell Pkwy.
Phone: (979) 823-6557
Fax: (979) 823-1005

IMPACT:	NO	COMPATIBLE SERIES:	FAMILY:	3250	SCALE:	1:2	REVISION:	A	SHEET NUMBER
BLAST:	NO	3250FF	DESCRIPTION: 3250, HORIZONTAL SLIDER, EQUAL LEG DETAILS						
TDI NO:		3250SH							
FLORIDA NO:			THIS DRAWING CONTAINS CONFIDENTIAL INFORMATION WHICH IS THE PROPERTY OF ALL SEASONS. RECEIPT OR POSSESSION OF REPRODUCTIONS OF THIS DRAWING OR POSSESSION OF REPRODUCTIONS OF THIS DRAWING DOES NOT CONFER ANY RIGHTS OR LICENSE TO USE INFORMATION CONTAINED HEREIN WITHOUT THE WRITTEN CONSENT OF ALL SEASONS.						
			DRAWN BY:	T.Jobb	DATE DRAWN:	06/09/07	SHEET SIZE:	A	4 OF 6

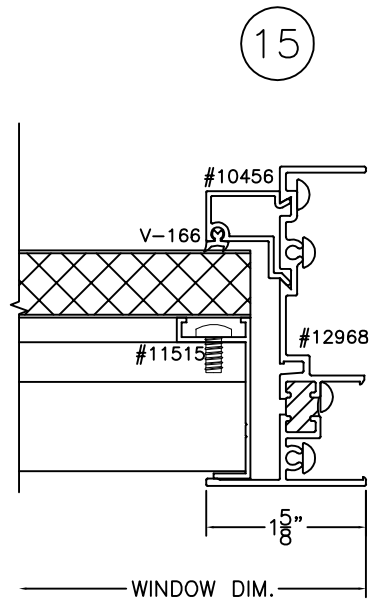
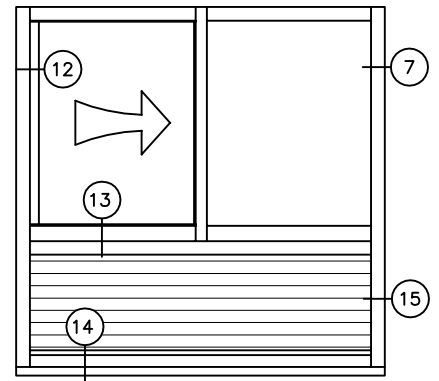
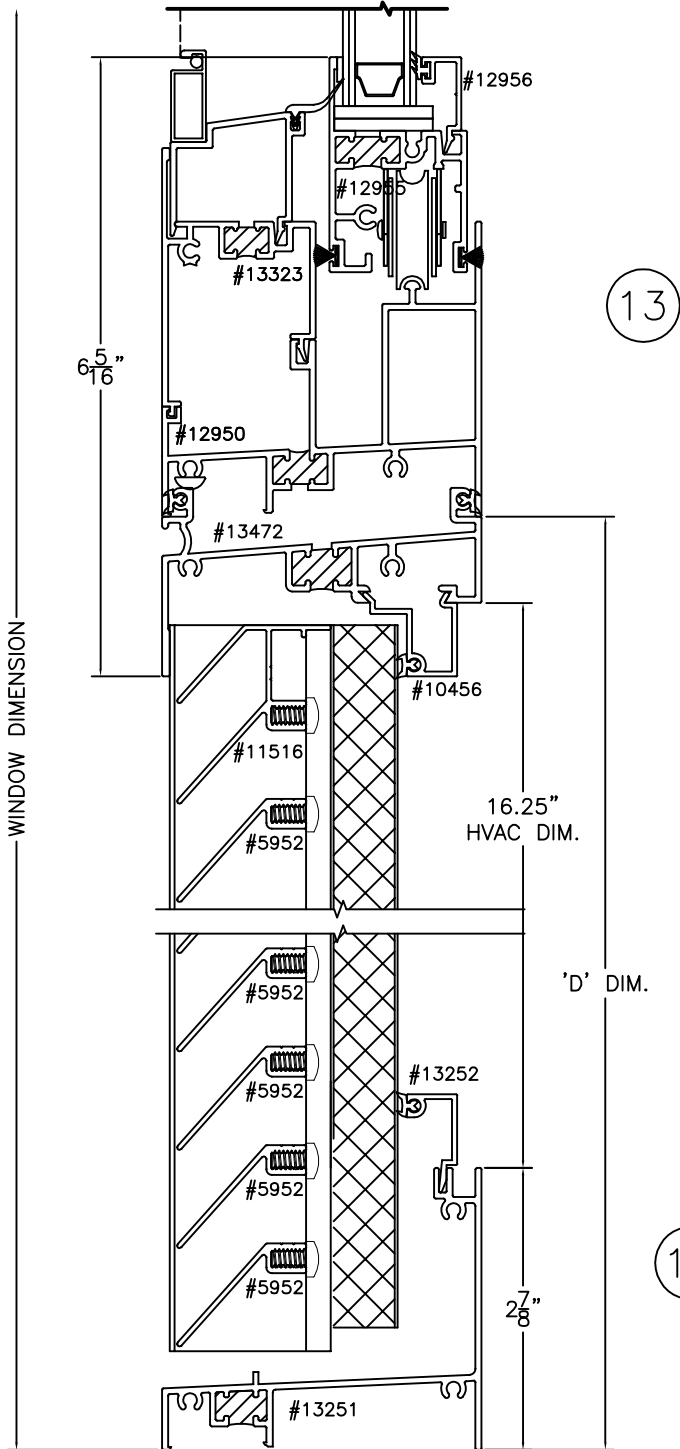


ALL SEASONS
COMMERCIAL WINDOWS & DOORS

1293 N. Harvey Mitchell Pkwy.
Phone: (979) 823-6557
Fax: (979) 823-1005

IMPACT:	NO	COMPATIBLE SERIES:	
BLAST:	NO		3250FF
TDI NO:			3250 SH
FLORIDA NO:			

FAMILY:	3250	SCALE:	1:2	REVISION:	A	SHEET NUMBER
DESCRIPTION:						5 OF 6
3250, HORIZONTAL SLIDER OVER LOUVER W/PTAC EQUAL LEG DETAILS						
THIS DRAWING CONTAINS CONFIDENTIAL INFORMATION WHICH IS THE PROPERTY OF ALL SEASONS. RECEIPT OR POSSESSION OF REPRODUCTIONS OF THIS DRAWING OR POSSESSION OF REPRODUCTIONS OF THIS DRAWING DOES NOT CONFER ANY RIGHTS OR LICENSE TO USE INFORMATION CONTAINED HEREIN WITHOUT THE WRITTEN CONSENT OF ALL SEASONS.						
DRAWN BY:	T.Jobb	DATE DRAWN:	06/09/17	SHEET SIZE:	A	



ALL SEASONS
COMMERCIAL WINDOWS & DOORS

1293 N. Harvey Mitchell Pkwy.
Phone: (979) 823-6557
Fax: (979) 823-1005

IMPACT:	NO	COMPATIBLE SERIES:	FAMILY:	3250	SCALE:	1:2	REVISION:	A	SHEET NUMBER
BLAST:	NO	3250FF	DESCRIPTION: 3250, HORIZONTAL SLIDER OVER LOUVER W/PANEL EQUAL LFG DETAILS						
TDI NO:		3250SH							
FLORIDA NO:									
			DRAWN BY:	T.Jobb	DATE DRAWN:	06-09/17	SHEET SIZE:	A	6 OF 6

THIS DRAWING CONTAINS CONFIDENTIAL INFORMATION WHICH IS THE PROPERTY OF ALL SEASONS. RECEIPT OR POSSESSION OF REPRODUCTIONS OF THIS DRAWING OR POSSESSION OF REPRODUCTIONS OF THIS DRAWING DOES NOT CONFER ANY RIGHTS OR LICENSE TO USE INFORMATION CONTAINED HEREIN WITHOUT THE WRITTEN CONSENT OF ALL SEASONS.