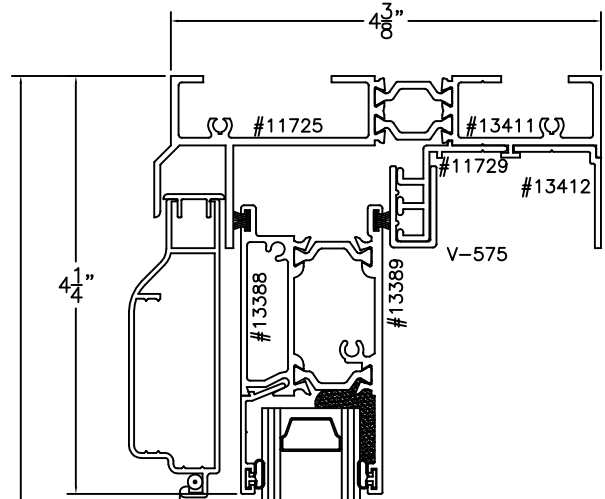


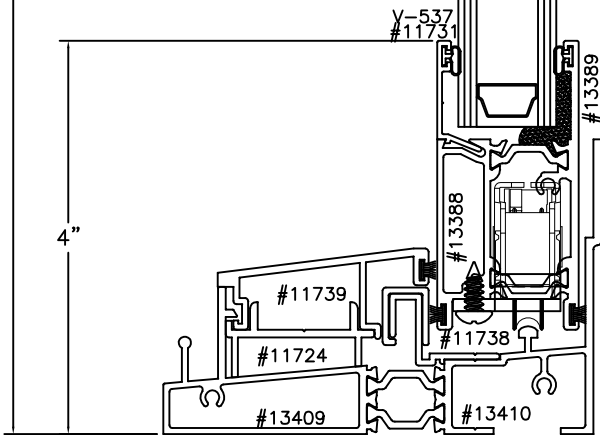
1



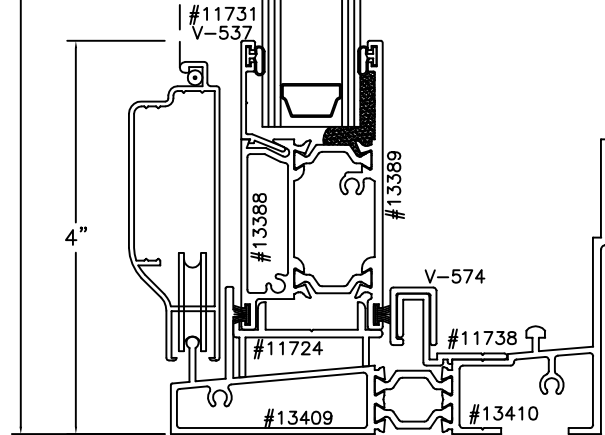
3

DOOR HEIGHT

DOOR HEIGHT



2



4

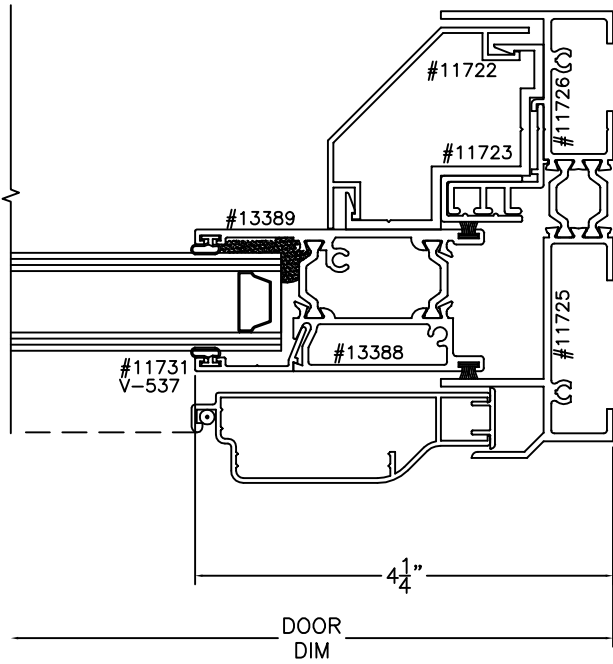
ALL SEASONS
ARCHITECTURAL WINDOWS MFG.

1293 N. Harvey Mitchell Pkwy.
Phone: (979) 823-6557
Fax: (979) 823-1005

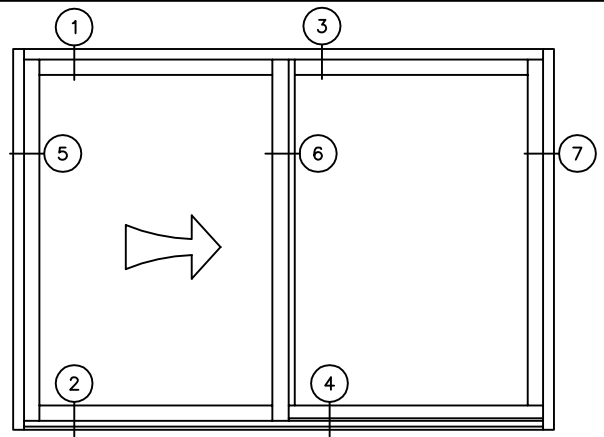
IMPACT:	YES	COMPATIBLE SERIES:
BLAST:	NO	8065FF
TDI NO:		
FLORIDA NO:		

FAMILY:	8065	SCALE:	1:2	REVISION:	A
DESCRIPTION:					
8065 SLIDING GLASS DOOR XO VERTICAL CROSS SECTIONS					
THIS DRAWING CONTAINS CONFIDENTIAL INFORMATION WHICH IS THE PROPERTY OF ALL SEASONS. RECEIPT OR POSSESSION OF REPRODUCTIONS OF THIS DRAWING OR POSSESSION OF REPRODUCTIONS OF THIS DRAWING DOES NOT CONFER ANY RIGHTS OR LICENSE TO USE INFORMATION CONTAINED HEREIN WITHOUT THE WRITTEN CONSENT OF ALL SEASONS.					
DRAWN BY:	T.Jobb	DATE DRAWN:	1/29/14	SHEET SIZE:	A

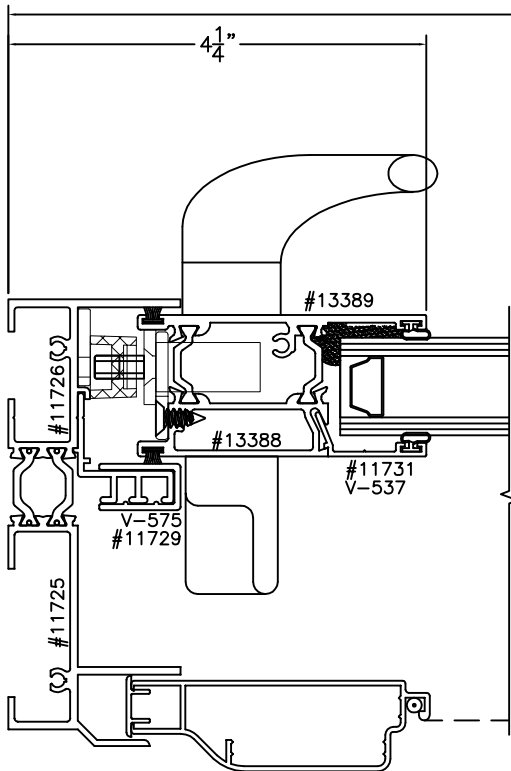
SHEET NUMBER
1
OF
5



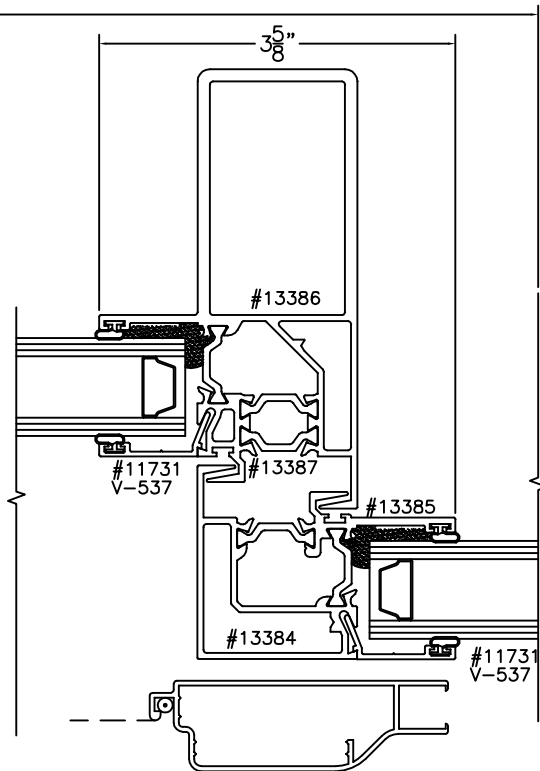
7



DOOR WIDTH



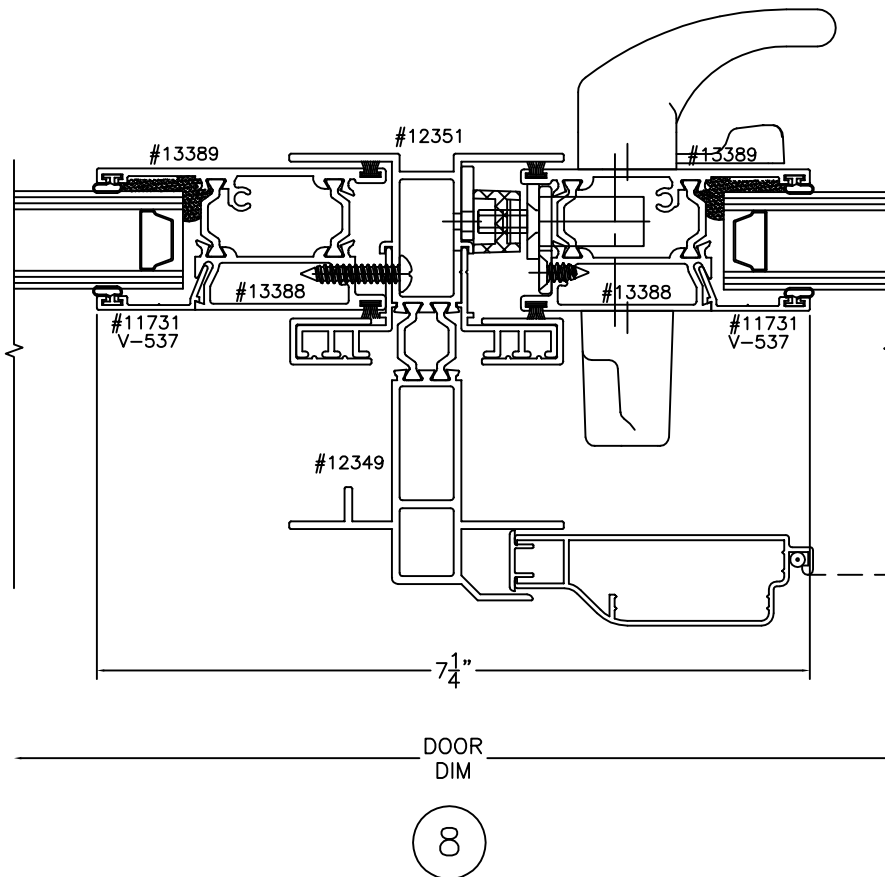
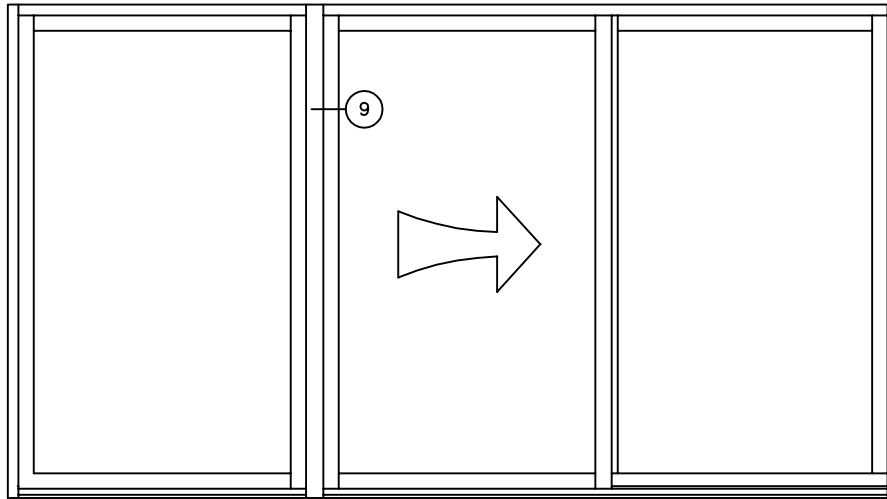
5



6

ALL SEASONS
 ARCHITECTURAL WINDOWS MFG.
 1293 N. Harvey Mitchell Pkwy.
 Phone: (979) 823-6557
 Fax: (979) 823-1005

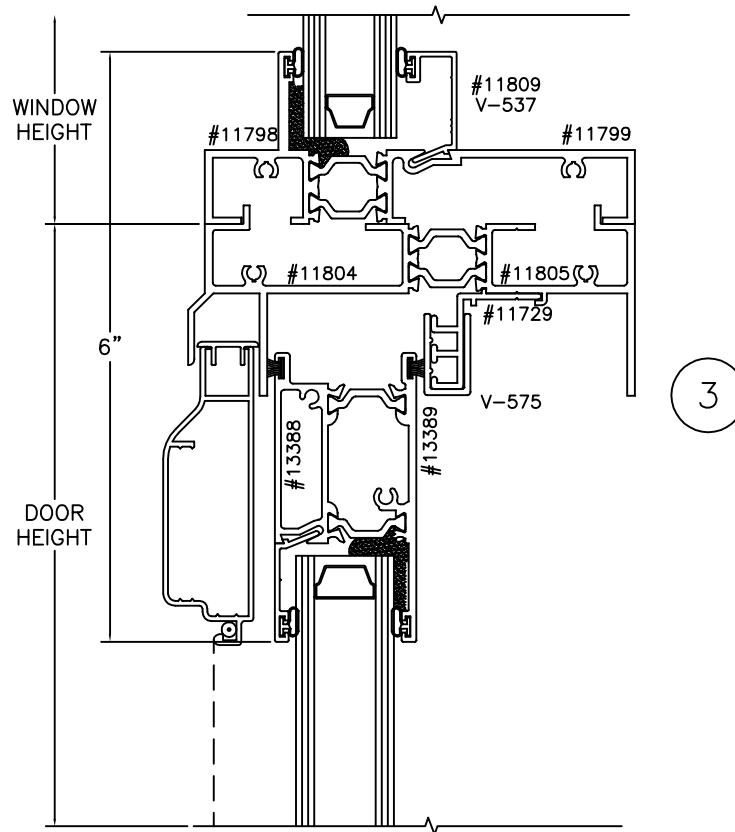
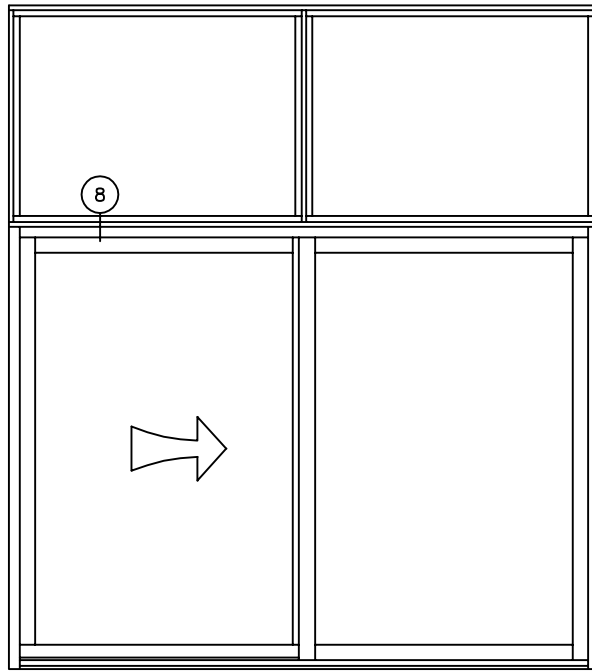
IMPACT:	YES	COMPATIBLE SERIES:	FAMILY:	8065	SCALE:	1:2	REVISION:	A	SHEET NUMBER
BLAST:	NO	8065FF	DESCRIPTION:	8065 SLIDING GLASS DOOR XO HORIZONTAL CROSS SECTIONS					
TDI NO:			THIS DRAWING CONTAINS CONFIDENTIAL INFORMATION WHICH IS THE PROPERTY OF ALL SEASONS. RECEIPT OR POSSESSION OF REPRODUCTIONS OF THIS DRAWING OR POSSESSION OF REPRODUCTIONS OF THIS DRAWING DOES NOT CONFER ANY RIGHTS OR LICENSE TO USE INFORMATION CONTAINED HEREIN WITHOUT THE WRITTEN CONSENT OF ALL SEASONS.						
FLORIDA NO:			DRAWN BY:	T.JOB	DATE DRAWN:	1/29/14	SHEET SIZE:	A	



ALL SEASONS
 ARCHITECTURAL WINDOWS MFG.
 1293 N. Harvey Mitchell Pkwy.
 Phone: (979) 823-6557
 Fax: (979) 823-1005

IMPACT:	YES	COMPATIBLE SERIES:	FAMILY:	8065	SCALE:	1:2	REVISION:	A	SHEET NUMBER
BLAST:	NO	8065FF	DESCRIPTION: 8065 SLIDING GLASS DOOR OXO ASTRAGAL SECTION						
TDI NO:									
FLORIDA NO:									
			DRAWN BY:	T.JOBB	DATE DRAWN:	1/29/14	SHEET SIZE:	A	

3
OF
5

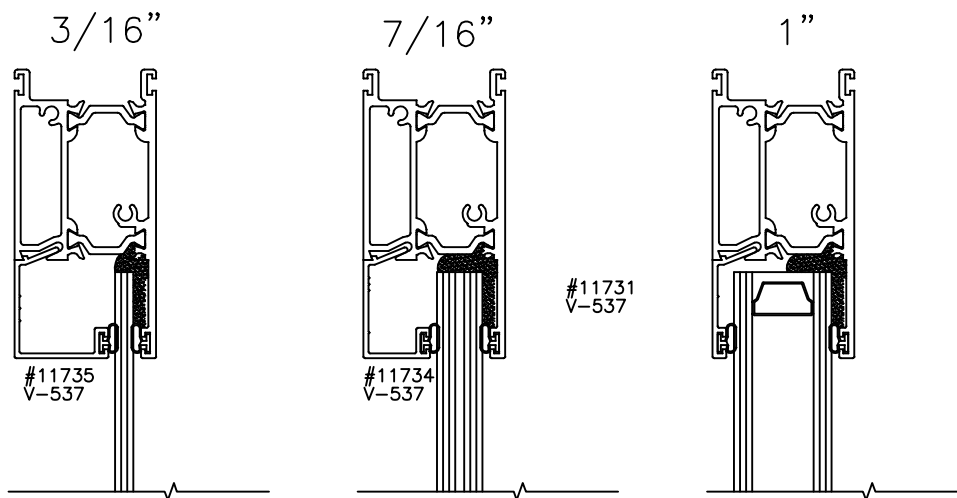


ALL SEASONS
ARCHITECTURAL WINDOWS MFG.

1293 N. Harvey Mitchell Pkwy.
 Phone: (979) 823-6557
 Fax: (979) 823-1005

IMPACT:	YES	COMPATIBLE SERIES:	FAMILY:	8065	SCALE:	1:2	REVISION:	A
BLAST:	NO	8065FF	DESCRIPTION:	8065 SLIDING GLASS DOOR STACKING DETAILS				
TDI NO:								
FLORIDA NO:			THIS DRAWING CONTAINS CONFIDENTIAL INFORMATION WHICH IS THE PROPERTY OF ALL SEASONS. RECEIPT OR POSSESSION OF REPRODUCTIONS OF THIS DRAWING OR POSSESSION OF REPRODUCTIONS OF THIS DRAWING DOES NOT CONFER ANY RIGHTS OR LICENSE TO USE INFORMATION CONTAINED HEREIN WITHOUT THE WRITTEN CONSENT OF ALL SEASONS.					
			DRAWN BY:	T.JOBB	DATE DRAWN:	1/29/14	SHEET SIZE:	A

SHEET NUMBER
4
 OF
5



ALL SEASONS
ARCHITECTURAL WINDOWS MFG.
 1293 N. Harvey Mitchell Pkwy.
 Phone: (979) 823-6557
 Fax: (979) 823-1005

IMPACT:	YES	COMPATIBLE SERIES:	FAMILY:	8065	SCALE:	1:2	REVISION:	A
BLAST:	NO	8065FF	DESCRIPTION: 8065 SLIDING GLASS DOOR GLAZING DETAILS					
TDI NO:								
FLORIDA NO:								
THIS DRAWING CONTAINS CONFIDENTIAL INFORMATION WHICH IS THE PROPERTY OF ALL SEASONS. RECEIPT OR POSSESSION OF REPRODUCTIONS OF THIS DRAWING OR POSSESSION OF REPRODUCTIONS OF THIS DRAWING DOES NOT CONFER ANY RIGHTS OR LICENSE TO USE INFORMATION CONTAINED HEREIN WITHOUT THE WRITTEN CONSENT OF ALL SEASONS.			DRAWN BY:	T.JOBB	DATE DRAWN:	1/29/14	SHEET SIZE:	A

SHEET NUMBER
5
 OF
5