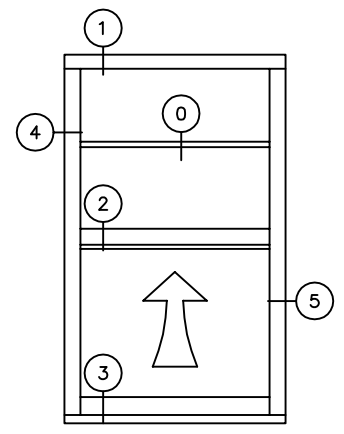


1

2

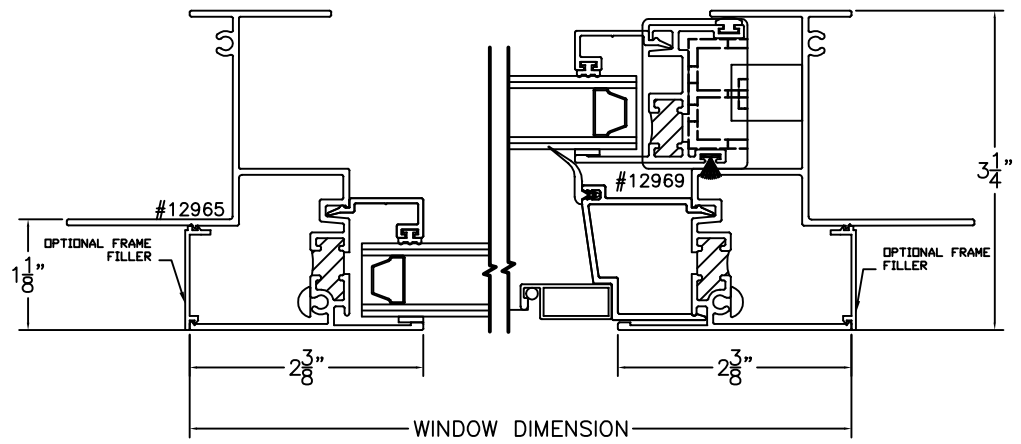
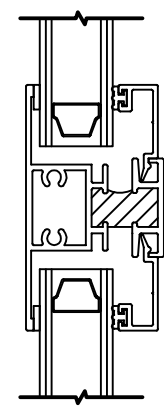
3

4



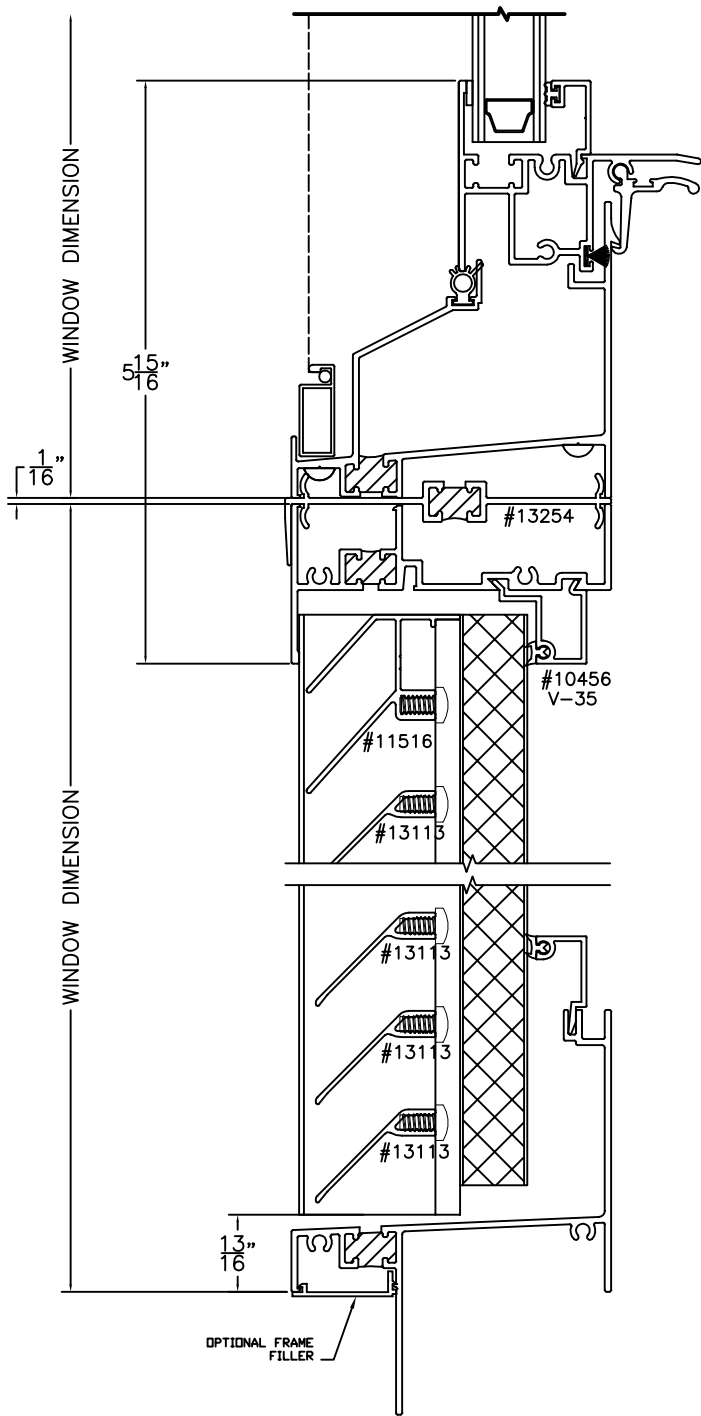
0

OPTIONAL HORZ. TRUE MUNTIN

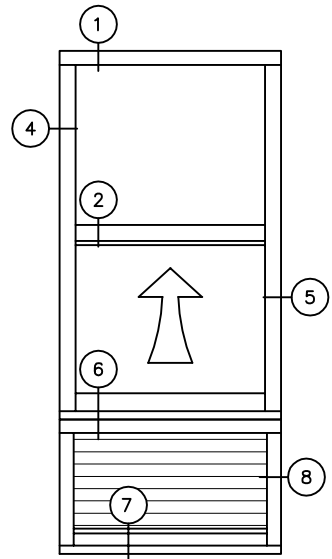


**ALL SEASONS**  
 COMMERCIAL WINDOWS & DOORS  
 1293 N. Harvey Mitchell Pkwy.  
 Phone: (979) 823-6557  
 Fax: (979) 823-1005

IMPACT:	NO	COMPATIBLE SERIES:	FAMILY:	3250	SCALE:	1:2	REVISION:	A	SHEET NUMBER
BLAST:	NO		DESCRIPTION:	3250 SINGLE HUNG NAIL FIN CROSS SECTION					
TDI NO:			THIS DRAWING CONTAINS CONFIDENTIAL INFORMATION WHICH IS THE PROPERTY OF ALL SEASONS. RECEIPT OR POSSESSION OF REPRODUCTIONS OF THIS DRAWING OR POSSESSION OF REPRODUCTIONS OF THIS DRAWING DOES NOT CONFER ANY RIGHTS OR LICENSE TO USE INFORMATION CONTAINED HEREIN WITHOUT THE WRITTEN CONSENT OF ALL SEASONS.						
FLORIDA NO:			DRAWN BY:	T.Jobb	DATE DRAWN:	7/30/15	SHEET SIZE:	A	



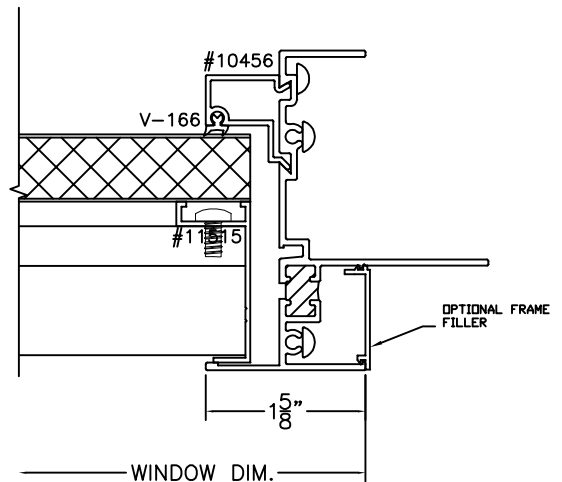
6



MINIMUM WIDTH IS 44" FOR PTAC

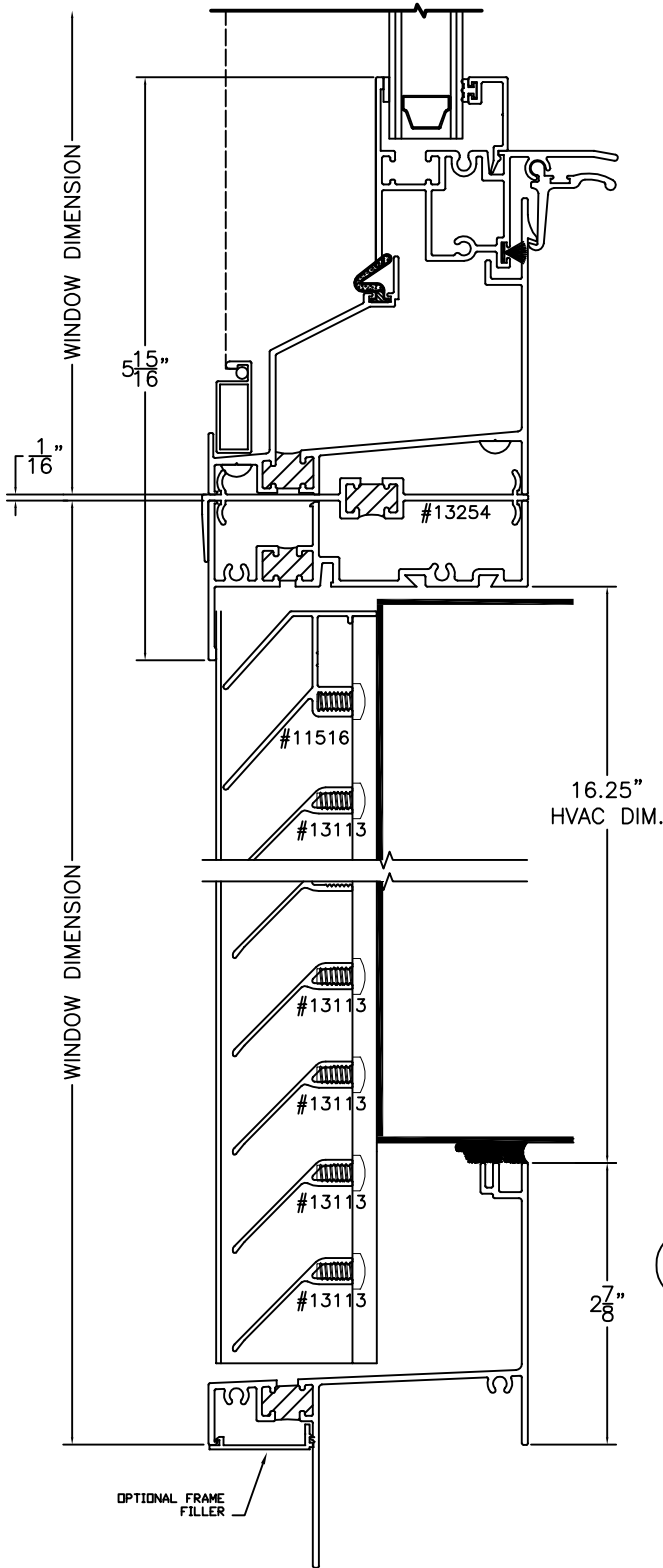
8

7

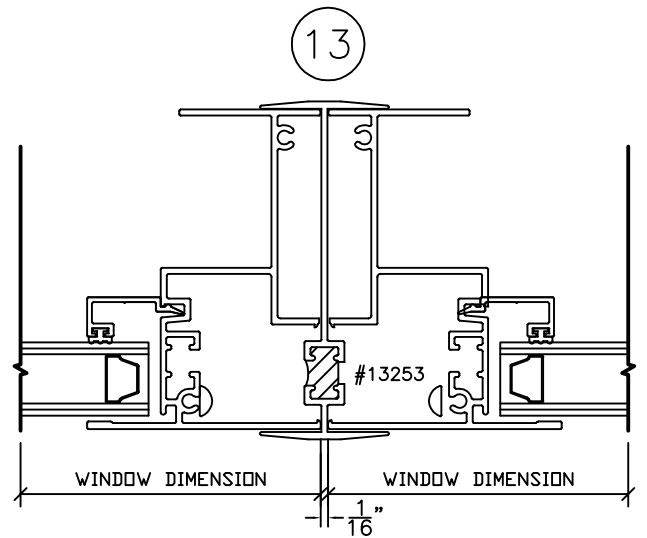
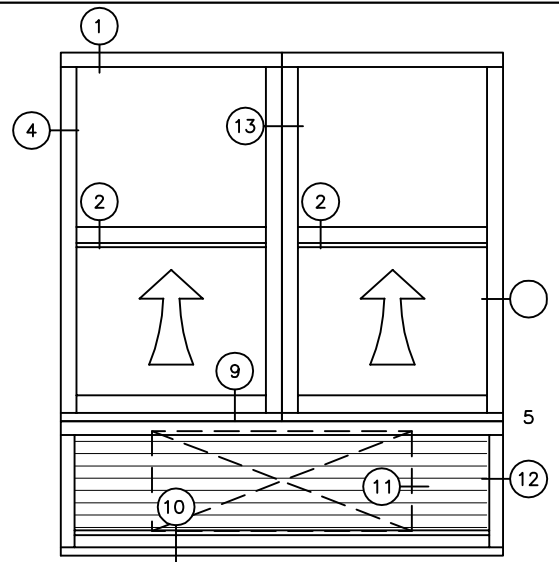


**ALL SEASONS**  
 COMMERCIAL WINDOWS & DOORS  
 1293 N. Harvey Mitchell Pkwy.  
 Phone: (979) 823-6557  
 Fax: (979) 823-1005

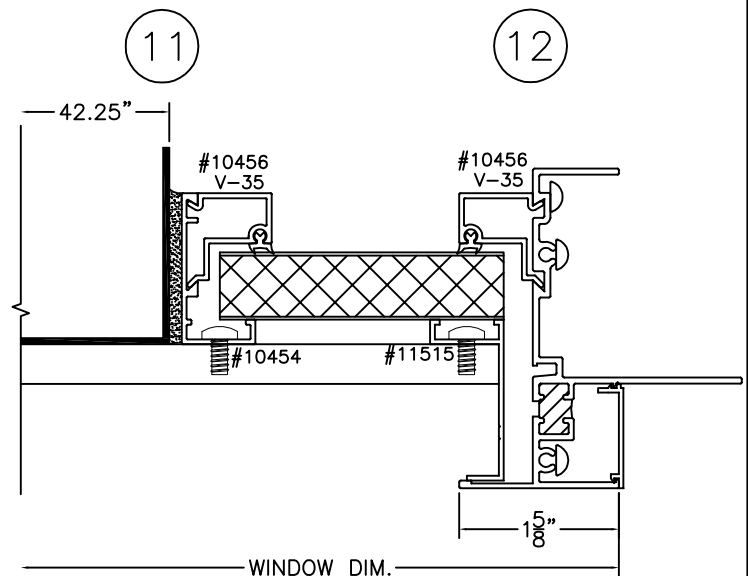
IMPACT:	NO	COMPATIBLE SERIES:	FAMILY:	3250	SCALE:	1:2	REVISION:	A	SHEET NUMBER
BLAST:	NO		DESCRIPTION:	3250 SINGLE HUNG OVER LOUVER NAIL FIN CROSS SECTION					
TDI NO:			THIS DRAWING CONTAINS CONFIDENTIAL INFORMATION WHICH IS THE PROPERTY OF ALL SEASONS. RECEIPT OR POSSESSION OF REPRODUCTIONS OF THIS DRAWING OR POSSESSION OF REPRODUCTIONS OF THIS DRAWING DOES NOT CONFER ANY RIGHTS OR LICENSE TO USE INFORMATION CONTAINED HEREIN WITHOUT THE WRITTEN CONSENT OF ALL SEASONS.						
FLORIDA NO:			DRAWN BY:	T.Jobb	DATE DRAWN:	7/30/15	SHEET SIZE:	A	



9

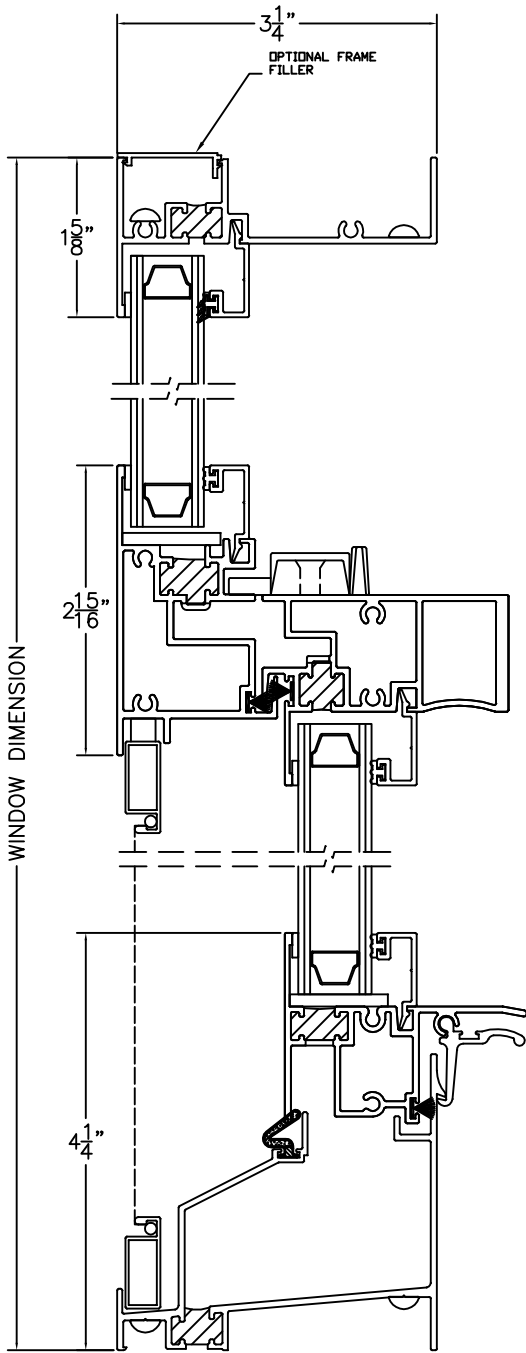


10

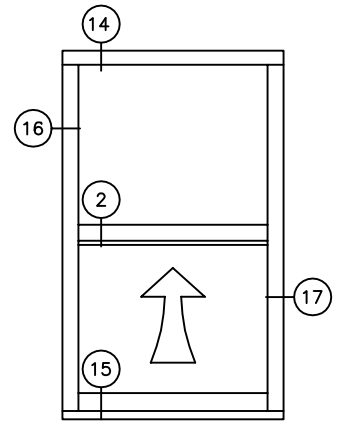


**ALL SEASONS**  
 COMMERCIAL WINDOWS & DOORS  
 1293 N. Harvey Mitchell Pkwy.  
 Phone: (979) 823-6557  
 Fax: (979) 823-1005

IMPACT:	NO	COMPATIBLE SERIES:	FAMILY:	3250	SCALE:	1:2	REVISION:	A	SHEET NUMBER
BLAST:	NO		DESCRIPTION:	3250 SINGLE HUNG TWIN OVER LOUVER W/PTAC NF CROSS SECTION					
TDI NO:			THIS DRAWING CONTAINS CONFIDENTIAL INFORMATION WHICH IS THE PROPERTY OF ALL SEASONS. RECEIPT OR POSSESSION OF REPRODUCTIONS OF THIS DRAWING OR POSSESSION OF REPRODUCTIONS OF THIS DRAWING DOES NOT CONFER ANY RIGHTS OR LICENSE TO USE INFORMATION CONTAINED HEREIN WITHOUT THE WRITTEN CONSENT OF ALL SEASONS.						
FLORIDA NO:			DRAWN BY:	T.Jobb	DATE DRAWN:	7/30/15	SHEET SIZE:	A	

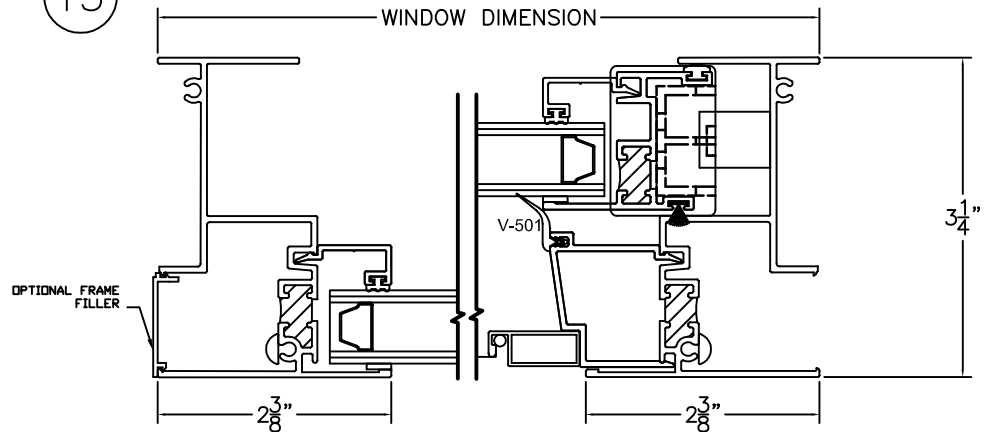


14



2

15

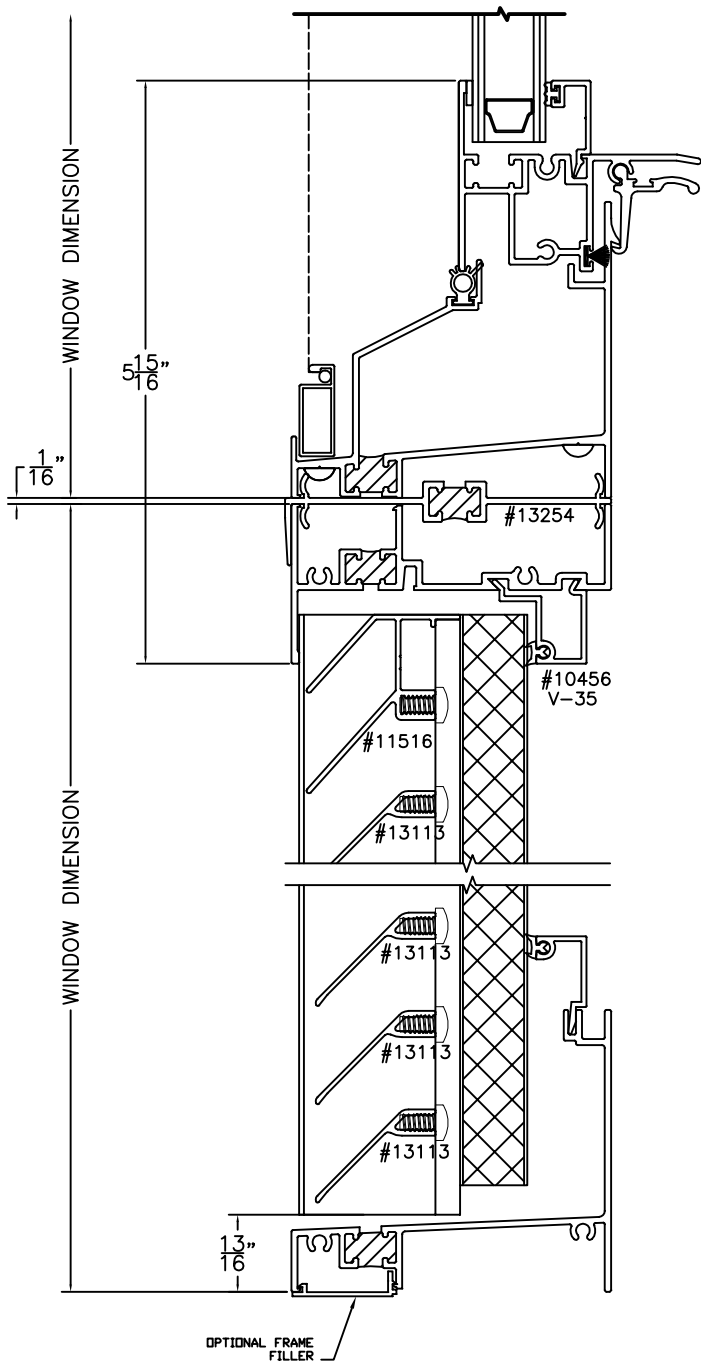


16

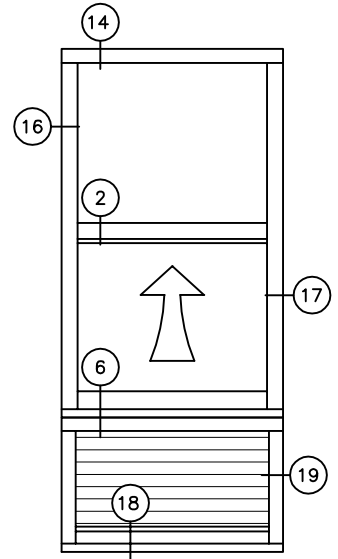
17

**ALL SEASONS**  
 COMMERCIAL WINDOWS & DOORS  
 1293 N. Harvey Mitchell Pkwy.  
 Phone: (979) 823-6557  
 Fax: (979) 823-1005

IMPACT:	NO	COMPATIBLE SERIES:	FAMILY:	3250	SCALE:	1:2	REVISION:	A	SHEET NUMBER	
BLAST:	NO		DESCRIPTION:	3250 SINGLE HUNG EQUAL LEG CROSS SECTION						4 OF 11
TDI NO:			THIS DRAWING CONTAINS CONFIDENTIAL INFORMATION WHICH IS THE PROPERTY OF ALL SEASONS. RECEIPT OR POSSESSION OF REPRODUCTIONS OF THIS DRAWING OR POSSESSION OF REPRODUCTIONS OF THIS DRAWING DOES NOT CONFER ANY RIGHTS OR LICENSE TO USE INFORMATION CONTAINED HEREIN WITHOUT THE WRITTEN CONSENT OF ALL SEASONS.							
FLORIDA NO:			DRAWN BY:	T.Jobb	DATE DRAWN:	2/3/17	SHEET SIZE:	A		

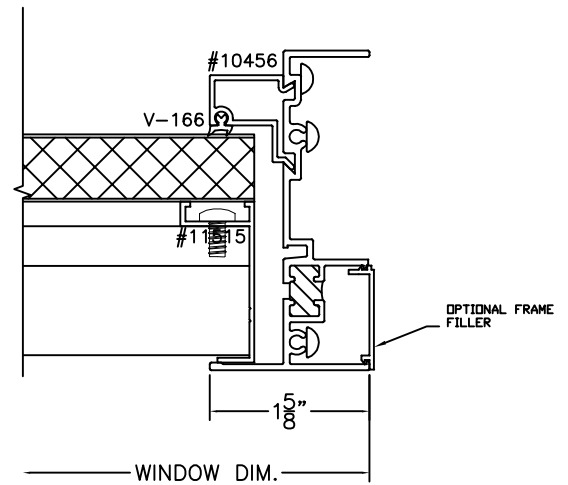


6



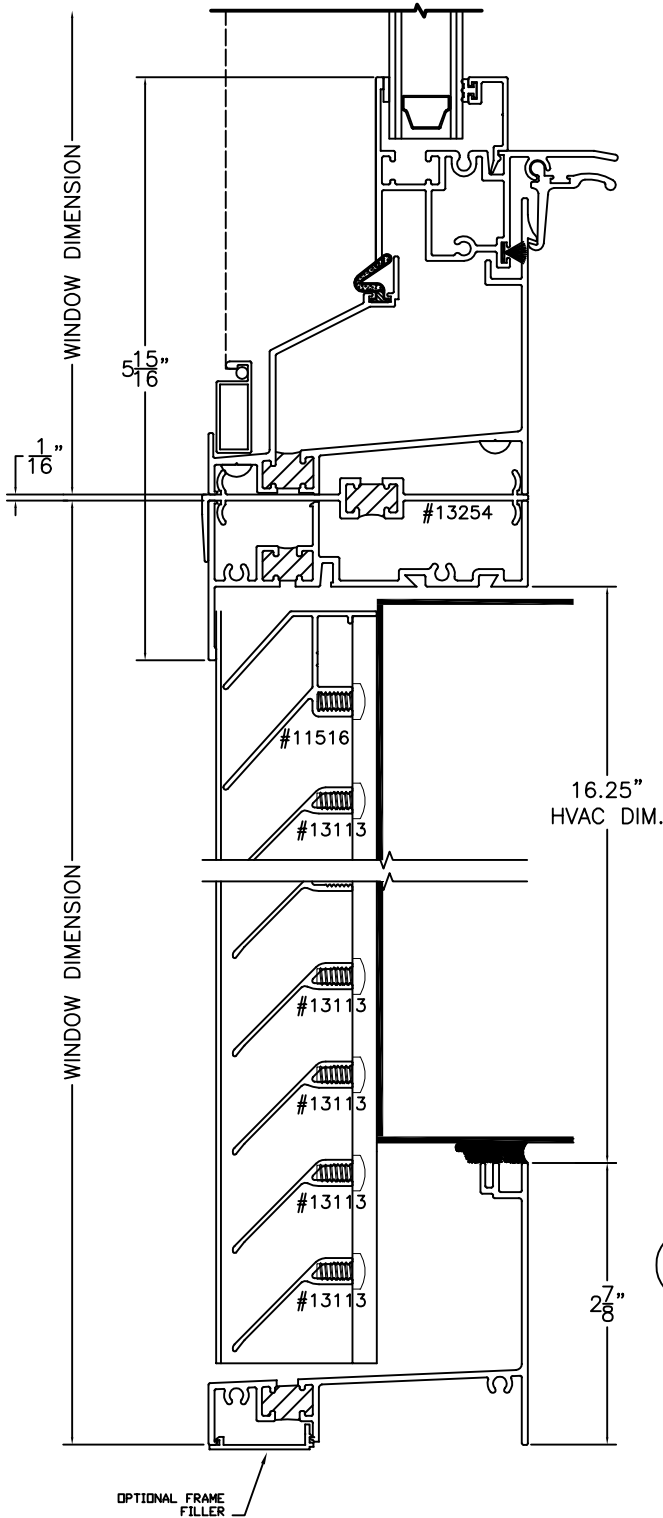
19

18

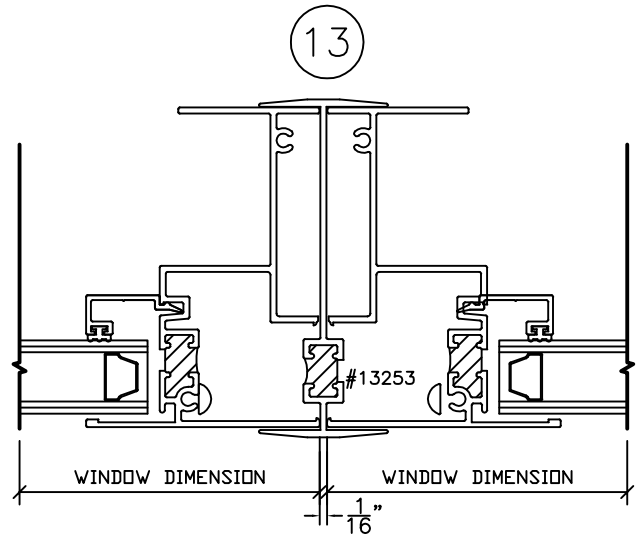
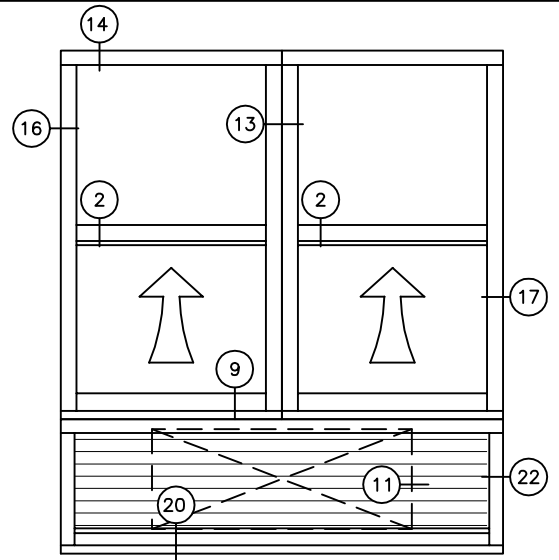


**ALL SEASONS**  
 COMMERCIAL WINDOWS & DOORS  
 1293 N. Harvey Mitchell Pkwy.  
 Phone: (979) 823-6557  
 Fax: (979) 823-1005

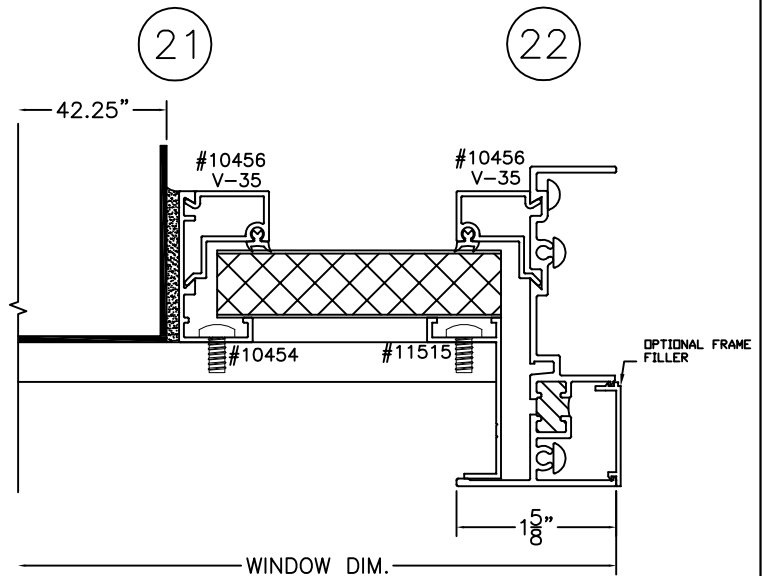
IMPACT:	NO	COMPATIBLE SERIES:	FAMILY:	3250	SCALE:	1:2	REVISION:	A	SHEET NUMBER
BLAST:	NO		DESCRIPTION:	3250 SINGLE HUNG OVER LOUVER EQUAL LEG CROSS SECTION					
TDI NO:			THIS DRAWING CONTAINS CONFIDENTIAL INFORMATION WHICH IS THE PROPERTY OF ALL SEASONS. RECEIPT OR POSSESSION OF REPRODUCTIONS OF THIS DRAWING OR POSSESSION OF REPRODUCTIONS OF THIS DRAWING DOES NOT CONFER ANY RIGHTS OR LICENSE TO USE INFORMATION CONTAINED HEREIN WITHOUT THE WRITTEN CONSENT OF ALL SEASONS.						
FLORIDA NO:									
			DRAWN BY:	T.Jobb	DATE DRAWN:	7/30/15	SHEET SIZE:	A	5 OF 11



9

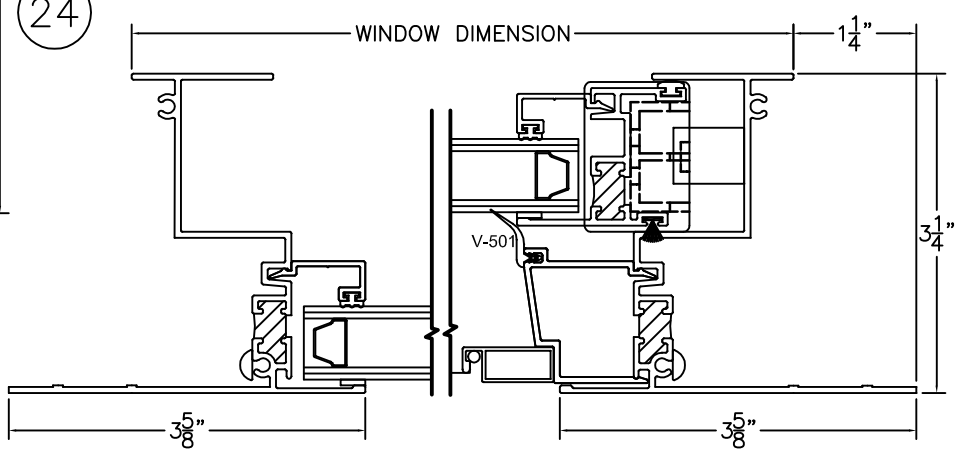
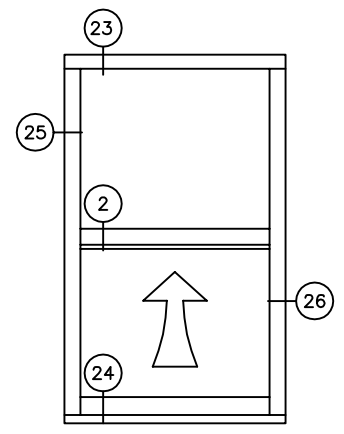
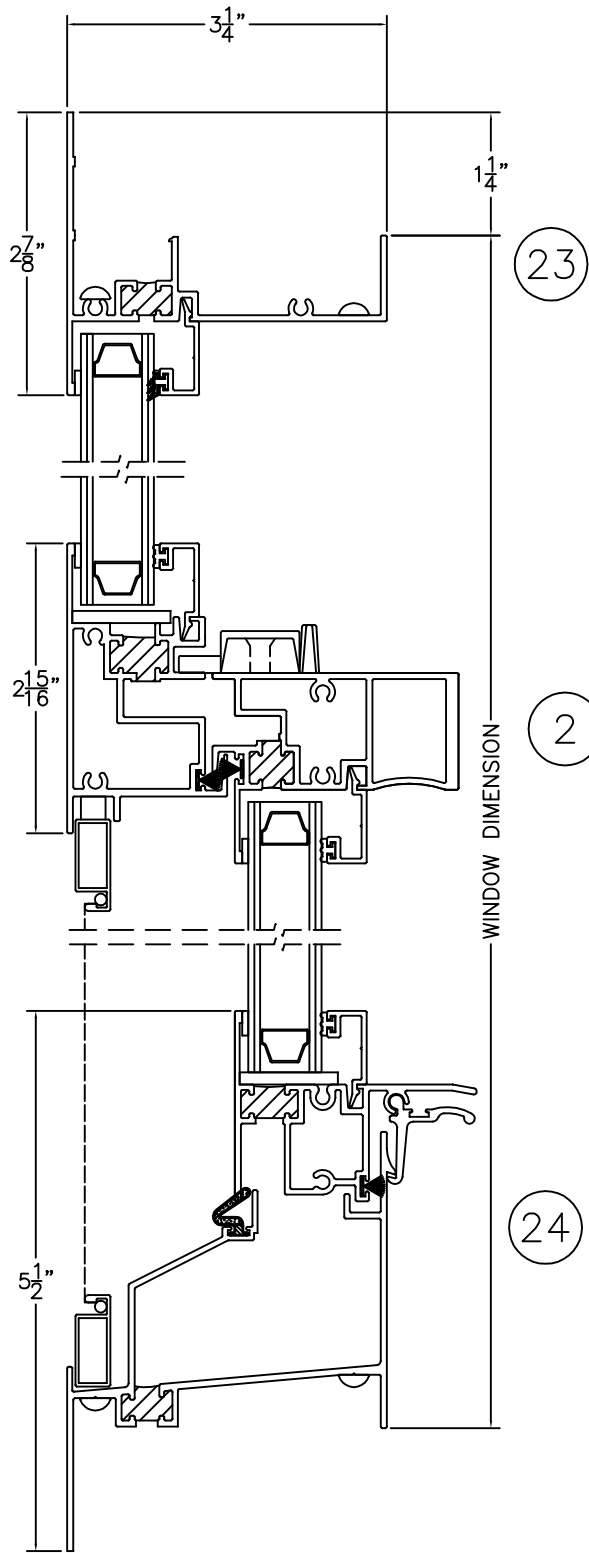


20



**ALL SEASONS**  
 COMMERCIAL WINDOWS & DOORS  
 1293 N. Harvey Mitchell Pkwy.  
 Phone: (979) 823-6557  
 Fax: (979) 823-1005

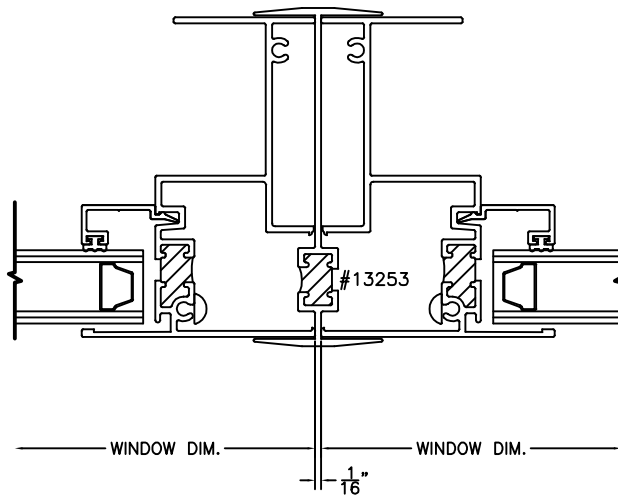
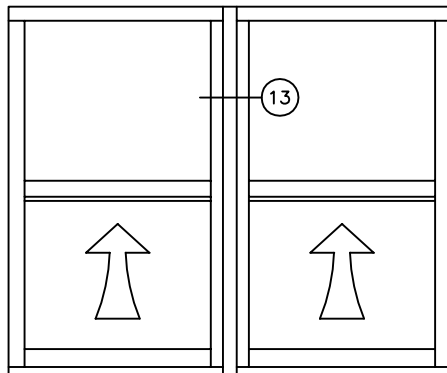
IMPACT:	NO	COMPATIBLE SERIES:	FAMILY:	3250	SCALE:	1:2	REVISION:	A	SHEET NUMBER
BLAST:	NO		DESCRIPTION:	3250 SH TWIN OVER LOUVER W/PTAC EQUAL LEG CROSS SECTION					
TDI NO:			THIS DRAWING CONTAINS CONFIDENTIAL INFORMATION WHICH IS THE PROPERTY OF ALL SEASONS. RECEIPT OR POSSESSION OF REPRODUCTIONS OF THIS DRAWING OR POSSESSION OF REPRODUCTIONS OF THIS DRAWING DOES NOT CONFER ANY RIGHTS OR LICENSE TO USE INFORMATION CONTAINED HEREIN WITHOUT THE WRITTEN CONSENT OF ALL SEASONS.						
FLORIDA NO:			DRAWN BY:	T.Jobb	DATE DRAWN:	7/30/15	SHEET SIZE:	A	



**ALL SEASONS**  
 COMMERCIAL WINDOWS & DOORS  
 1293 N. Harvey Mitchell Pkwy.  
 Phone: (979) 823-6557  
 Fax: (979) 823-1005

IMPACT:	NO	COMPATIBLE SERIES:	FAMILY:	3250	SCALE:	1:2	REVISION:	A	SHEET NUMBER <b>7</b> OF <b>11</b>	
BLAST:	NO		DESCRIPTION:	3250 SINGLE HUNG FRONT FLANGE CROSS SECTION						
TDI NO:			THIS DRAWING CONTAINS CONFIDENTIAL INFORMATION WHICH IS THE PROPERTY OF ALL SEASONS. RECEIPT OR POSSESSION OF REPRODUCTIONS OF THIS DRAWING OR POSSESSION OF REPRODUCTIONS OF THIS DRAWING DOES NOT CONFER ANY RIGHTS OR LICENSE TO USE INFORMATION CONTAINED HEREIN WITHOUT THE WRITTEN CONSENT OF ALL SEASONS.							
FLORIDA NO:			DRAWN BY:	T.Jobb	DATE DRAWN:	2/3/17	SHEET SIZE:	A		



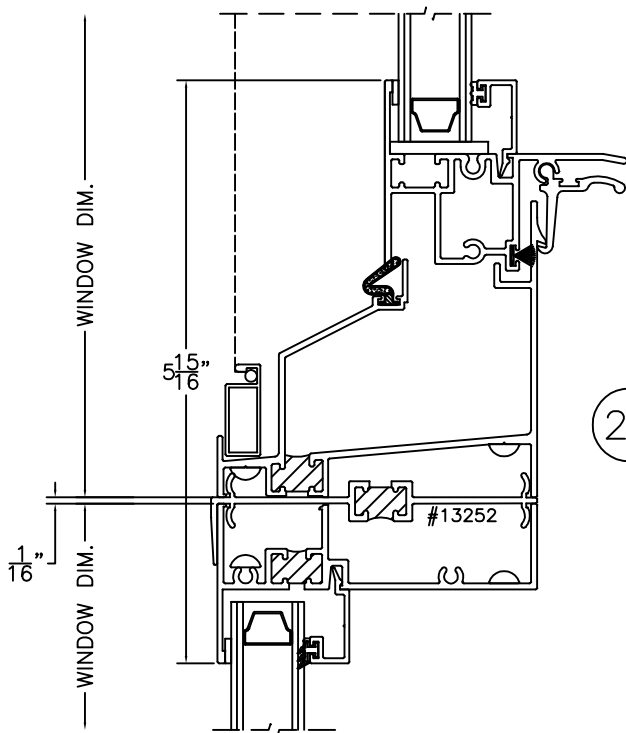
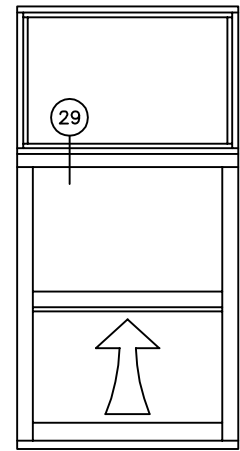
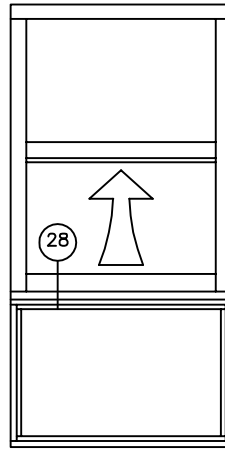


13

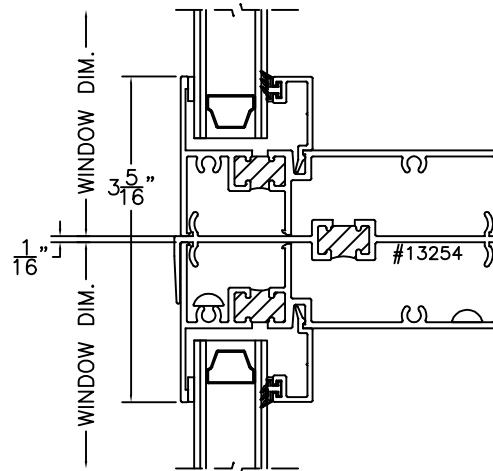
**ALL SEASONS**  
 COMMERCIAL WINDOWS & DOORS  
 1293 N. Harvey Mitchell Pkwy.  
 Phone: (979) 823-6557  
 Fax: (979) 823-1005

IMPACT:	NO	COMPATIBLE SERIES:	FAMILY:	3250	SCALE:	1:2	REVISION:	A
BLAST:	NO		DESCRIPTION:	3250 SINGLE HUNG H-MULL CROSS SECTION				
TDI NO:			<small>THIS DRAWING CONTAINS CONFIDENTIAL INFORMATION WHICH IS THE PROPERTY OF ALL SEASONS. RECEIPT OR POSSESSION OF REPRODUCTIONS OF THIS DRAWING OR POSSESSION OF REPRODUCTIONS OF THIS DRAWING DOES NOT CONFER ANY RIGHTS OR LICENSE TO USE INFORMATION CONTAINED HEREIN WITHOUT THE WRITTEN CONSENT OF ALL SEASONS.</small>					
FLORIDA NO:								
			DRAWN BY:	T.Jobb	DATE DRAWN:	2/3/17	SHEET SIZE:	A

SHEET NUMBER  
 9  
 OF  
 11



28



29

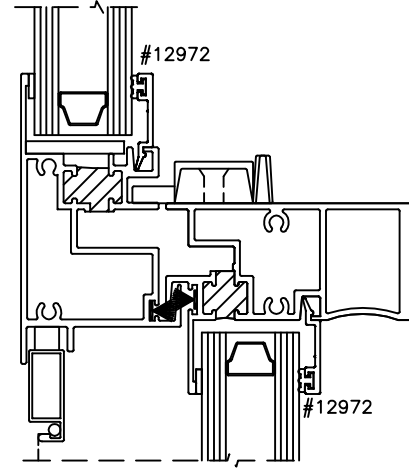
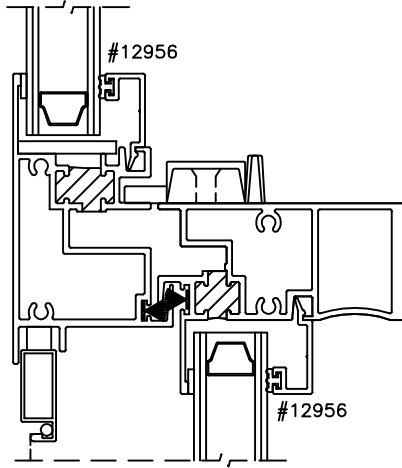
**ALL SEASONS**  
 COMMERCIAL WINDOWS & DOORS  
 1293 N. Harvey Mitchell Pkwy.  
 Phone: (979) 823-6557  
 Fax: (979) 823-1005

IMPACT:	NO	COMPATIBLE SERIES:	FAMILY:	3250	SCALE:	1:2	REVISION:	A
BLAST:	NO		DESCRIPTION:	3250 SINGLE HUNG 3 PIECE MULL CROSS SECTION				
TDI NO:			THIS DRAWING CONTAINS CONFIDENTIAL INFORMATION WHICH IS THE PROPERTY OF ALL SEASONS. RECEIPT OR POSSESSION OF REPRODUCTIONS OF THIS DRAWING OR POSSESSION OF REPRODUCTIONS OF THIS DRAWING DOES NOT CONFER ANY RIGHTS OR LICENSE TO USE INFORMATION CONTAINED HEREIN WITHOUT THE WRITTEN CONSENT OF ALL SEASONS.					
FLORIDA NO:			DRAWN BY:	T.Jobb	DATE DRAWN:	2/3/17	SHEET SIZE:	A

SHEET NUMBER  
 10  
 OF  
 11

3/4" GLASS

1" GLASS



**ALL SEASONS**  
 COMMERCIAL WINDOWS & DOORS  
 1293 N. Harvey Mitchell Pkwy.  
 Phone: (979) 823-6557  
 Fax: (979) 823-1005

IMPACT:	NO	COMPATIBLE SERIES:	FAMILY:	3250	SCALE:	1:2	REVISION:	A	SHEET NUMBER
BLAST:	NO		DESCRIPTION:						
TDI NO:			3250 SINGLE HUNG GLAZING DETAILS						11 OF 11
FLORIDA NO:			THIS DRAWING CONTAINS CONFIDENTIAL INFORMATION WHICH IS THE PROPERTY OF ALL SEASONS. RECEIPT OR POSSESSION OF REPRODUCTIONS OF THIS DRAWING OR POSSESSION OF REPRODUCTIONS OF THIS DRAWING DOES NOT CONFER ANY RIGHTS OR LICENSE TO USE INFORMATION CONTAINED HEREIN WITHOUT THE WRITTEN CONSENT OF ALL SEASONS.						
			DRAWN BY:	T.Jobb	DATE DRAWN:	7/30/15	SHEET SIZE:	A	