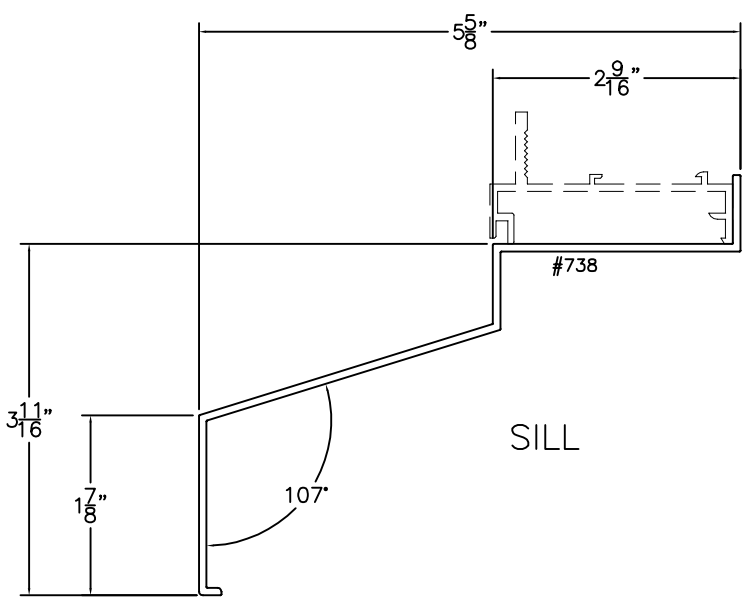
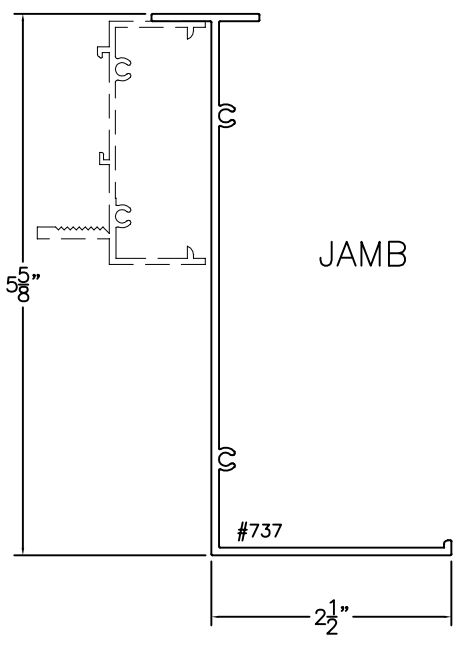
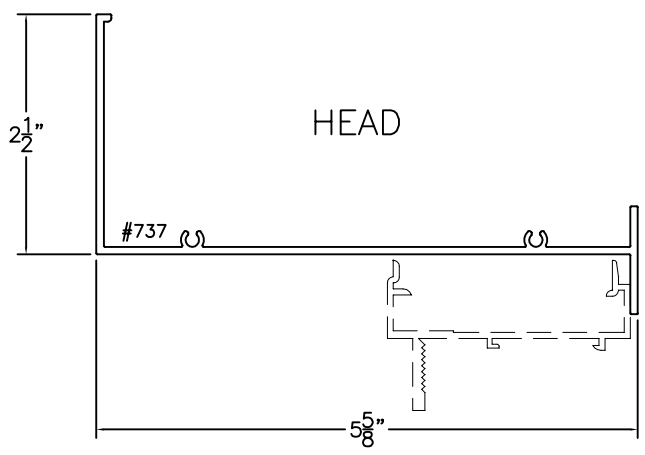

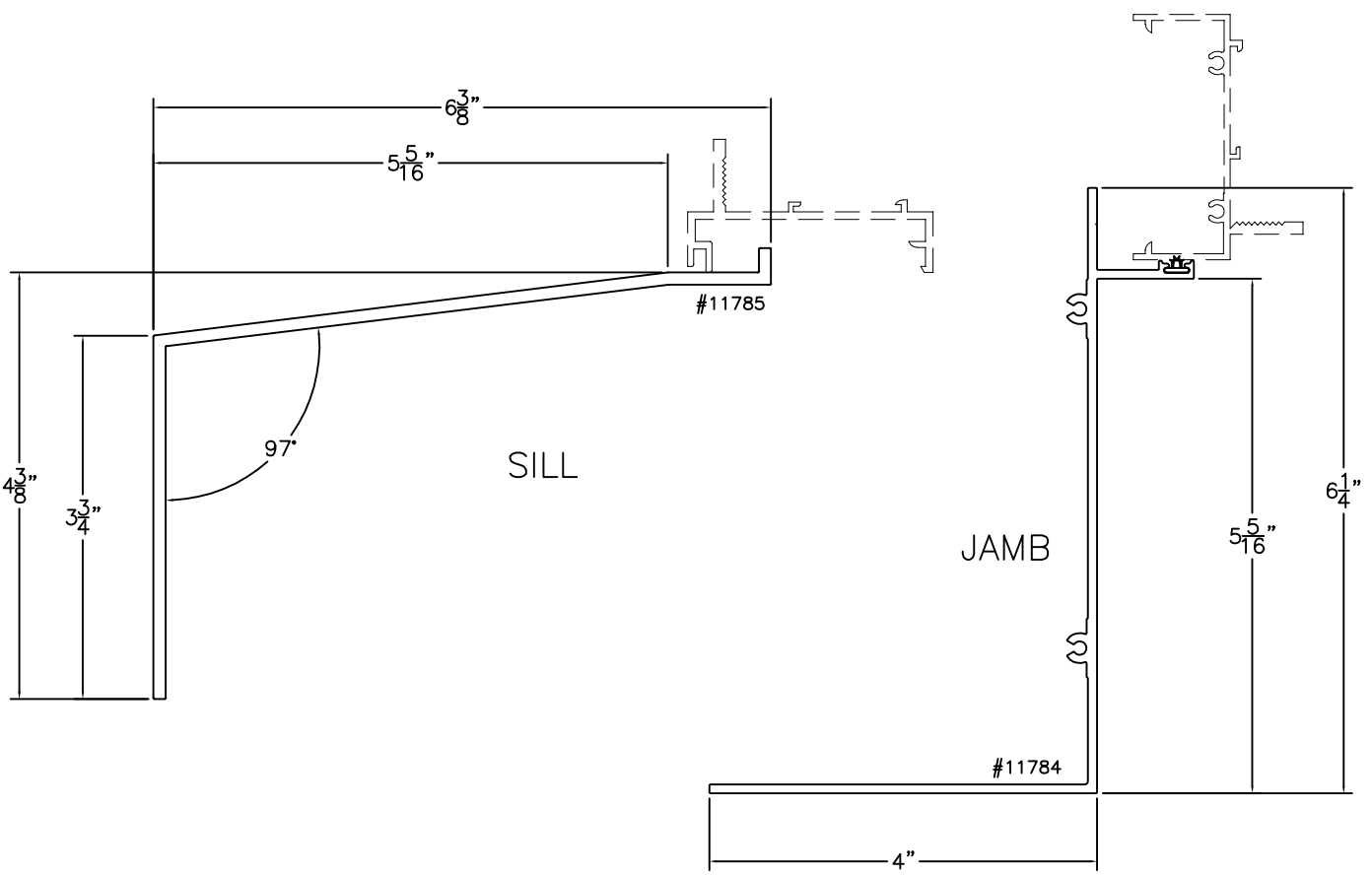
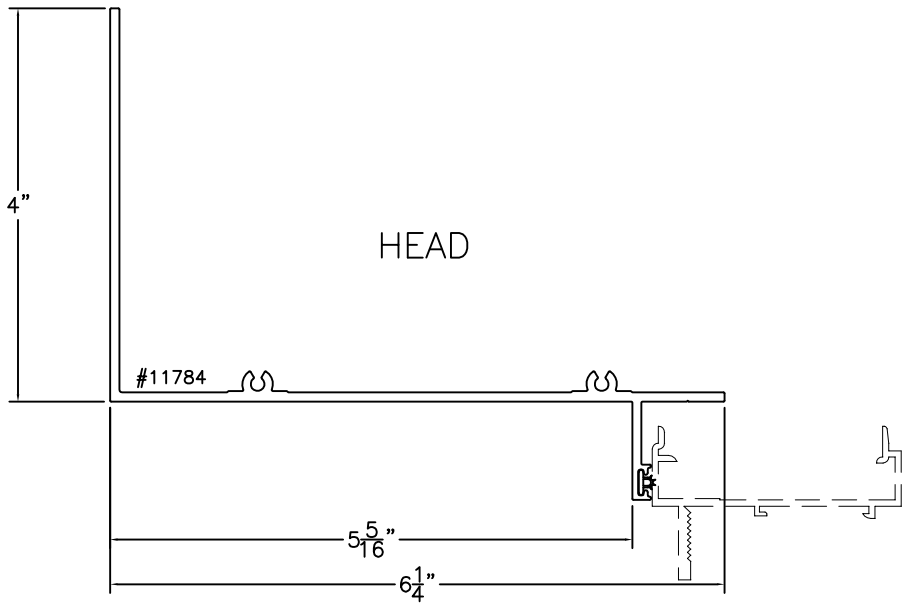
 <p>1293 N. Harvey Mitchell Pkwy. Phone: (979) 823-6557 Fax: (979) 823-1005</p>	IMPACT:	NO	COMPATIBLE SERIES:	FAMILY:	ACC	SCALE:	1:2	REVISION:	B	SHEET NUMBER	
	BLAST:	NO	MULTI	DESCRIPTION: PANNING TRIM (BAYLOR PANNING TRIM)							1 OF 19
	TDI NO:										
	FLORIDA NO:			THIS DRAWING CONTAINS CONFIDENTIAL INFORMATION WHICH IS THE PROPERTY OF ALL SEASONS. RECEIPT OR POSSESSION OF REPRODUCTIONS OF THIS DRAWING OR POSSESSION OF REPRODUCTIONS OF THIS DRAWING DOES NOT CONFER ANY RIGHTS OR LICENSE TO USE INFORMATION CONTAINED HEREIN WITHOUT THE WRITTEN CONSENT OF ALL SEASONS.							
				DRAWN BY:	T.Jobb	DATE DRAWN:	2/19/14	SHEET SIZE:	A		



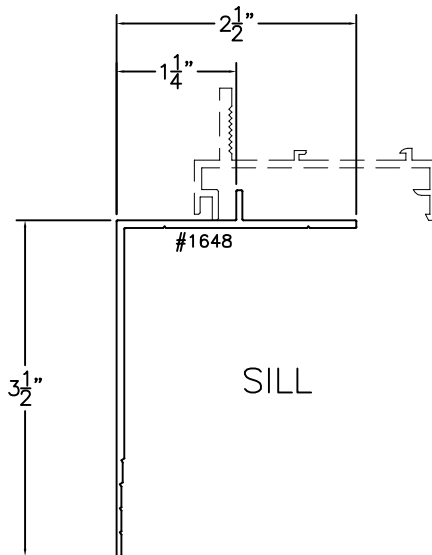
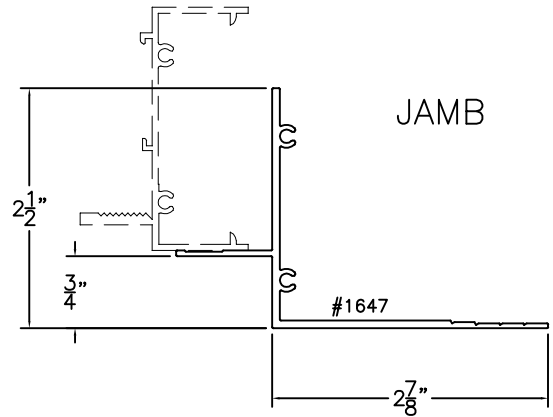
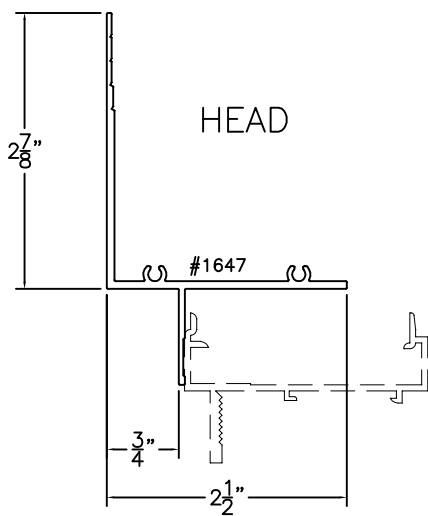
 <p>1293 N. Harvey Mitchell Pkwy. Phone: (979) 823-6557 Fax: (979) 823-1005</p>	IMPACT:	NO	COMPATIBLE SERIES:	FAMILY:	ACC	SCALE:	1:2	REVISION:	B	SHEET NUMBER	
	BLAST:	NO	MULTI	DESCRIPTION: PANNING TRIM (CP-100)							2 OF 19
	TDI NO:										
	FLORIDA NO:			THIS DRAWING CONTAINS CONFIDENTIAL INFORMATION WHICH IS THE PROPERTY OF ALL SEASONS. RECEIPT OR POSSESSION OF REPRODUCTIONS OF THIS DRAWING OR POSSESSION OF REPRODUCTIONS OF THIS DRAWING DOES NOT CONFER ANY RIGHTS OR LICENSE TO USE INFORMATION CONTAINED HEREIN WITHOUT THE WRITTEN CONSENT OF ALL SEASONS.							
											DRAWN BY:



**ALL SEASONS**  
 ARCHITECTURAL WINDOWS MFG.  
 1293 N. Harvey Mitchell Pkwy.  
 Phone: (979) 823-6557  
 Fax: (979) 823-1005

IMPACT:	NO	COMPATIBLE SERIES:	FAMILY:	ACC	SCALE:	1:2	REVISION:	B	SHEET NUMBER
BLAST:	NO	MULTI	DESCRIPTION: PANNING TRIM (MP-250)						
TDI NO:									
FLORIDA NO:									
			DRAWN BY:	T.Jobb	DATE DRAWN:	2/19/14	SHEET SIZE:	A	

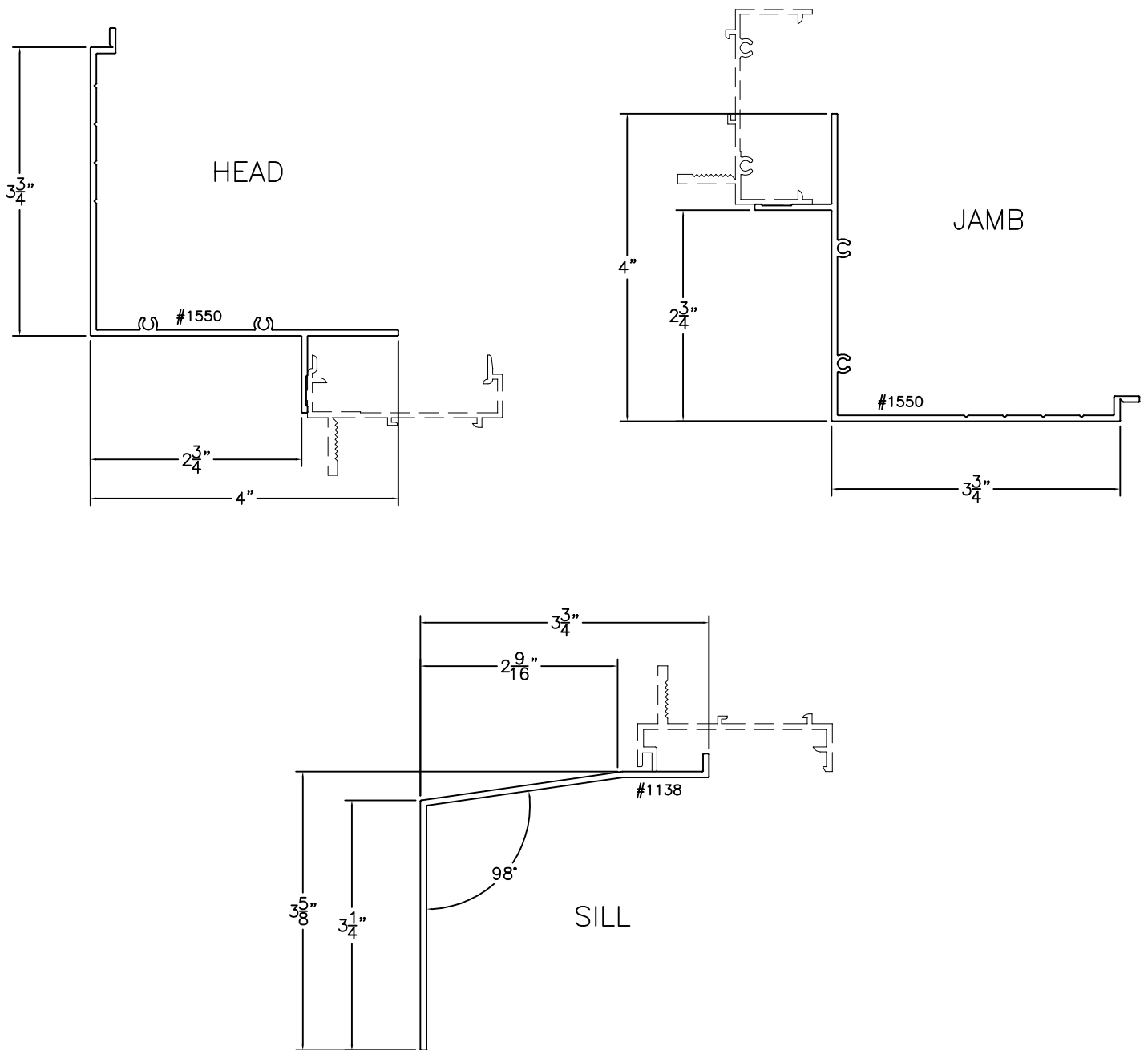
3  
OF  
19



**ALL SEASONS**  
 ARCHITECTURAL WINDOWS MFG.  
 1293 N. Harvey Mitchell Pkwy.  
 Phone: (979) 823-6557  
 Fax: (979) 823-1005

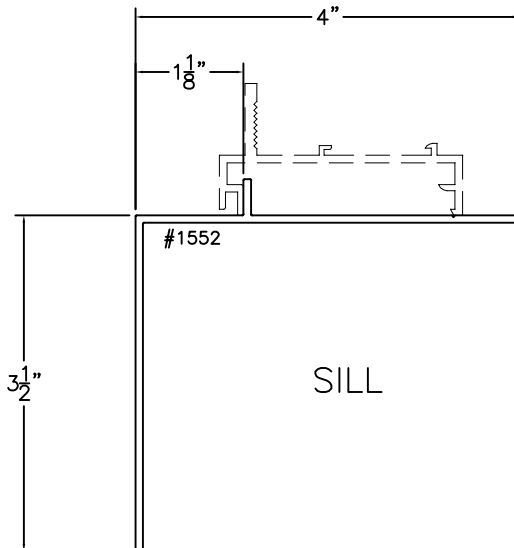
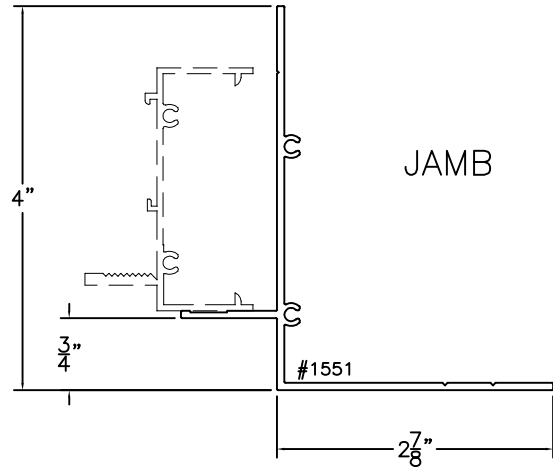
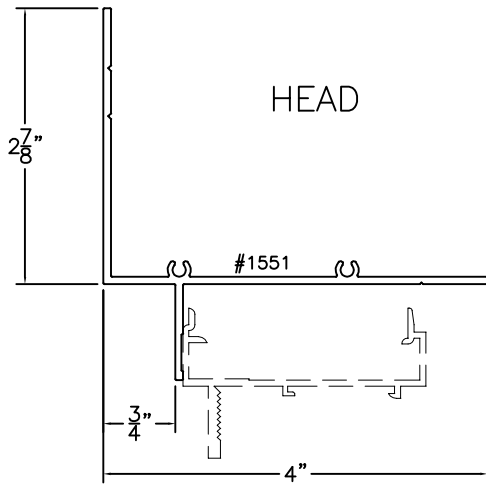
IMPACT:	NO	COMPATIBLE SERIES:	FAMILY:	ACC	SCALE:	1:2	REVISION:	B
BLAST:	NO	MULTI	DESCRIPTION: PANNING TRIM (MB-600)					
TDI NO:								
FLORIDA NO:			THIS DRAWING CONTAINS CONFIDENTIAL INFORMATION WHICH IS THE PROPERTY OF ALL SEASONS. RECEIPT OR POSSESSION OF REPRODUCTIONS OF THIS DRAWING OR POSSESSION OF REPRODUCTIONS OF THIS DRAWING DOES NOT CONFER ANY RIGHTS OR LICENSE TO USE INFORMATION CONTAINED HEREIN WITHOUT THE WRITTEN CONSENT OF ALL SEASONS.					
			DRAWN BY:	T.Jobb	DATE DRAWN:	2/19/14	SHEET SIZE:	A

SHEET NUMBER  
 4  
 OF  
 19



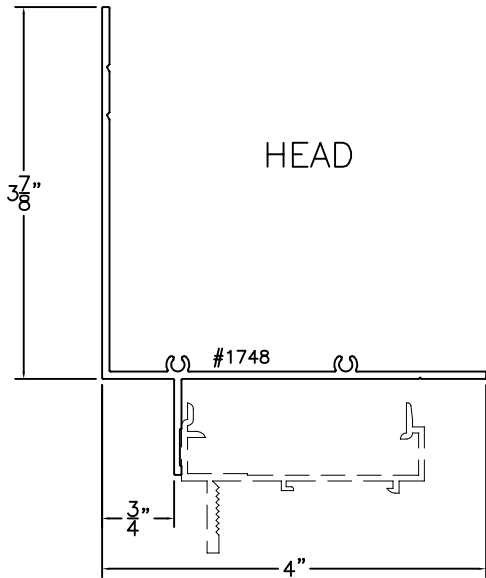
**ALL SEASONS**  
 ARCHITECTURAL WINDOWS MFG.  
 1293 N. Harvey Mitchell Pkwy.  
 Phone: (979) 823-6557  
 Fax: (979) 823-1005

IMPACT:	NO	COMPATIBLE SERIES:	FAMILY:	ACC	SCALE:	1:2	REVISION:	B	SHEET NUMBER
BLAST:	NO	MULTI	DESCRIPTION:	PANNING TRIM (MB-650)			5 OF 19		
TDI NO:			THIS DRAWING CONTAINS CONFIDENTIAL INFORMATION WHICH IS THE PROPERTY OF ALL SEASONS. RECEIPT OR POSSESSION OF REPRODUCTIONS OF THIS DRAWING OR POSSESSION OF REPRODUCTIONS OF THIS DRAWING DOES NOT CONFER ANY RIGHTS OR LICENSE TO USE INFORMATION CONTAINED HEREIN WITHOUT THE WRITTEN CONSENT OF ALL SEASONS.						
FLORIDA NO:			DRAWN BY:	T.Jobb	DATE DRAWN:	2/19/14		SHEET SIZE:	A

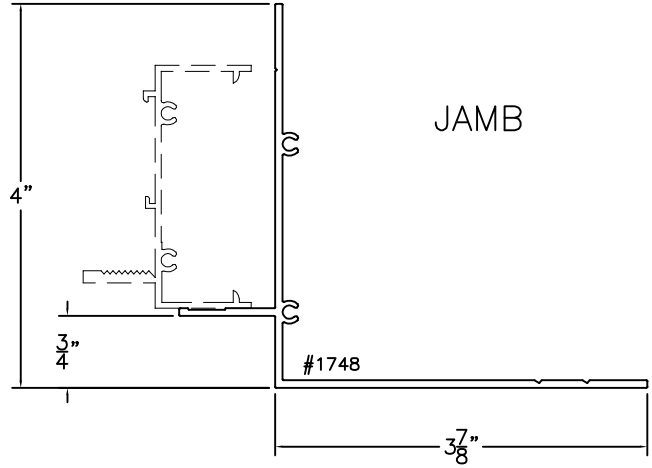


**ALL SEASONS**  
 ARCHITECTURAL WINDOWS MFG.  
 1293 N. Harvey Mitchell Pkwy.  
 Phone: (979) 823-6557  
 Fax: (979) 823-1005

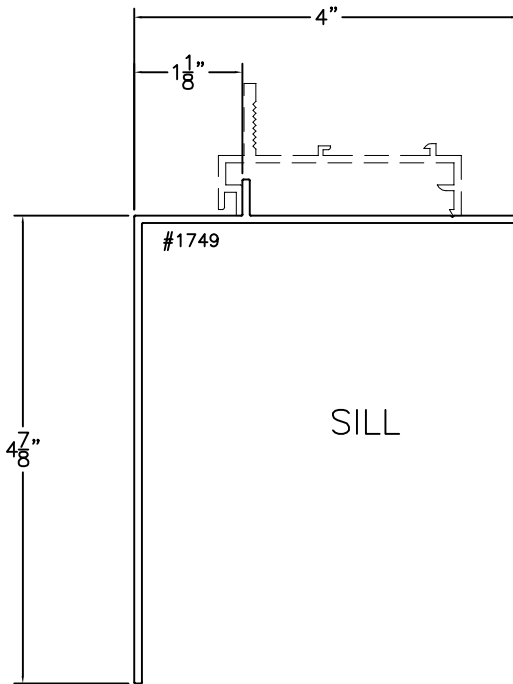
IMPACT:	NO	COMPATIBLE SERIES:	FAMILY:	ACC	SCALE:	1:2	REVISION:	B	SHEET NUMBER
BLAST:	NO	MULTI	DESCRIPTION:						
TDI NO:			PANNING TRIM (MB-700)						
FLORIDA NO:									
			THIS DRAWING CONTAINS CONFIDENTIAL INFORMATION WHICH IS THE PROPERTY OF ALL SEASONS. RECEIPT OR POSSESSION OF REPRODUCTIONS OF THIS DRAWING OR POSSESSION OF REPRODUCTIONS OF THIS DRAWING DOES NOT CONFER ANY RIGHTS OR LICENSE TO USE INFORMATION CONTAINED HEREIN WITHOUT THE WRITTEN CONSENT OF ALL SEASONS.						
			DRAWN BY:	T.Jobb	DATE DRAWN:	2/19/14	SHEET SIZE:	A	6 OF 19



HEAD



JAMB

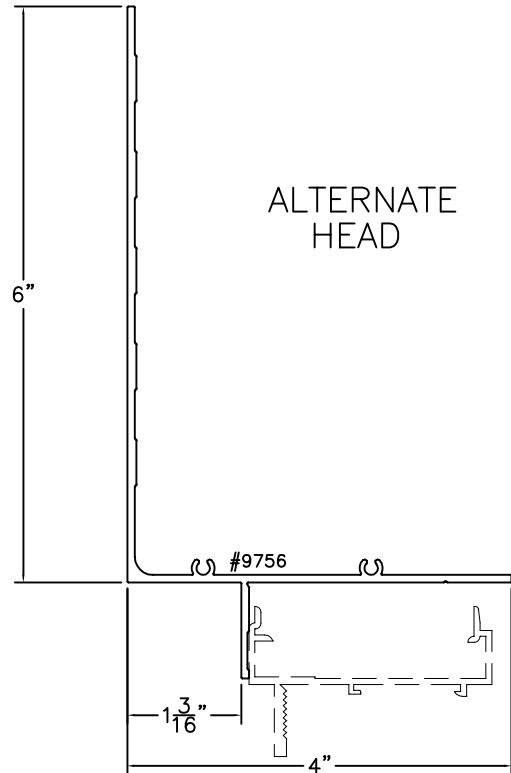
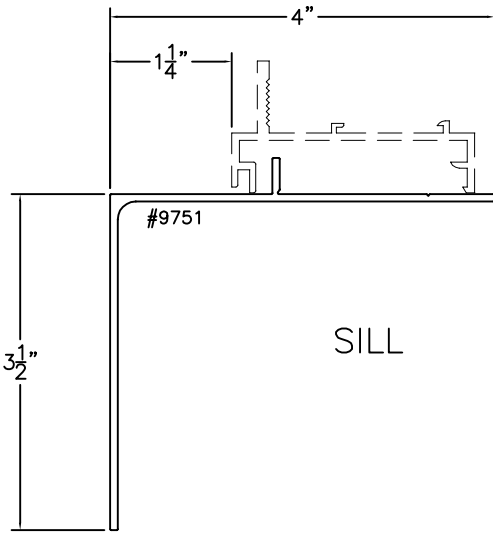
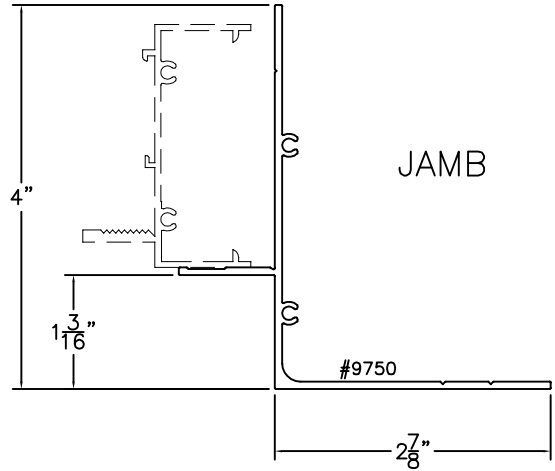
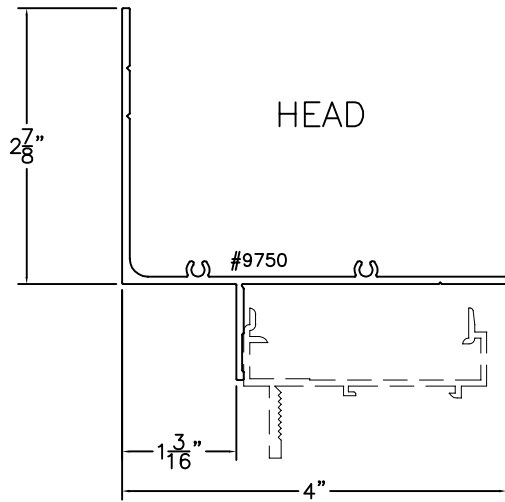


SILL

**ALL SEASONS**  
 ARCHITECTURAL WINDOWS MFG.  
 1293 N. Harvey Mitchell Pkwy.  
 Phone: (979) 823-6557  
 Fax: (979) 823-1005

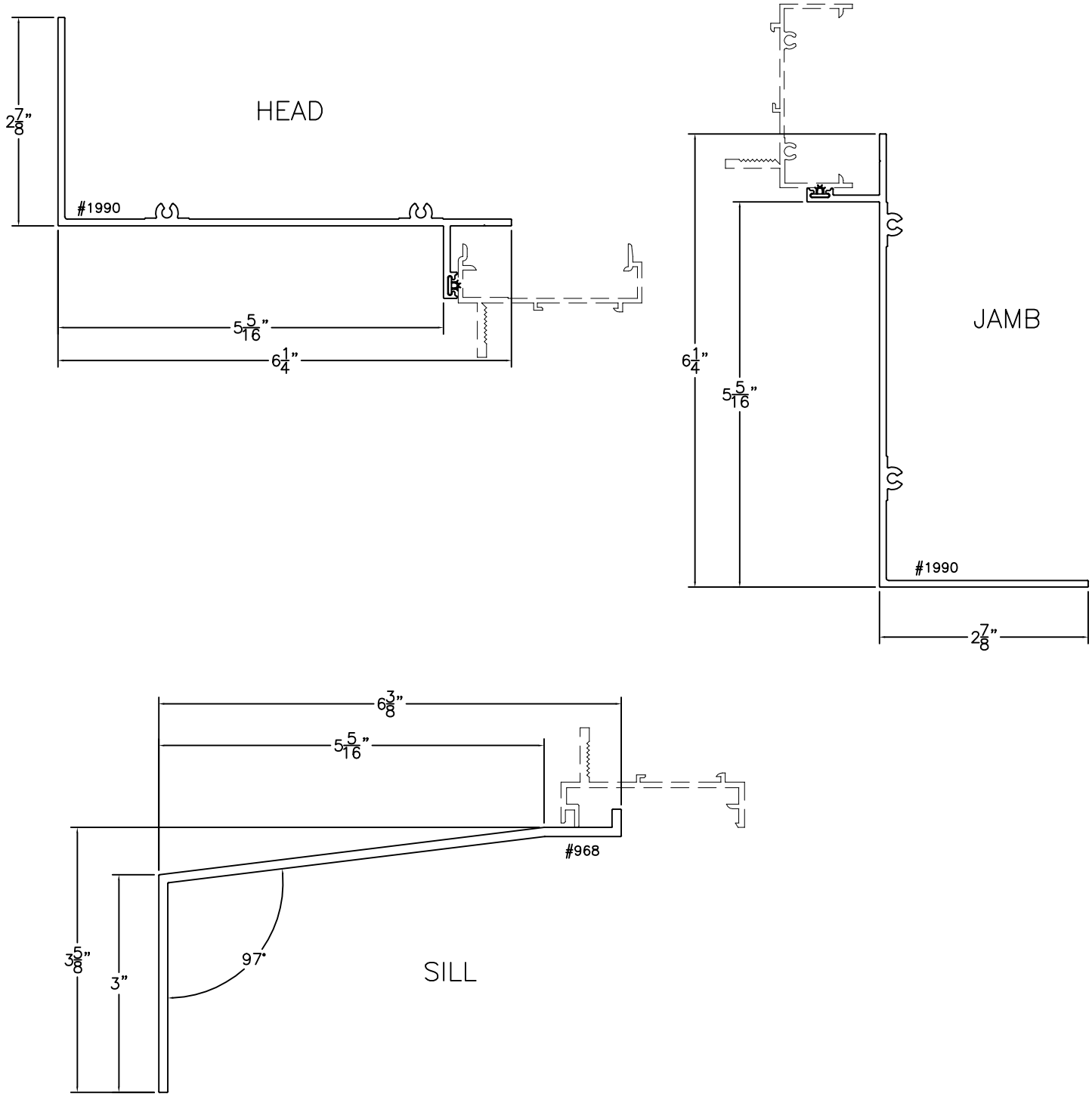
IMPACT:	NO	COMPATIBLE SERIES:	FAMILY:	ACC	SCALE:	1:2	REVISION:	B
BLAST:	NO	MULTI	DESCRIPTION: PANNING TRIM (MB-750)					
TDI NO:								
FLORIDA NO:			THIS DRAWING CONTAINS CONFIDENTIAL INFORMATION WHICH IS THE PROPERTY OF ALL SEASONS. RECEIPT OR POSSESSION OF REPRODUCTIONS OF THIS DRAWING OR POSSESSION OF REPRODUCTIONS OF THIS DRAWING DOES NOT CONFER ANY RIGHTS OR LICENSE TO USE INFORMATION CONTAINED HEREIN WITHOUT THE WRITTEN CONSENT OF ALL SEASONS.					
			DRAWN BY:	T.Jobb	DATE DRAWN:	2/19/14	SHEET SIZE:	A

SHEET NUMBER  
 7  
 OF  
 19

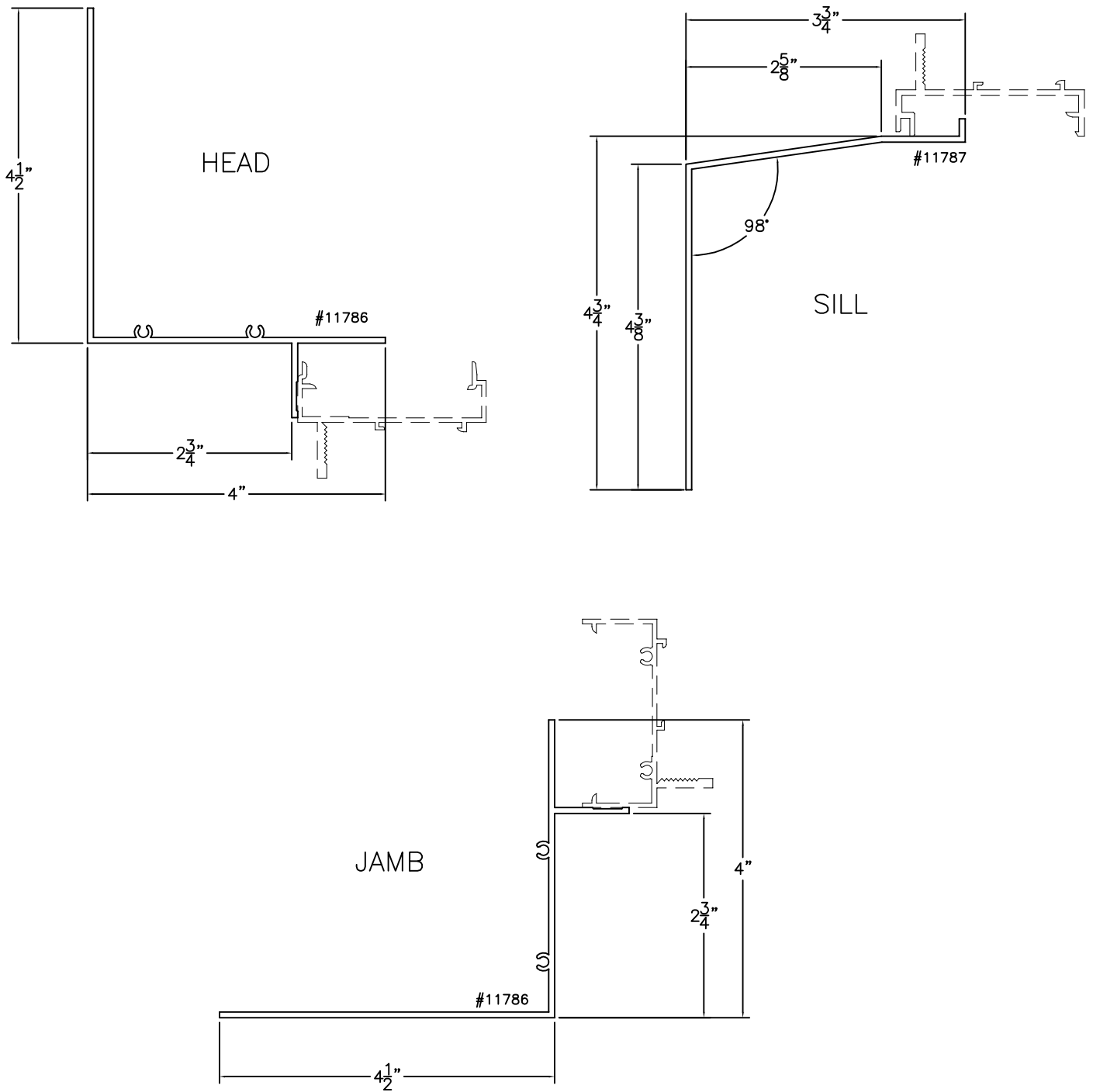


**ALL SEASONS**  
 ARCHITECTURAL WINDOWS MFG.  
 1293 N. Harvey Mitchell Pkwy.  
 Phone: (979) 823-6557  
 Fax: (979) 823-1005

IMPACT:	NO	COMPATIBLE SERIES:	FAMILY:	ACC	SCALE:	1:2	REVISION:	B	SHEET NUMBER
BLAST:	NO	MULTI	DESCRIPTION:						
TDI NO:			PANNING TRIM (MB-800)						
FLORIDA NO:									
			THIS DRAWING CONTAINS CONFIDENTIAL INFORMATION WHICH IS THE PROPERTY OF ALL SEASONS. RECEIPT OR POSSESSION OF REPRODUCTIONS OF THIS DRAWING OR POSSESSION OF REPRODUCTIONS OF THIS DRAWING DOES NOT CONFER ANY RIGHTS OR LICENSE TO USE INFORMATION CONTAINED HEREIN WITHOUT THE WRITTEN CONSENT OF ALL SEASONS.						
			DRAWN BY:	T.Jobb	DATE DRAWN:	2/19/14	SHEET SIZE:	A	8 OF 19



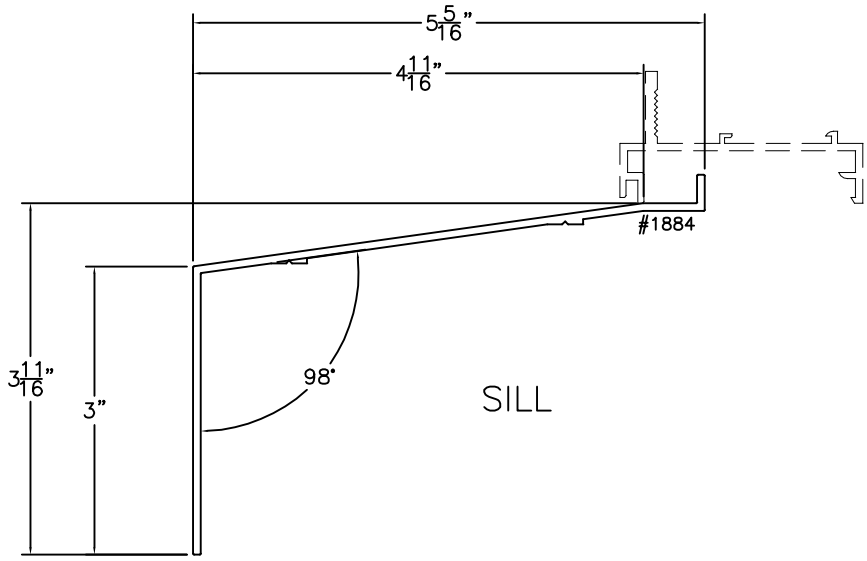
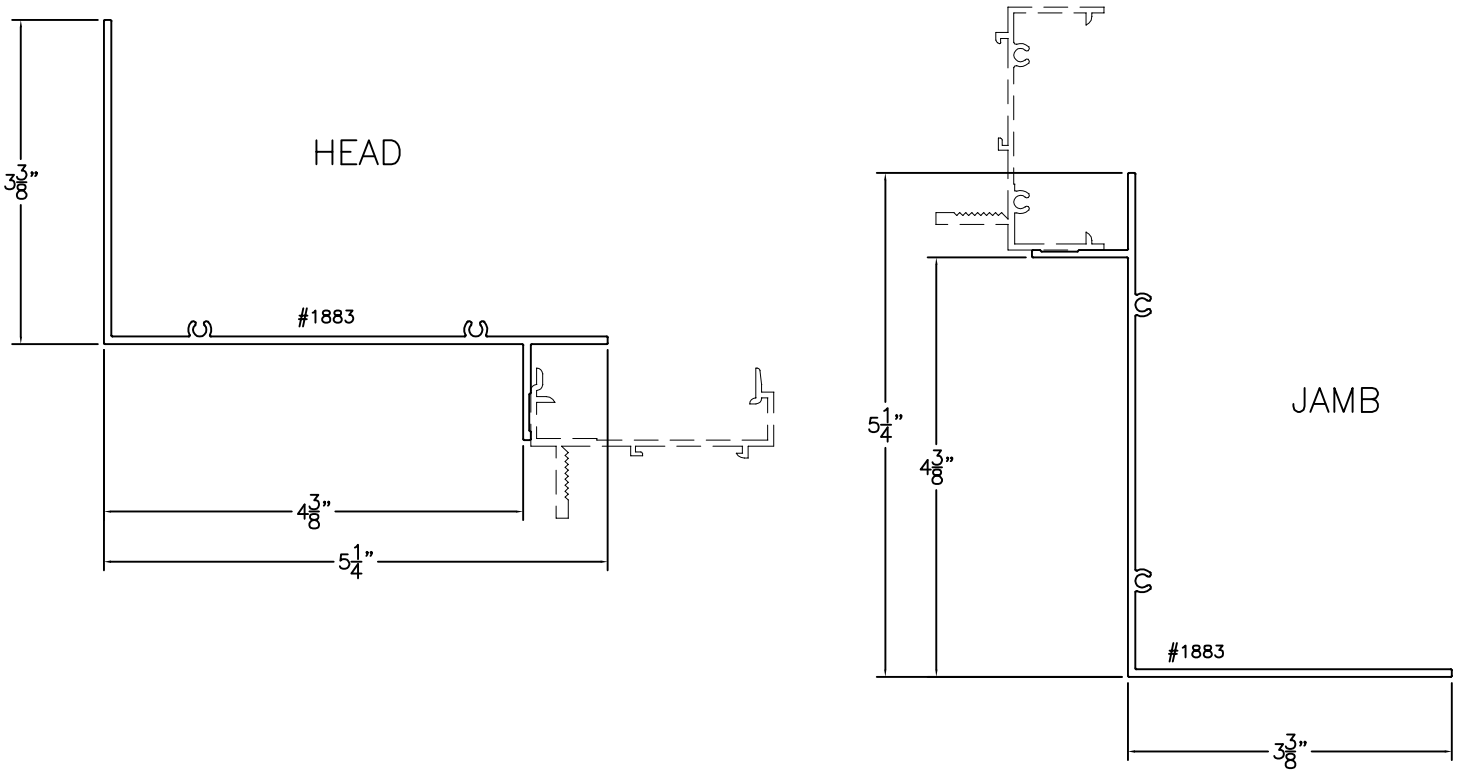
<p>1293 N. Harvey Mitchell Pkwy. Phone: (979) 823-6557 Fax: (979) 823-1005</p>	IMPACT:	NO	COMPATIBLE SERIES:	FAMILY:	ACC	SCALE:	1:2	REVISION:	B	SHEET NUMBER
	BLAST:	NO	MULTI	DESCRIPTION: PANNING TRIM (MP-150)						
	TDI NO:									
	FLORIDA NO:			THIS DRAWING CONTAINS CONFIDENTIAL INFORMATION WHICH IS THE PROPERTY OF ALL SEASONS. RECEIPT OR POSSESSION OF REPRODUCTIONS OF THIS DRAWING OR POSSESSION OF REPRODUCTIONS OF THIS DRAWING DOES NOT CONFER ANY RIGHTS OR LICENSE TO USE INFORMATION CONTAINED HEREIN WITHOUT THE WRITTEN CONSENT OF ALL SEASONS.						
			DRAWN BY:	T.Jobb	DATE DRAWN:	2/19/14	SHEET SIZE:	A	9 OF 19	




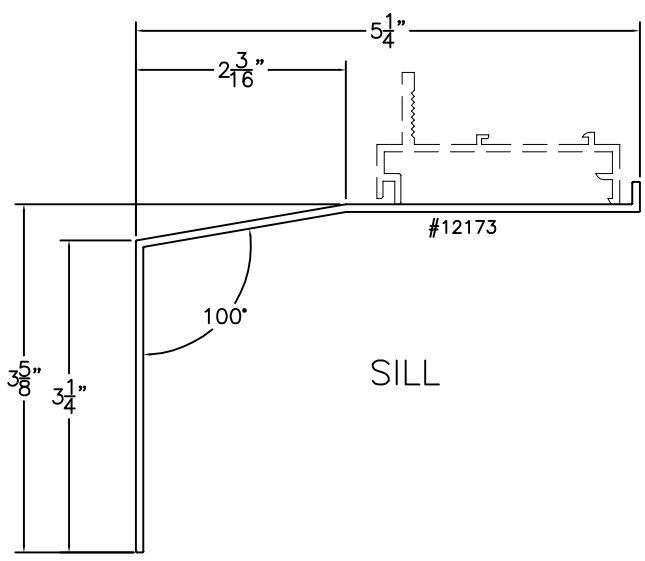
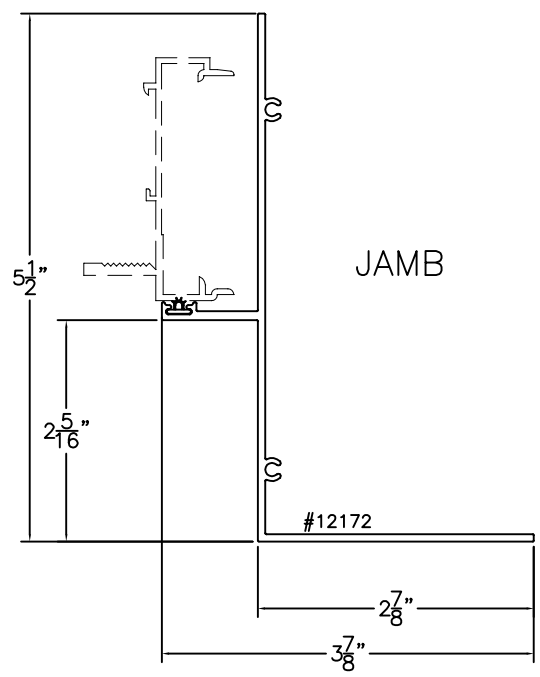
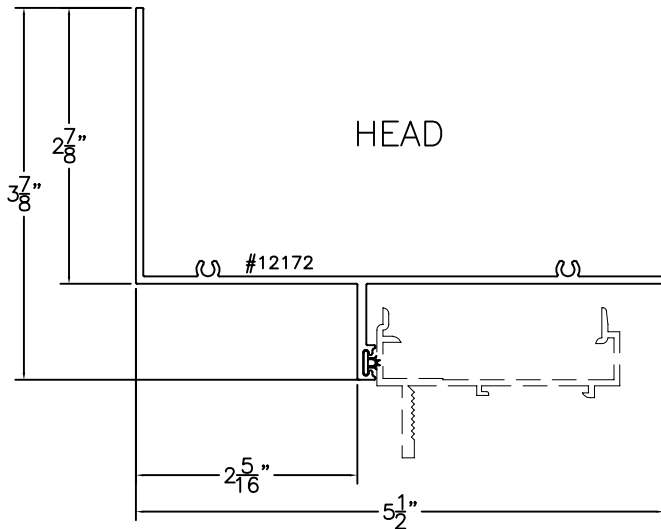
**ALL SEASONS**  
ARCHITECTURAL WINDOWS MFG.


1293 N. Harvey Mitchell Pkwy.  
Phone: (979) 823-6557  
Fax: (979) 823-1005

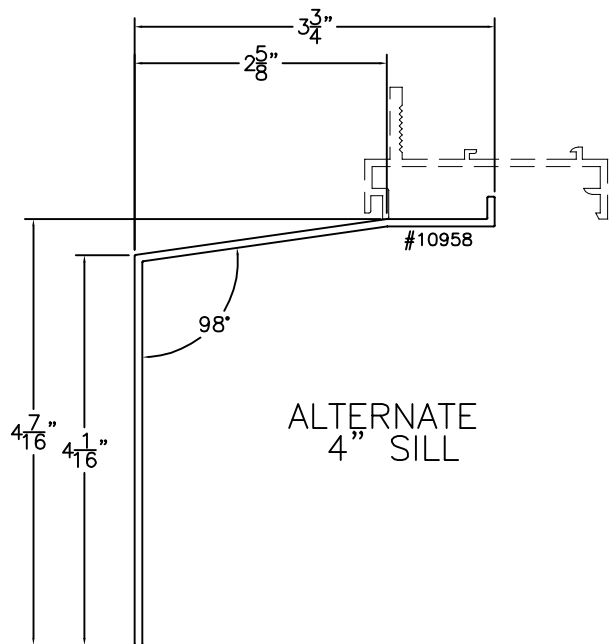
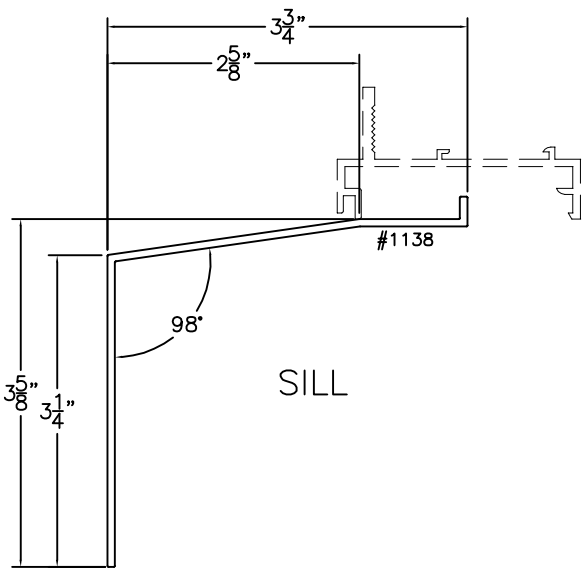
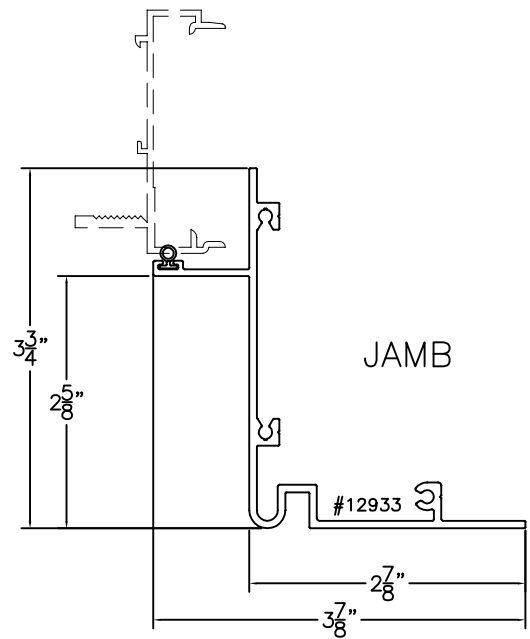
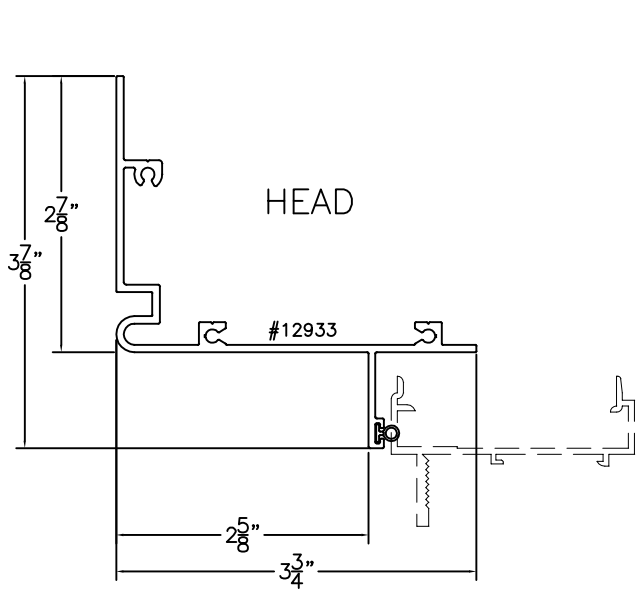
IMPACT:	NO	COMPATIBLE SERIES:	FAMILY:	ACC	SCALE:	1:2	REVISION:	B	SHEET NUMBER
BLAST:	NO	MULTI	DESCRIPTION: PANNING TRIM (MP-300)						
TDI NO:									
FLORIDA NO:			THIS DRAWING CONTAINS CONFIDENTIAL INFORMATION WHICH IS THE PROPERTY OF ALL SEASONS. RECEIPT OR POSSESSION OF REPRODUCTIONS OF THIS DRAWING OR POSSESSION OF REPRODUCTIONS OF THIS DRAWING DOES NOT CONFER ANY RIGHTS OR LICENSE TO USE INFORMATION CONTAINED HEREIN WITHOUT THE WRITTEN CONSENT OF ALL SEASONS.						
			DRAWN BY:	T.Jobb	DATE DRAWN:	2/19/14	SHEET SIZE:	A	10 OF 19



 <p>1293 N. Harvey Mitchell Pkwy. Phone: (979) 823-6557 Fax: (979) 823-1005</p>	IMPACT:	NO	COMPATIBLE SERIES:	FAMILY:	ACC	SCALE:	1:2	REVISION:	B	SHEET NUMBER
	BLAST:	NO	MULTI	DESCRIPTION:						
	TDI NO:			<p>PANNING TRIM (NAS)</p> <p>THIS DRAWING CONTAINS CONFIDENTIAL INFORMATION WHICH IS THE PROPERTY OF ALL SEASONS. RECEIPT OR POSSESSION OF REPRODUCTIONS OF THIS DRAWING OR POSSESSION OF REPRODUCTIONS OF THIS DRAWING DOES NOT CONFER ANY RIGHTS OR LICENSE TO USE INFORMATION CONTAINED HEREIN WITHOUT THE WRITTEN CONSENT OF ALL SEASONS.</p>						
	FLORIDA NO:									
				DRAWN BY:	T.Jobb	DATE DRAWN:	2/19/14	SHEET SIZE:	A	11 OF 19

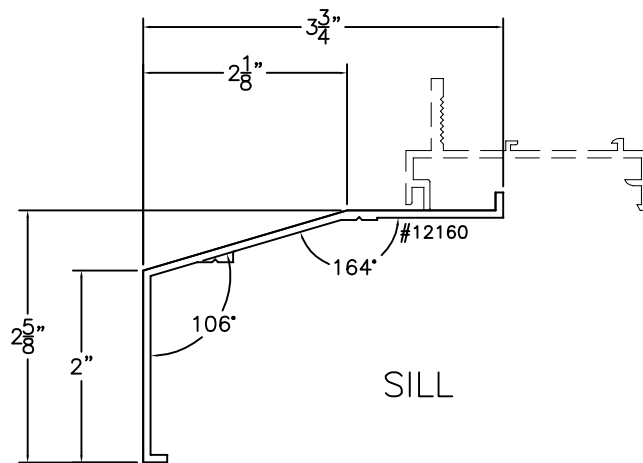
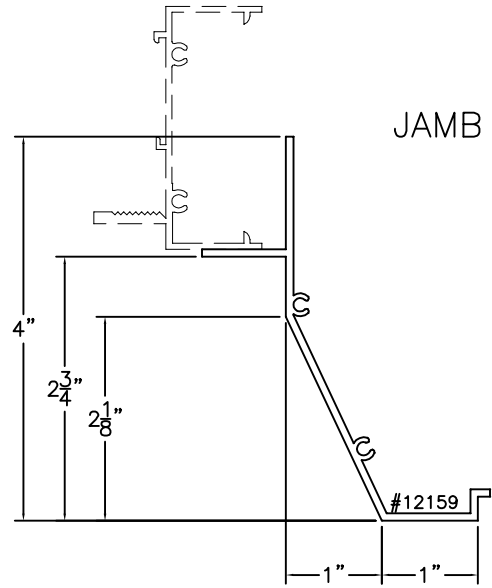
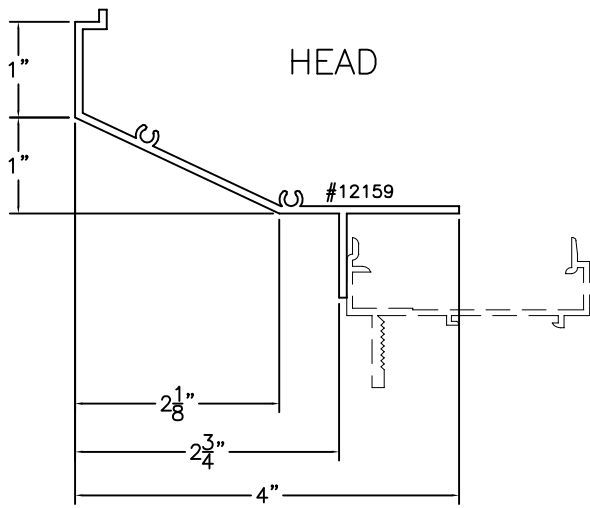


 <p>1293 N. Harvey Mitchell Pkwy. Phone: (979) 823-6557 Fax: (979) 823-1005</p>	IMPACT:	NO	COMPATIBLE SERIES:	FAMILY:	ACC	SCALE:	1:2	REVISION:	B	SHEET NUMBER	
	BLAST:	NO	MULTI	DESCRIPTION: PANNING TRIM (GREER)							12 OF 19
	TDI NO:										
	FLORIDA NO:										
	THIS DRAWING CONTAINS CONFIDENTIAL INFORMATION WHICH IS THE PROPERTY OF ALL SEASONS. RECEIPT OR POSSESSION OF REPRODUCTIONS OF THIS DRAWING OR POSSESSION OF REPRODUCTIONS OF THIS DRAWING DOES NOT CONFER ANY RIGHTS OR LICENSE TO USE INFORMATION CONTAINED HEREIN WITHOUT THE WRITTEN CONSENT OF ALL SEASONS.										
				DRAWN BY:	T.Jobb	DATE DRAWN:	2/19/14	SHEET SIZE:		A	



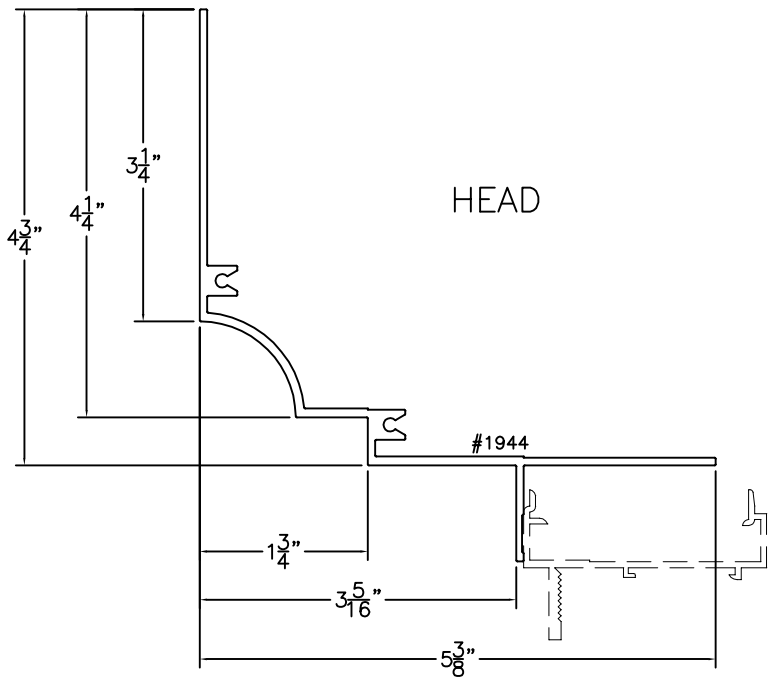
**ALL SEASONS**  
 ARCHITECTURAL WINDOWS MFG.  
 1293 N. Harvey Mitchell Pkwy.  
 Phone: (979) 823-6557  
 Fax: (979) 823-1005

IMPACT:	NO	COMPATIBLE SERIES:	FAMILY:	ACC	SCALE:	1:2	REVISION:	B	SHEET NUMBER	
BLAST:	NO	MULTI	DESCRIPTION:							
TDI NO:			PANNING TRIM (OGEE)							13 OF 19
FLORIDA NO:										
THIS DRAWING CONTAINS CONFIDENTIAL INFORMATION WHICH IS THE PROPERTY OF ALL SEASONS. RECEIPT OR POSSESSION OF REPRODUCTIONS OF THIS DRAWING OR POSSESSION OF REPRODUCTIONS OF THIS DRAWING DOES NOT CONFER ANY RIGHTS OR LICENSE TO USE INFORMATION CONTAINED HEREIN WITHOUT THE WRITTEN CONSENT OF ALL SEASONS.			DRAWN BY:		T.Jobb	DATE DRAWN:	2/19/14	SHEET SIZE:	A	

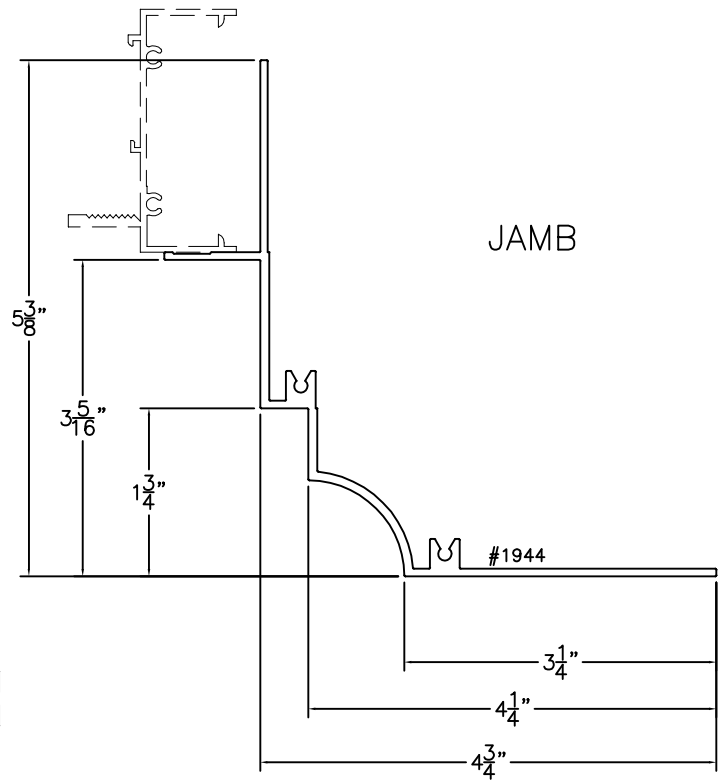


**ALL SEASONS**  
 ARCHITECTURAL WINDOWS MFG.  
 1293 N. Harvey Mitchell Pkwy.  
 Phone: (979) 823-6557  
 Fax: (979) 823-1005

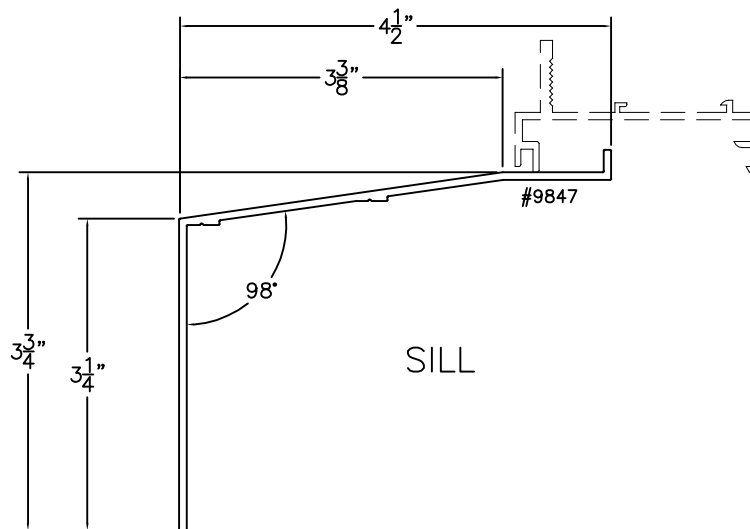
IMPACT:	NO	COMPATIBLE SERIES:	FAMILY:	ACC	SCALE:	1:2	REVISION:	B	SHEET NUMBER
BLAST:	NO	MULTI	DESCRIPTION:	PANNING TRIM (GEORGIA)					
TDI NO:									
FLORIDA NO:			THIS DRAWING CONTAINS CONFIDENTIAL INFORMATION WHICH IS THE PROPERTY OF ALL SEASONS. RECEIPT OR POSSESSION OF REPRODUCTIONS OF THIS DRAWING OR POSSESSION OF REPRODUCTIONS OF THIS DRAWING DOES NOT CONFER ANY RIGHTS OR LICENSE TO USE INFORMATION CONTAINED HEREIN WITHOUT THE WRITTEN CONSENT OF ALL SEASONS.						
			DRAWN BY:	T.Jobb	DATE DRAWN:	2/19/14	SHEET SIZE:	A	



HEAD



JAMB

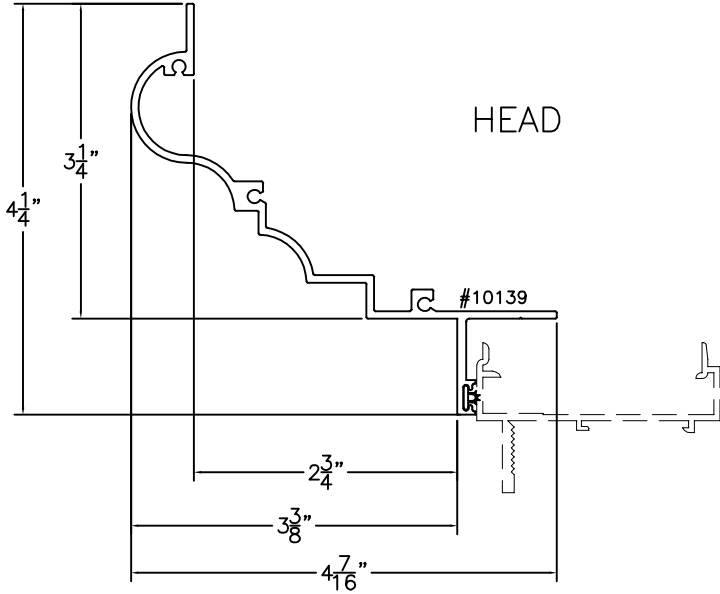


SILL

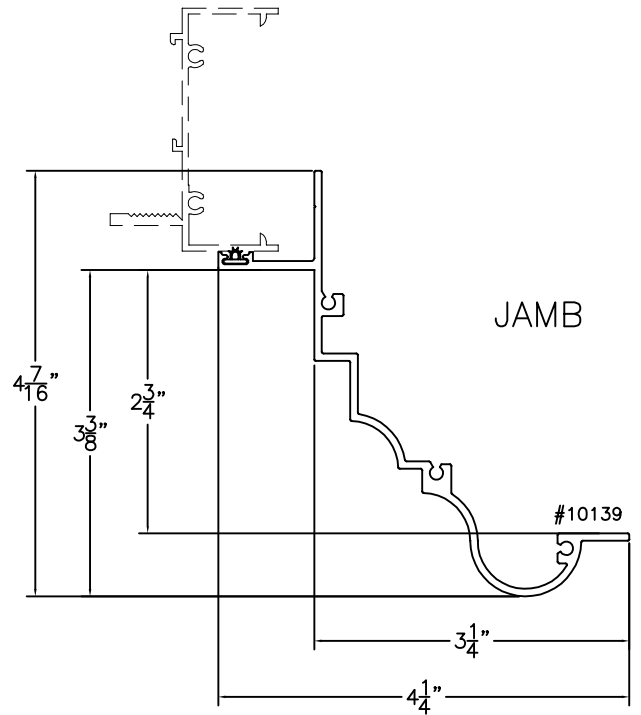
**ALL SEASONS**  
 ARCHITECTURAL WINDOWS MFG.  
 1293 N. Harvey Mitchell Pkwy.  
 Phone: (979) 823-6557  
 Fax: (979) 823-1005

IMPACT:	NO	COMPATIBLE SERIES:	FAMILY:	ACC	SCALE:	1:2	REVISION:	B	SHEET NUMBER	
BLAST:	NO	MULTI	DESCRIPTION:	PANNING TRIM (GOTHIC)				15 OF 19		
TDI NO:			THIS DRAWING CONTAINS CONFIDENTIAL INFORMATION WHICH IS THE PROPERTY OF ALL SEASONS. RECEIPT OR POSSESSION OF REPRODUCTIONS OF THIS DRAWING OR POSSESSION OF REPRODUCTIONS OF THIS DRAWING DOES NOT CONFER ANY RIGHTS OR LICENSE TO USE INFORMATION CONTAINED HEREIN WITHOUT THE WRITTEN CONSENT OF ALL SEASONS.							
FLORIDA NO:			DRAWN BY:	T.Jobb	DATE DRAWN:	2/19/14	SHEET SIZE:		A	

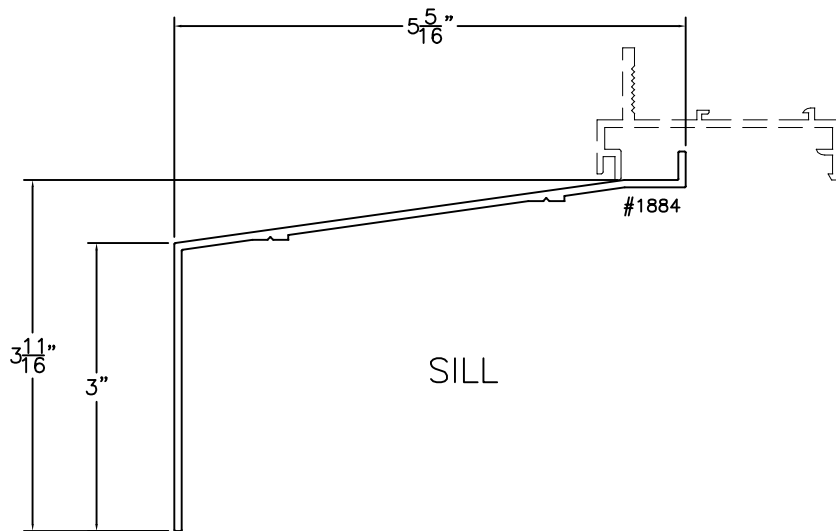




HEAD



JAMB

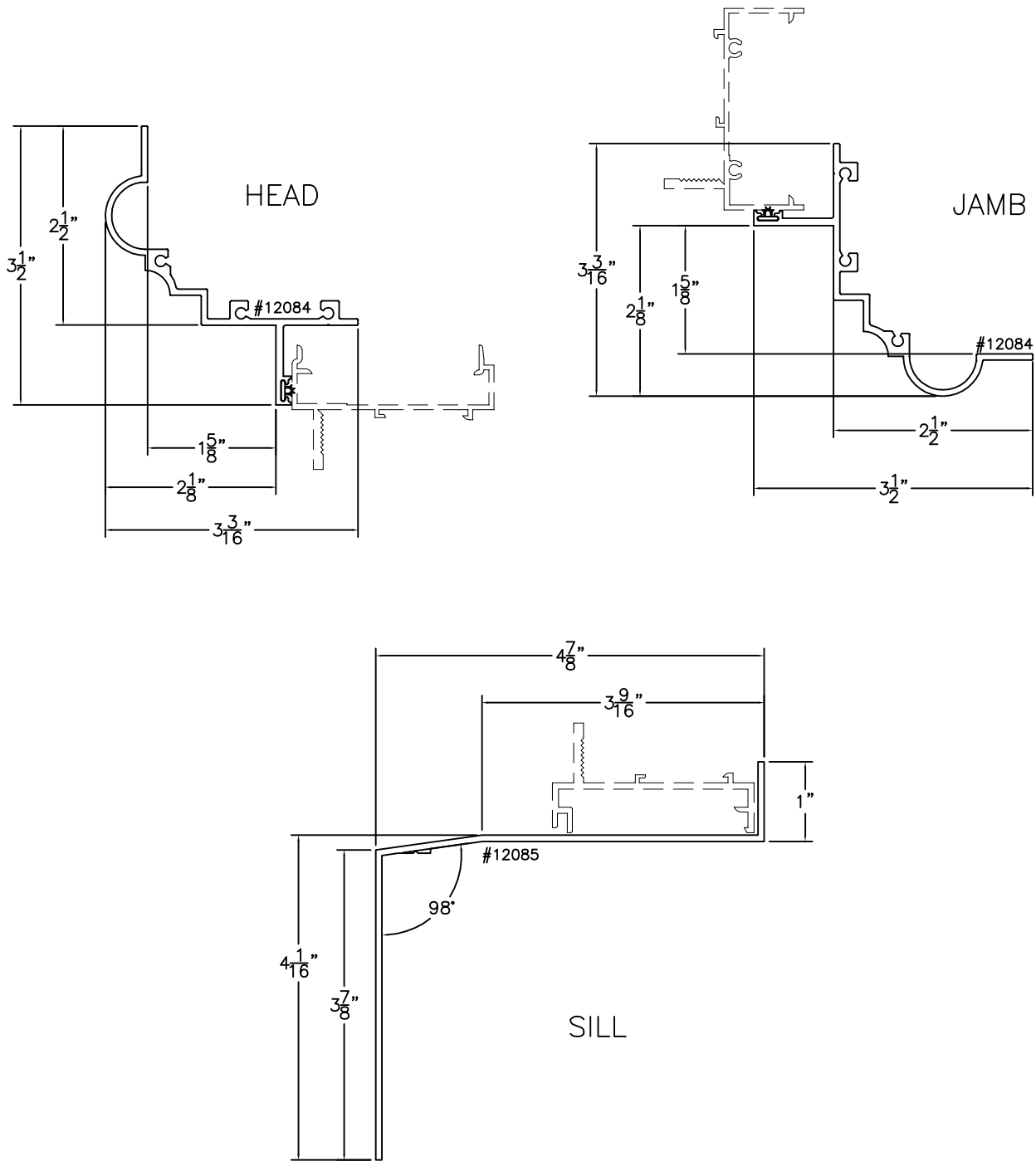


SILL

**ALL SEASONS**  
 ARCHITECTURAL WINDOWS MFG.  
 1293 N. Harvey Mitchell Pkwy.  
 Phone: (979) 823-6557  
 Fax: (979) 823-1005

IMPACT:	NO	COMPATIBLE SERIES:	FAMILY:	ACC	SCALE:	1:2	REVISION:	B	SHEET NUMBER
BLAST:	NO	MULTI	DESCRIPTION:						
TDI NO:			PANNING TRIM (BULL NOSE)						
FLORIDA NO:									
			THIS DRAWING CONTAINS CONFIDENTIAL INFORMATION WHICH IS THE PROPERTY OF ALL SEASONS. RECEIPT OR POSSESSION OF REPRODUCTIONS OF THIS DRAWING OR POSSESSION OF REPRODUCTIONS OF THIS DRAWING DOES NOT CONFER ANY RIGHTS OR LICENSE TO USE INFORMATION CONTAINED HEREIN WITHOUT THE WRITTEN CONSENT OF ALL SEASONS.						
			DRAWN BY:	T.Jobb	DATE DRAWN:	2/19/14	SHEET SIZE: A		

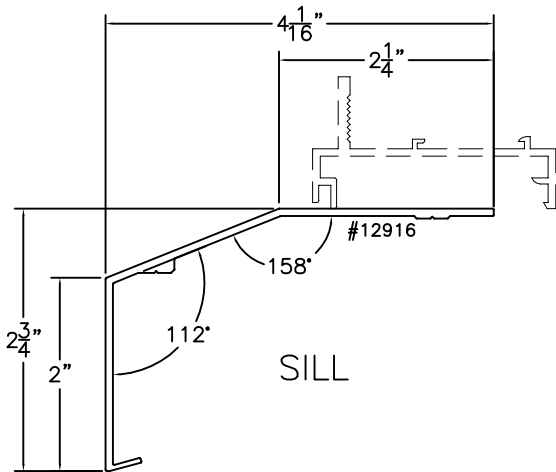
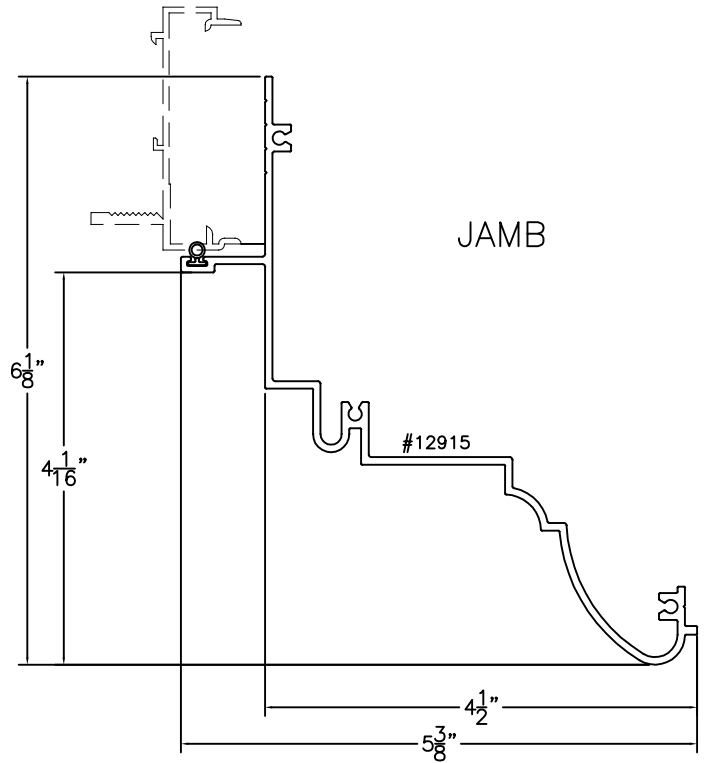
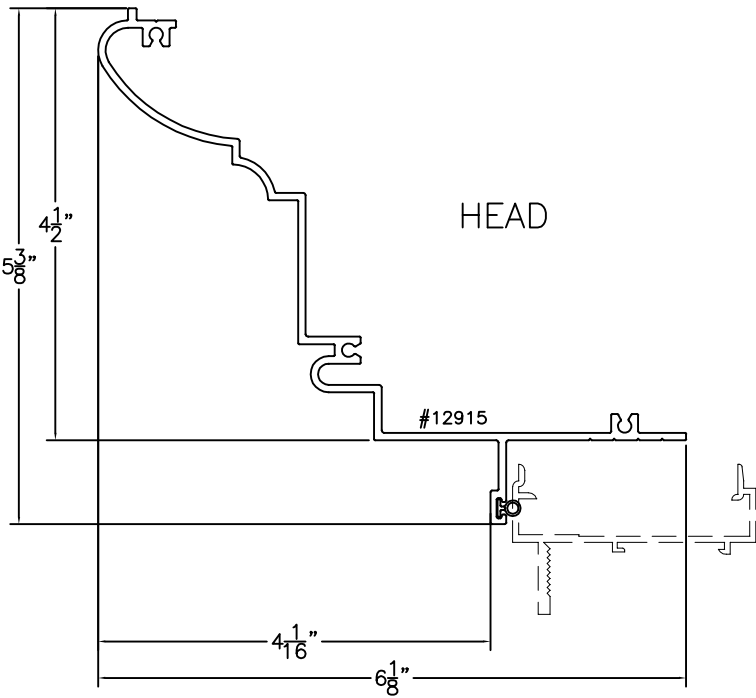
17  
OF  
19



**ALL SEASONS**  
 ARCHITECTURAL WINDOWS MFG.  
 1293 N. Harvey Mitchell Pkwy.  
 Phone: (979) 823-6557  
 Fax: (979) 823-1005

IMPACT:	NO	COMPATIBLE SERIES:	FAMILY:	ACC	SCALE:	1:2	REVISION:	B
BLAST:	NO	MULTI	DESCRIPTION:	PANNING TRIM (CANAL)				
TDI NO:								
FLORIDA NO:			THIS DRAWING CONTAINS CONFIDENTIAL INFORMATION WHICH IS THE PROPERTY OF ALL SEASONS. RECEIPT OR POSSESSION OF REPRODUCTIONS OF THIS DRAWING OR POSSESSION OF REPRODUCTIONS OF THIS DRAWING DOES NOT CONFER ANY RIGHTS OR LICENSE TO USE INFORMATION CONTAINED HEREIN WITHOUT THE WRITTEN CONSENT OF ALL SEASONS.					
			DRAWN BY:	T.Jobb	DATE DRAWN:	2/19/14	SHEET SIZE:	A

SHEET NUMBER  
 18  
 OF  
 19



**ALL SEASONS**  
 ARCHITECTURAL WINDOWS MFG.  
 1293 N. Harvey Mitchell Pkwy.  
 Phone: (979) 823-6557  
 Fax: (979) 823-1005

IMPACT:	NO	COMPATIBLE SERIES:	FAMILY:	ACC	SCALE:	1:2	REVISION:	B	SHEET NUMBER	
BLAST:	NO	MULTI	DESCRIPTION:							
TDI NO:			PANNING TRIM (SAMFORD)							19 OF 19
FLORIDA NO:										
THIS DRAWING CONTAINS CONFIDENTIAL INFORMATION WHICH IS THE PROPERTY OF ALL SEASONS. RECEIPT OR POSSESSION OF REPRODUCTIONS OF THIS DRAWING OR POSSESSION OF REPRODUCTIONS OF THIS DRAWING DOES NOT CONFER ANY RIGHTS OR LICENSE TO USE INFORMATION CONTAINED HEREIN WITHOUT THE WRITTEN CONSENT OF ALL SEASONS.			DRAWN BY:		T.Jobb	DATE DRAWN:		2/19/14	SHEET SIZE:	A