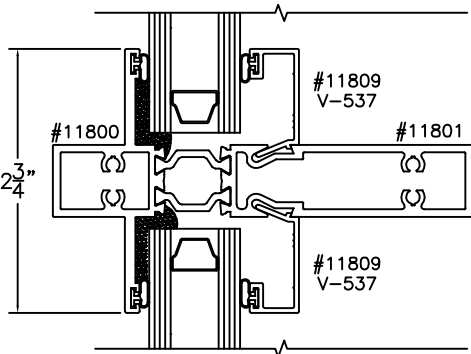
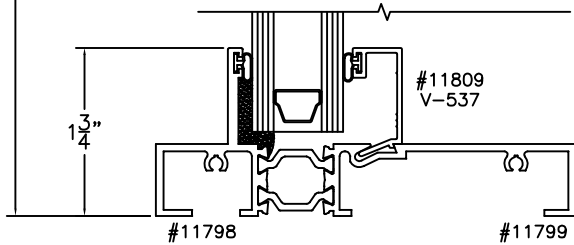


1

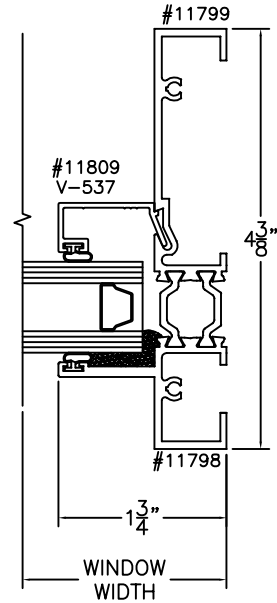


2

OPTIONAL TRUE
MUNTIN, VERTICAL OR
HORIZONTAL (HOR.
SHOWN)



3



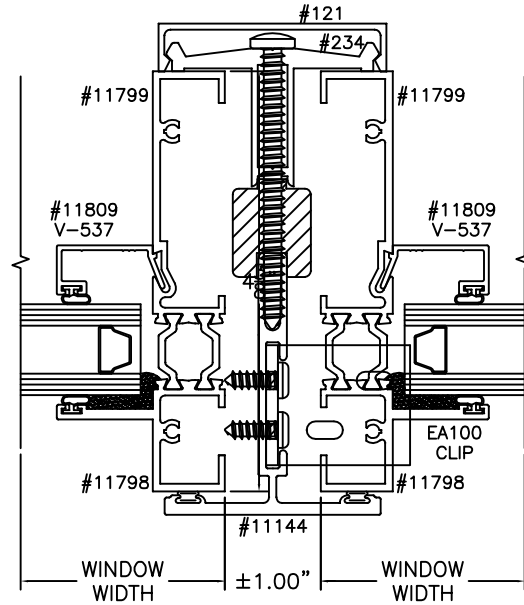
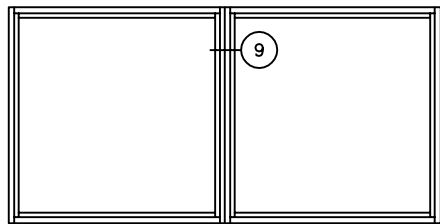
4

WINDOW
HEIGHT

WINDOW
WIDTH

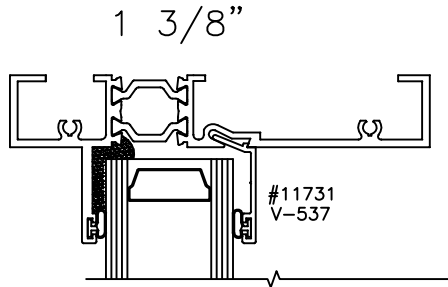
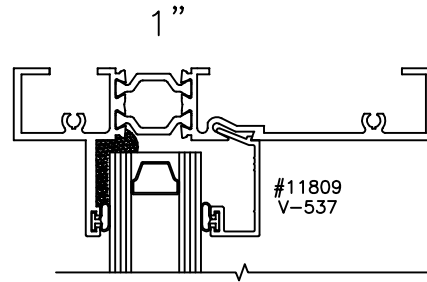
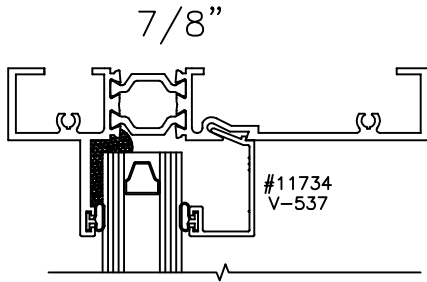
ALL SEASONS
ARCHITECTURAL WINDOWS MFG.
1293 N. Harvey Mitchell Pkwy.
Phone: (979) 823-6557
Fax: (979) 823-1005

IMPACT:	NO	COMPATIBLE SERIES:	FAMILY:	8065	SCALE:	1:2	REVISION:	A	SHEET NUMBER	
BLAST:	NO	8065SGD	DESCRIPTION:	8065 FIXED FRAME CROSS SECTIONS						1 OF 3
TDI NO:			THIS DRAWING CONTAINS CONFIDENTIAL INFORMATION WHICH IS THE PROPERTY OF ALL SEASONS. RECEIPT OR POSSESSION OF REPRODUCTIONS OF THIS DRAWING OR POSSESSION OF REPRODUCTIONS OF THIS DRAWING DOES NOT CONFER ANY RIGHTS OR LICENSE TO USE INFORMATION CONTAINED HEREIN WITHOUT THE WRITTEN CONSENT OF ALL SEASONS.							
FLORIDA NO:			DRAWN BY:	T.Jobb	DATE DRAWN:	1/29/14	SHEET SIZE:	A		
FL17121										



9

<p>1293 N. Harvey Mitchell Pkwy. Phone: (979) 823-6557 Fax: (979) 823-1005</p>	IMPACT:	NO	COMPATIBLE SERIES:	FAMILY: 8065	SCALE: 1:2	REVISION: A	SHEET NUMBER
	BLAST:	NO	8065SGD	DESCRIPTION: 8065 FIXED FRAME STACK AND MULL DETAILS			
	TDI NO:						
	FLORIDA NO:						
		FL17121		THIS DRAWING CONTAINS CONFIDENTIAL INFORMATION WHICH IS THE PROPERTY OF ALL SEASONS. RECEIPT OR POSSESSION OF REPRODUCTIONS OF THIS DRAWING OR POSSESSION OF REPRODUCTIONS OF THIS DRAWING DOES NOT CONFER ANY RIGHTS OR LICENSE TO USE INFORMATION CONTAINED HEREIN WITHOUT THE WRITTEN CONSENT OF ALL SEASONS.			
			DRAWN BY: T.JOBB	DATE DRAWN: 1/29/14	SHEET SIZE: A		



ALL SEASONS
ARCHITECTURAL WINDOWS MFG.
1293 N. Harvey Mitchell Pkwy.
Phone: (979) 823-6557
Fax: (979) 823-1005

IMPACT:	NO	COMPATIBLE SERIES:	FAMILY:	8065	SCALE:	1:2	REVISION:	A	SHEET NUMBER	
BLAST:	NO	8065SGD	DESCRIPTION:							
TDI NO:			8065 FIXED FRAME NON-IMPACT GLAZING DETAILS							3 OF 3
FLORIDA NO:			THIS DRAWING CONTAINS CONFIDENTIAL INFORMATION WHICH IS THE PROPERTY OF ALL SEASONS. RECEIPT OR POSSESSION OF REPRODUCTIONS OF THIS DRAWING OR POSSESSION OF REPRODUCTIONS OF THIS DRAWING DOES NOT CONFER ANY RIGHTS OR LICENSE TO USE INFORMATION CONTAINED HEREIN WITHOUT THE WRITTEN CONSENT OF ALL SEASONS.							
		FL17121	DRAWN BY:	T.JOBB	DATE DRAWN:	1/29/14	SHEET SIZE:	A		