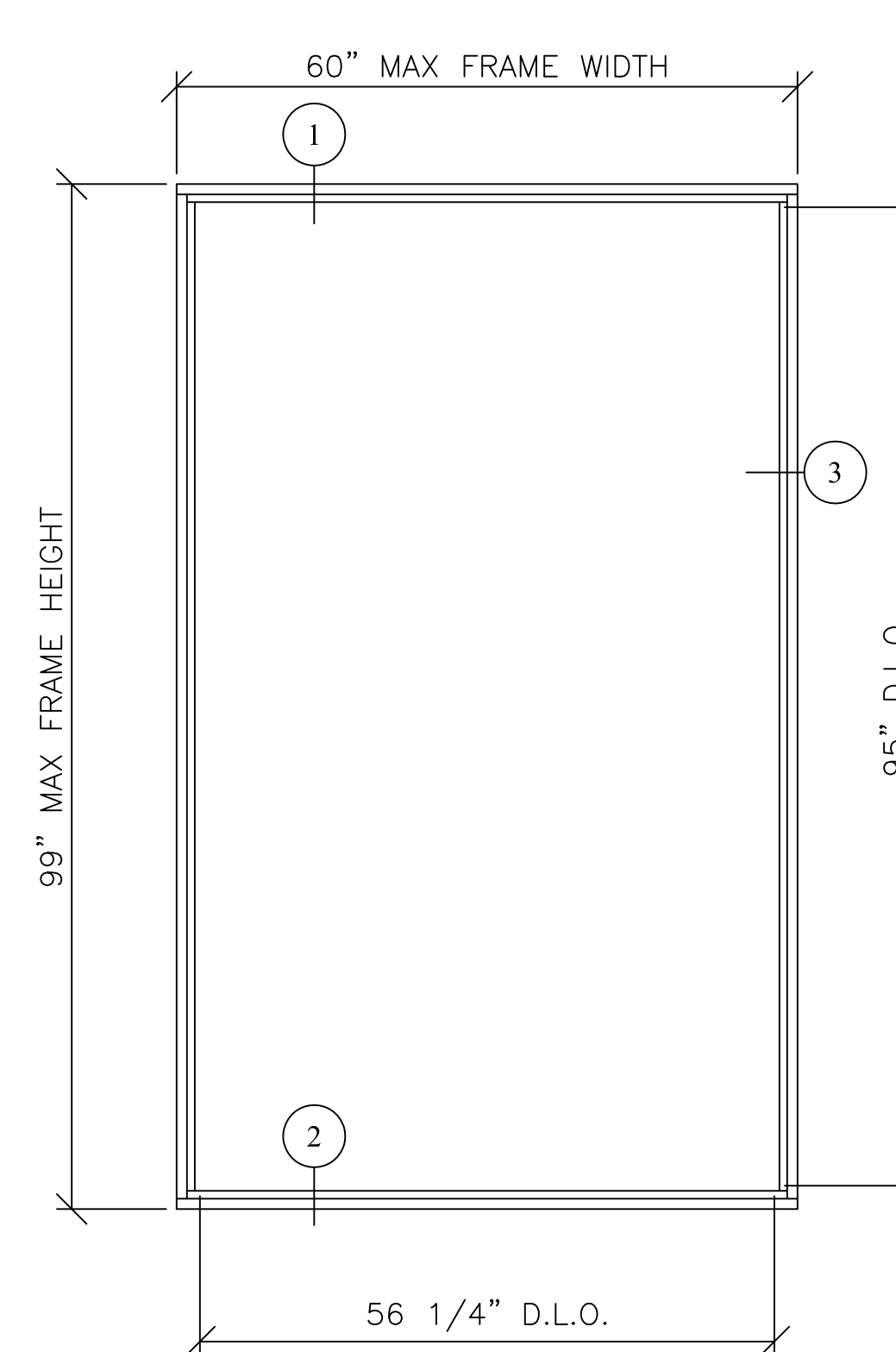


**GENERAL NOTES**

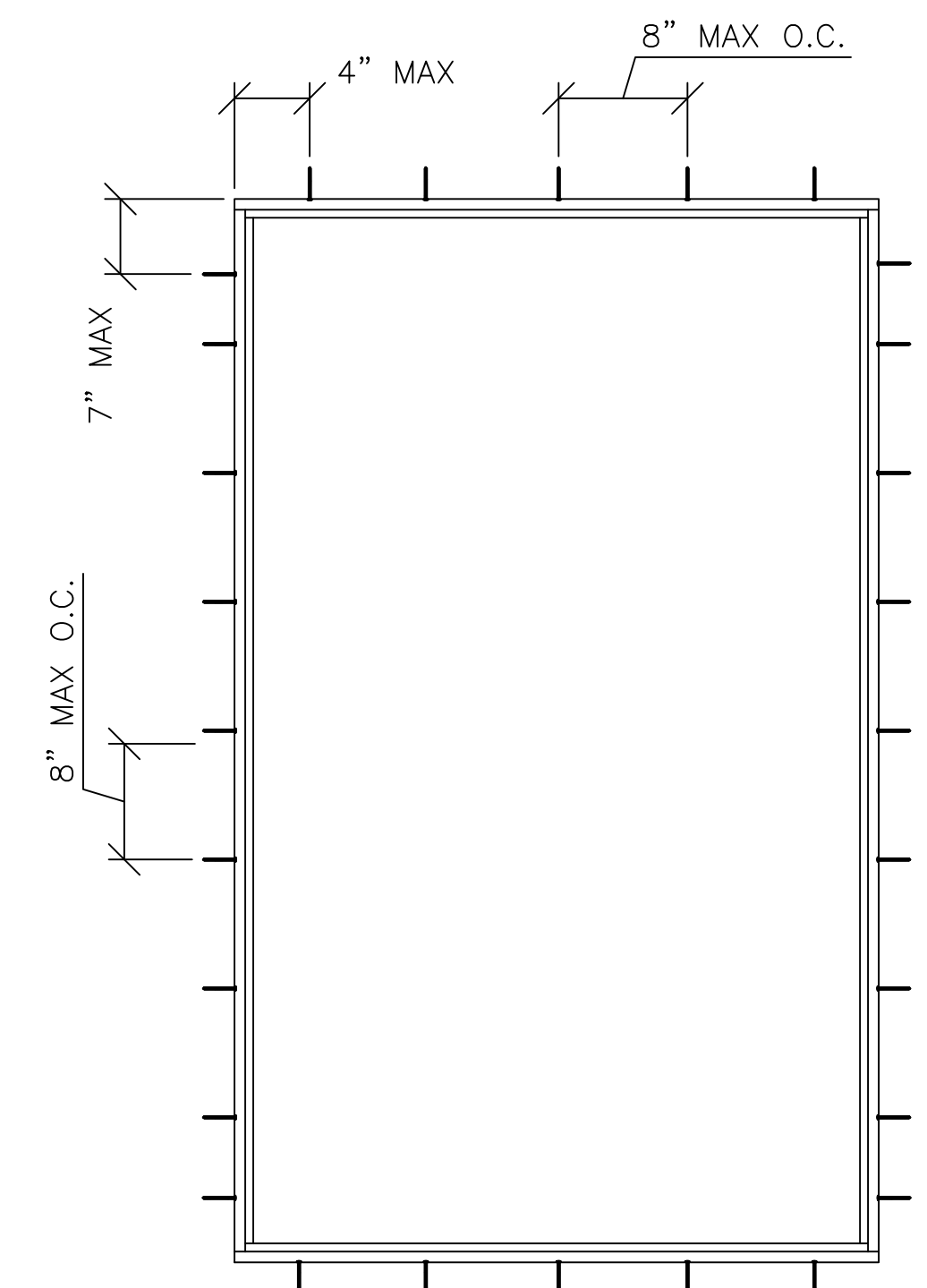
1. THE PRODUCT SHOWN HERIN IS DESIGNED AND MANUFACTURED TO COMPLY WITH THE CURRENT FLORIDA BUILDING CODE (FBC) EXCLUDING HVHZ.
2. ADEQUACY OF THE EXISTING STRUCTURAL CONCRETE/MASONRY AND 2X FRAMING AS A MAIN WIND FORCE RESISTING SYSTEM CAPABLE OF WITHSTANDING AND TRANSFERRING APPLIED PRODUCT LOADS TO THE FOUNDATION IS THE RESPONSIBILITY OF THE ENGINEER OR ARCHITECT OF RECORD FOR THE PROJECT OF INSTALLATION.
3. 1X AND 2X BUCKS (WHEN USED) SHALL BE DESIGNED AND ANCHORED TO PROPERLY TRANSFER ALL LOADS TO THE STRUCTURE. BUCK DESIGN AND INSTALLATION IS THE RESPONSIBILITY OF THE ENGINEER OR ARCHITECT OF RECORD FOR THE PROJECT OF INSTALLATION.
4. THE INSTALLATION DETAILS DESCRIBED HEREIN ARE GENERIC AND MAY NOT REFLECT ACTUAL CONDITIONS FOR A SPECIFIC SITE. IF SITE CONDITIONS CAUSE INSTALLATION TO DEVIATE FROM THE REQUIREMENTS DETAILED HERIN, A LICENSED ENGINEER OR ARCHITECT SHALL PREPARE SITE SPECIFIC DOCUMENTS FOR USE WITH THIS DOCUMENT.
5. APPROVED IMPACT PROTECTIVE SYSTEM **IS REQUIRED** ON THIS PRODUCT IN AREAS REQUIRING IMPACT RESISTANCE.
6. GLASS MEETS THE REQUIREMENTS OF ASTM E1300 GLASS CHARTS.
7. DESIGNATIONS "X" AND "O" STAND FOR THE FOLLOWING:  
 X: OPERABLE PANEL  
 O: FIXED PANEL

**INSTALLATION NOTES:**

1. ONE INSTALLATION ANCHOR IS REQUIRED AT EACH ANCHOR LOCATION SHOWN.
2. THE NUMBER OF INSTALLATION ANCHORS DEPICTED IS THE MINIMUM NUMBER OF ANCHORS TO BE USED FOR THE PRODUCT INSTALLATION.
3. INSTALL INDIVIDUAL INSTALLATION ANCHORS WITHIN A TOLERANCE OF +/-1/2 INCH OF THE DEPICTED LOCATION IN THE ANCHOR LAYOUT DETAIL (I.E., WITHOUT CONSIDERATION OF TOLERANCES). TOLERANCES ARE NOT CUMULATIVE FROM ONE INSTALLATION ANCHOR TO THE NEXT.
4. SHIM AS REQUIRED AT EACH INSTALLATION ANCHOR WITH LOAD BEARING SHIM(S). MAXIMUM ALLOWABLE SHIM STACK TO BE 1/4 INCH. SHIM WHERE SPACE OF 1/16 INCH OR GREATER OCCURS. SHIM(S) SHALL BE CONSTRUCTED OF HIGH DENSITY PLASTIC OR BETTER.
5. FOR INSTALLATION INTO WOOD FRAMING USE #12 WOOD SCREWS OF SUFFICIENT LENGTH TO ACHIEVE 1 1/2 INCH MINIMUM EMBEDMENT INTO WOOD SUBSTRATE.
6. FOR INSTALLATION THROUGH 1X BUCK TO CONCRETE/MASONRY, OR DIRECTLY INTO CONCRETE/MASONRY, USE 3/16 INCH DIAMETER ITW TAPCONS OF SUFFICIENT LENGTH TO ACHIEVE 1 1/4 INCH MINIMUM EMBEDMENT.
7. FOR INSTALLATION INTO STEEL STUD FRAMING USE #12 SELF-TAPPING SCREWS OF SUFFICIENT LENGTH TO ACHIEVE 3 THREADS OF MINIMUM ENGAGEMENT BEYOND STEEL STUD SUBSTRATE.
8. MINIMUM EMBEDMENT AND EDGE DISTANCE EXCLUDE WALL FINISHES, INCLUDING BUT NOT LIMITED TO STUCCO, FOAM, BRICKVENEER, AND SIDING.
9. INSTALLATION ANCHORS AND ASSOCIATED HARDWARE MUST BE MADE OF CORROSION RESISTANT MATERIAL OR HAVE A CORROSION RESISTANT COATING.
10. FOR HOLLOW BLOCK AND GROUT FILLED BLOCK, DO NOT INSTALL INSTALLATION ANCHORS INTO MORTAR JOINTS. EDGE DISTANCE IS MEASURED FROM FREE EDGE OF BLOCK OR EDGE OF MORTAR JOINT INTO FACE OF SHELL OF BLOCK.
11. INSTALLATION ANCHORS SHALL BE INSTALLED IN ACCORDANCE WITH ANCHOR MANUFACTURER'S INSTALLATION INSTRUCTIONS AND ANCHORS SHALL NOT BE USED IN SUBSTRATES WITH STRENGTHS LESS THAN THE MINIMUM STRENGTH SPECIFIED BY THE ANCHOR MANUFACTURER.
12. INSTALLATION ANCHOR CAPACITIES FOR PRODUCTS HERIN ARE BASED ON SUBSTRATE MATERIALS WITH THE FOLLOWING PROPERTIES:
  - A. WOOD - MINIMUM SPECIFIC GRAVITY OF 0.55.
  - B. CONCRETE - MINIMUM COMPRESSIVE STRENGTH OF 3000 PSI.
  - C. MASONRY - STRENGTH CONFORMANCE TO ASTM C-90, GRADE N, TYPE 1 (OR GREATER).
  - D. STEEL - MINIMUM TENSILE YIELD STRENGTH OF 33 KSI. MINIMUM WALL THICKNESS OF 49 MILS. (18 GAUGE)



**EXTERIOR ELEVATION**



**ANCHOR LAYOUT**

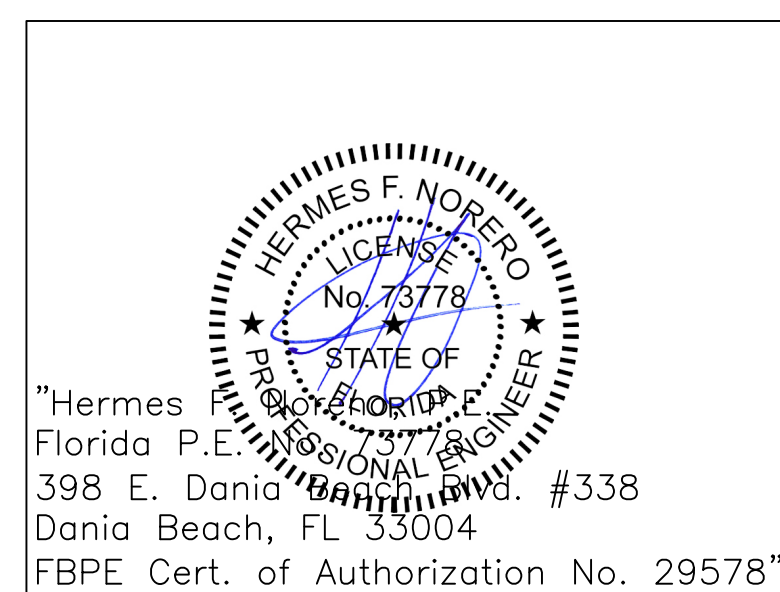
GENERAL NOTES	
SERIES	E2500 FIXED FRAME (1 LITE)
FINISH	ANY
PANELS	NONE
SCREENS	NONE
GLAZING	INSULATED GLASS (TEMPERED)

**CORNER CONSTRUCTION**  
 BUTT, SECURED WITH TWO (2) #8 X 1" PHILLIPS PAN HEAD CAD PLATED TYPE "A" SCREWS AND SEALED WITH SCHNEE-MOREHEAD 5504 SEALANT

**TEST REQUIREMENTS**  
 DESIGN PRESSURE +/- 100 PSF  
 TEST TYPE **STRUCTURAL**

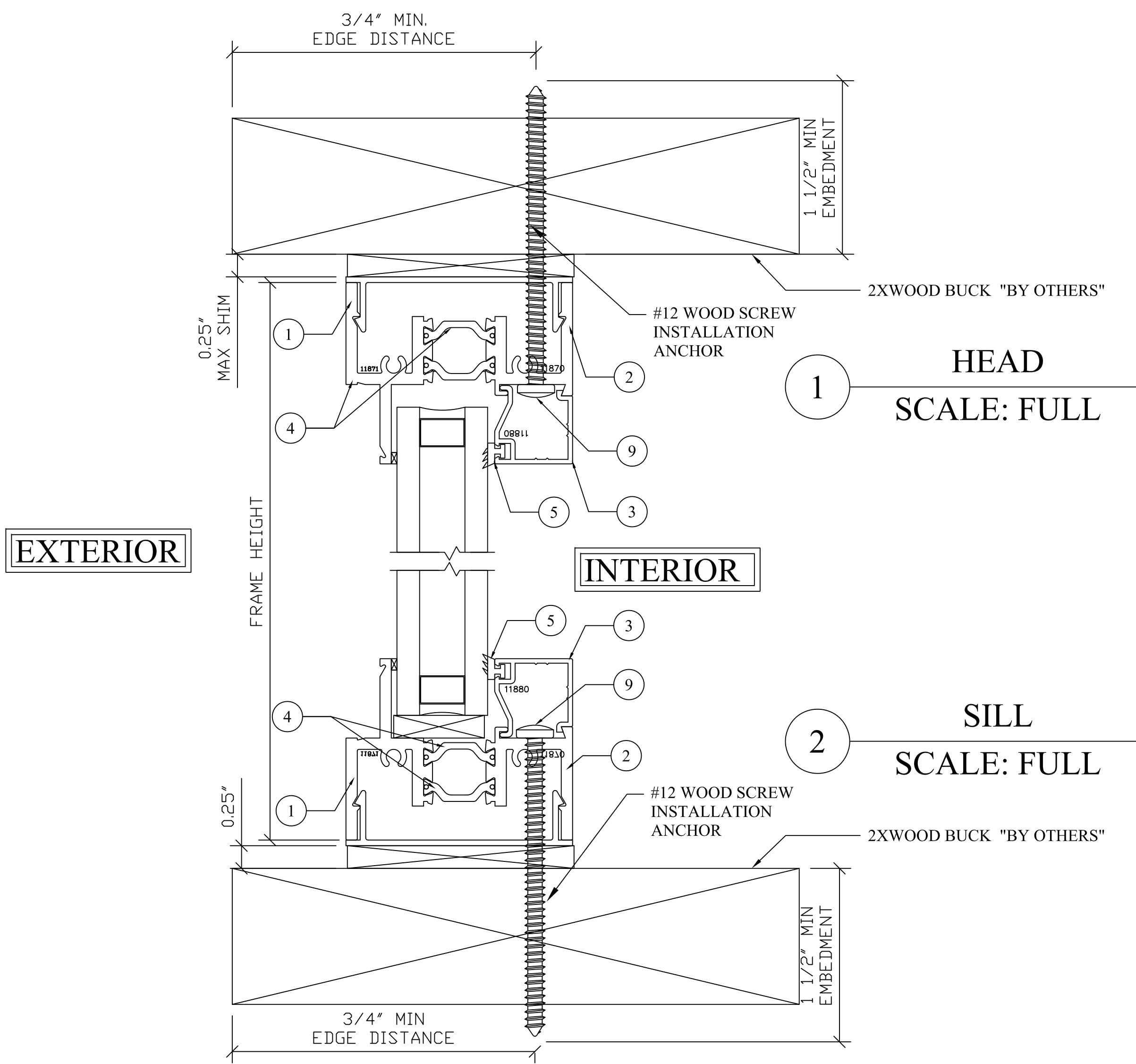
NOTE: DRAWINGS TO SCALE ON 24 X 36 PAPER ONLY

NOTE: DRAWINGS TO SCALE ON 24 X 36 PAPER ONLY



1293 HARVEY MITCHELL PKWY. BRYAN, TX 77803  
 PHONE: (979) 823-6557 FAX: (979) 823-1005

MEMO NO.	8096-10		REVISIONS		SCALE	DETAILS: FULL ELEV: 3/4" = 1"
DESCRIPTION:	A	EDITED DETAILS TO 2010	2/13/14	DRAWN BY:	JKY	
E2500/E3250/E4000 FIXED FRAME ELEVATIONS AW-100	B	ADDED E3250 AND E4000	5/7/14	DATE DRAWN:	10/31/13	
				PAGE NO.	1 OF 6	

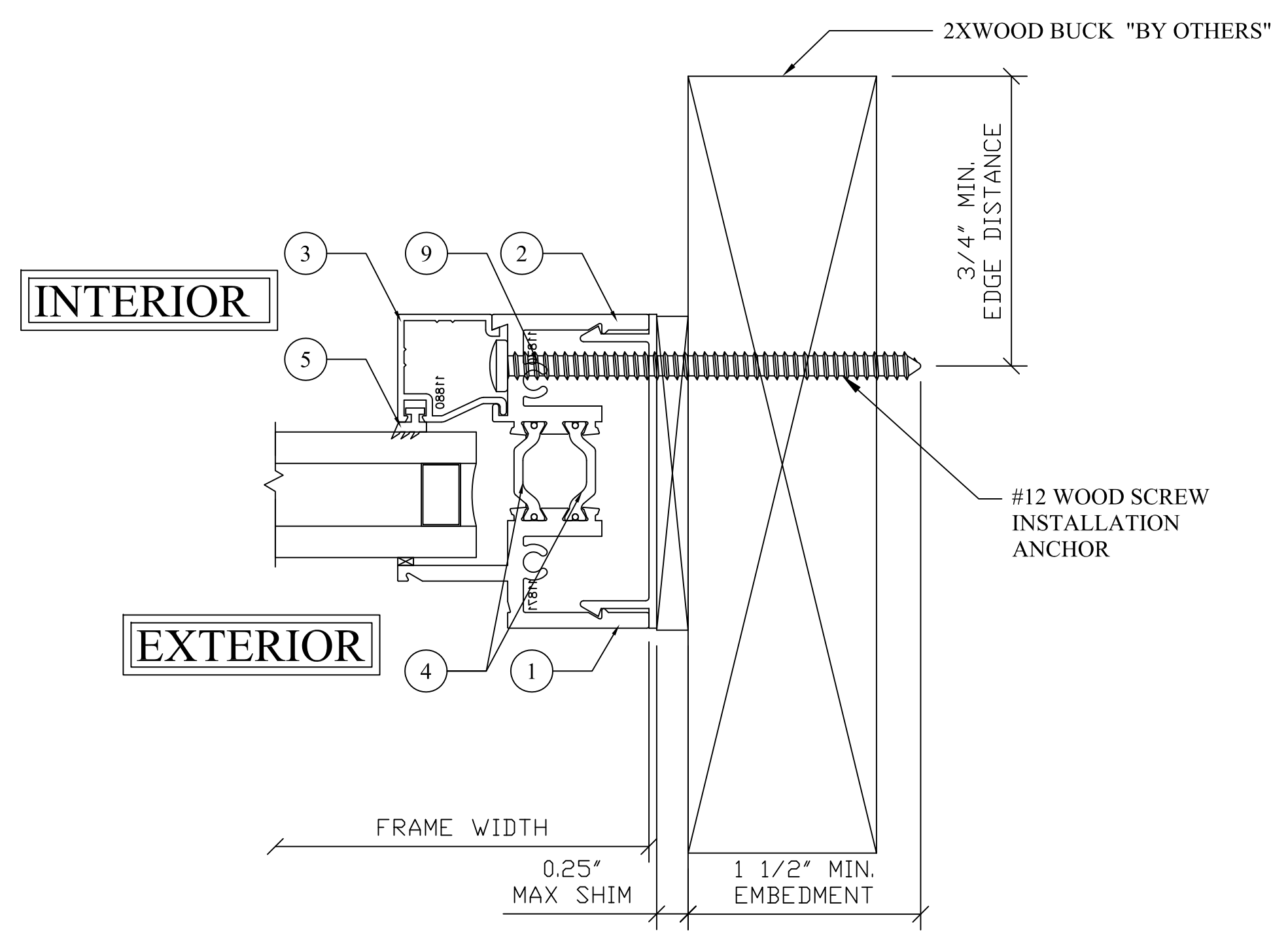


EXTERIOR

INTERIOR

1 HEAD  
SCALE: FULL

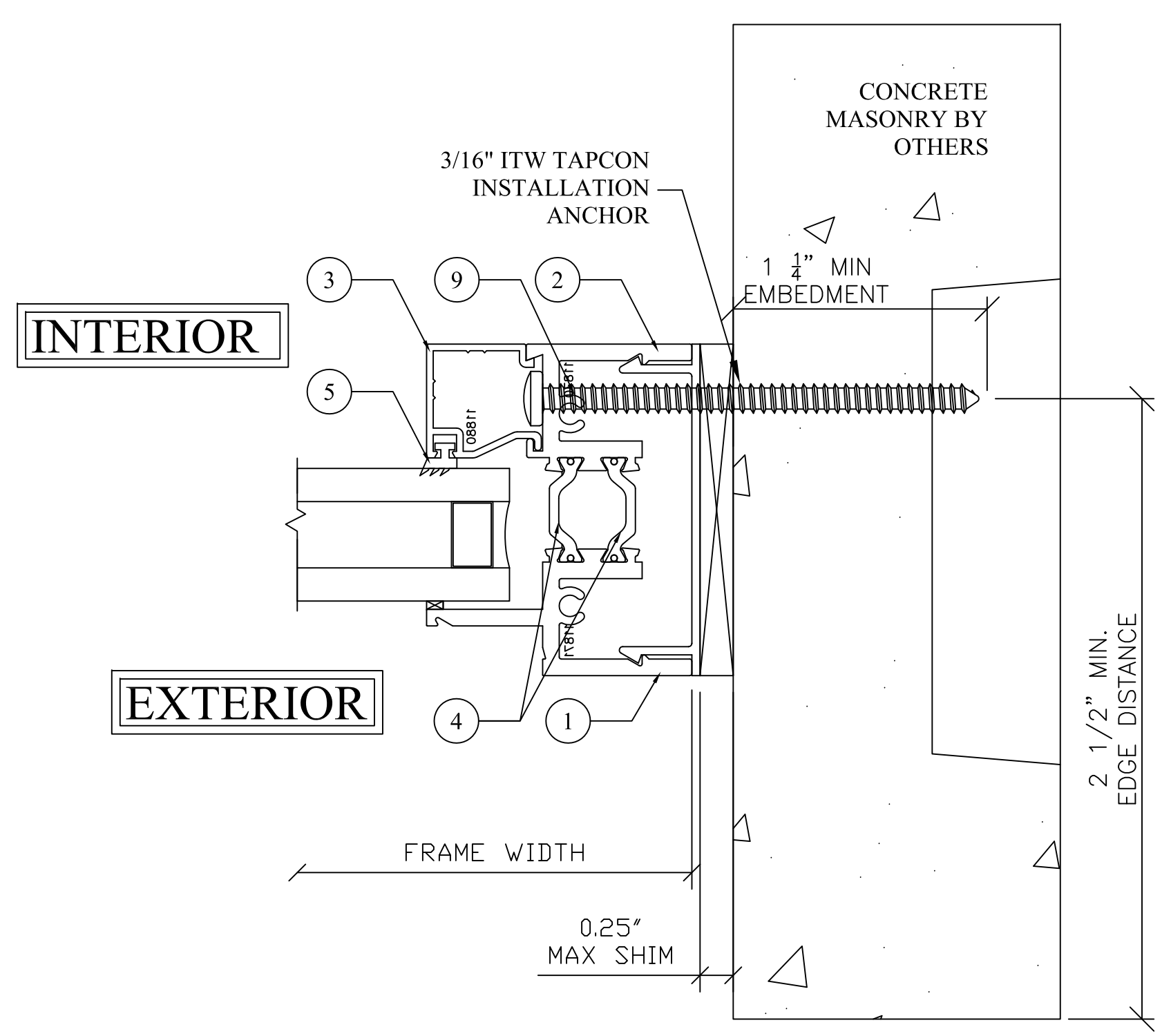
2 SILL  
SCALE: FULL



INTERIOR

EXTERIOR

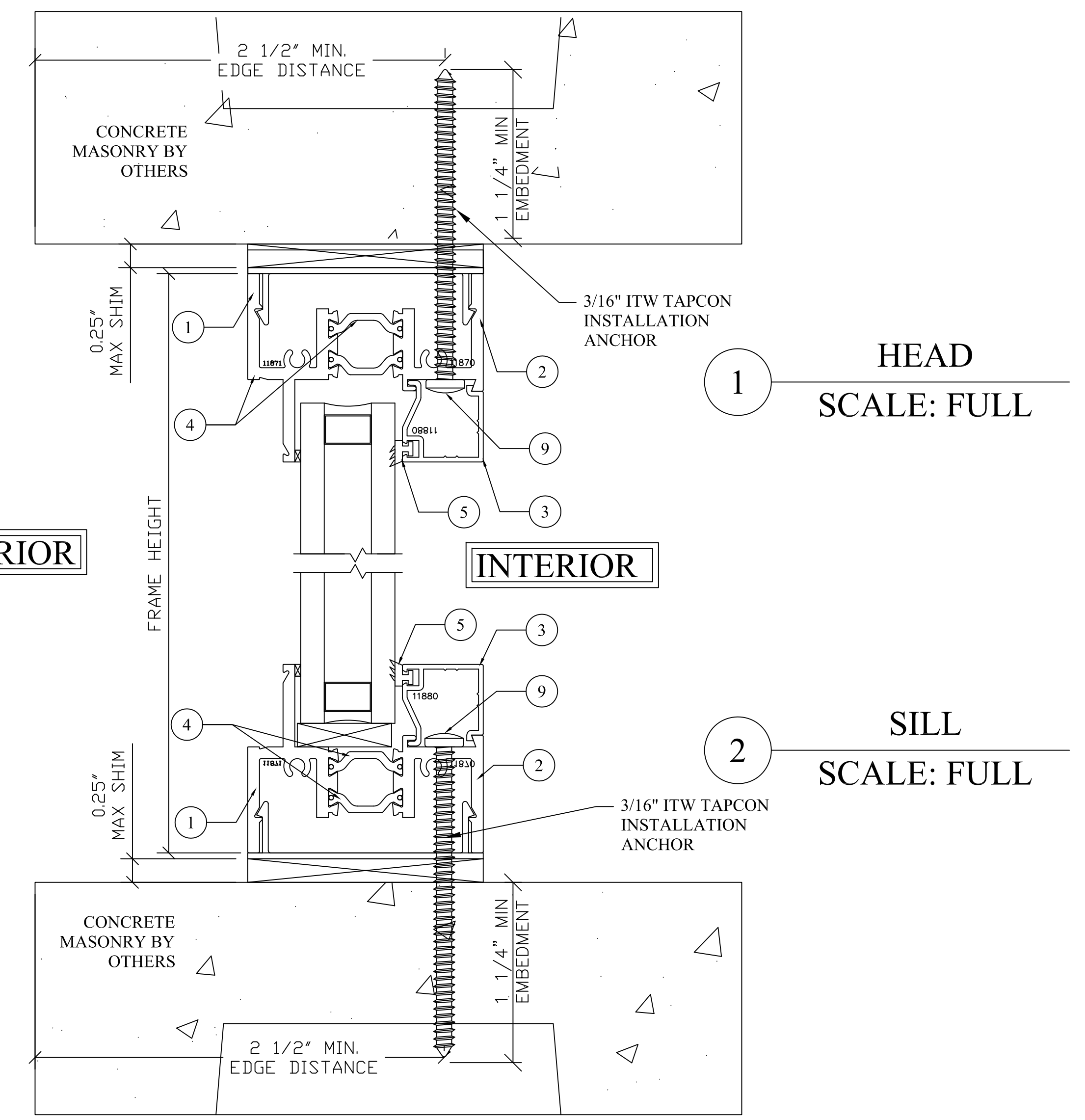
3 JAMB  
SCALE: FULL



INTERIOR

EXTERIOR

3 JAMB  
SCALE: FULL



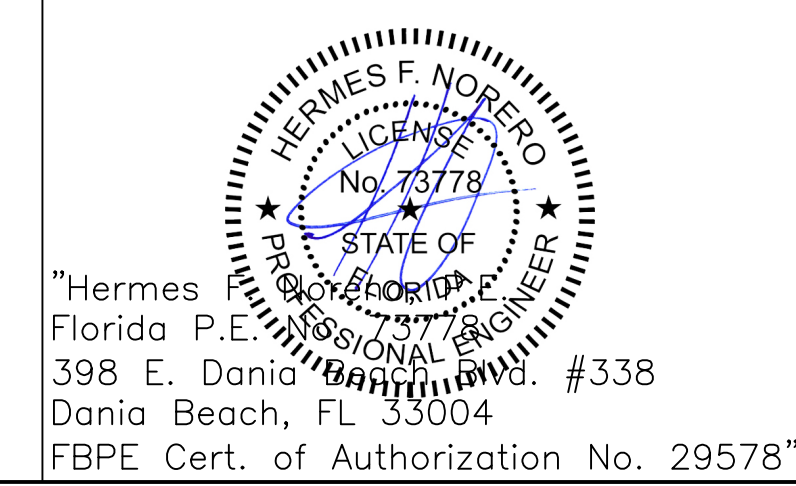
EXTERIOR

INTERIOR

1 HEAD  
SCALE: FULL

2 SILL  
SCALE: FULL

NOTE: DRAWINGS TO SCALE ON 24 X 36 PAPER ONLY

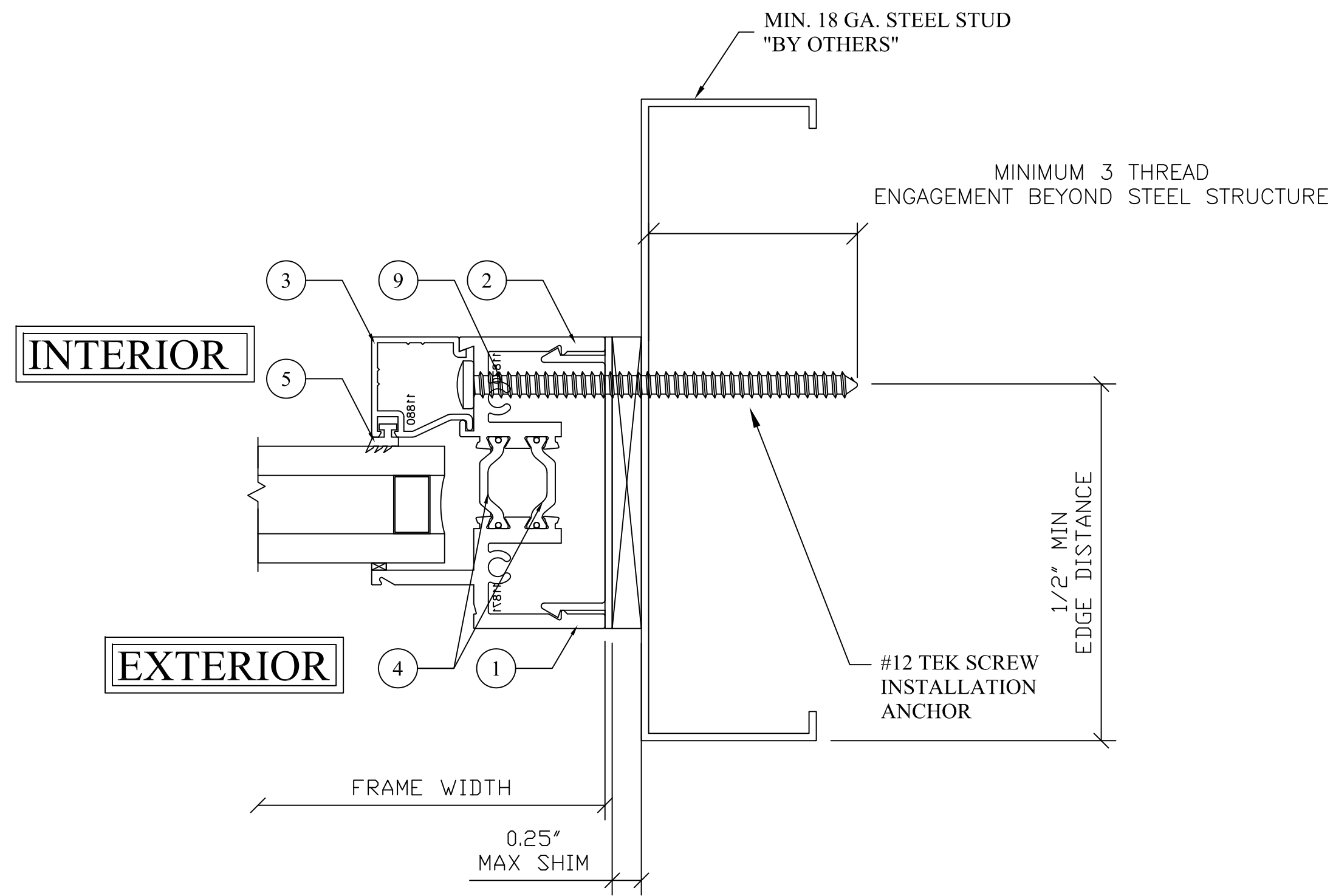
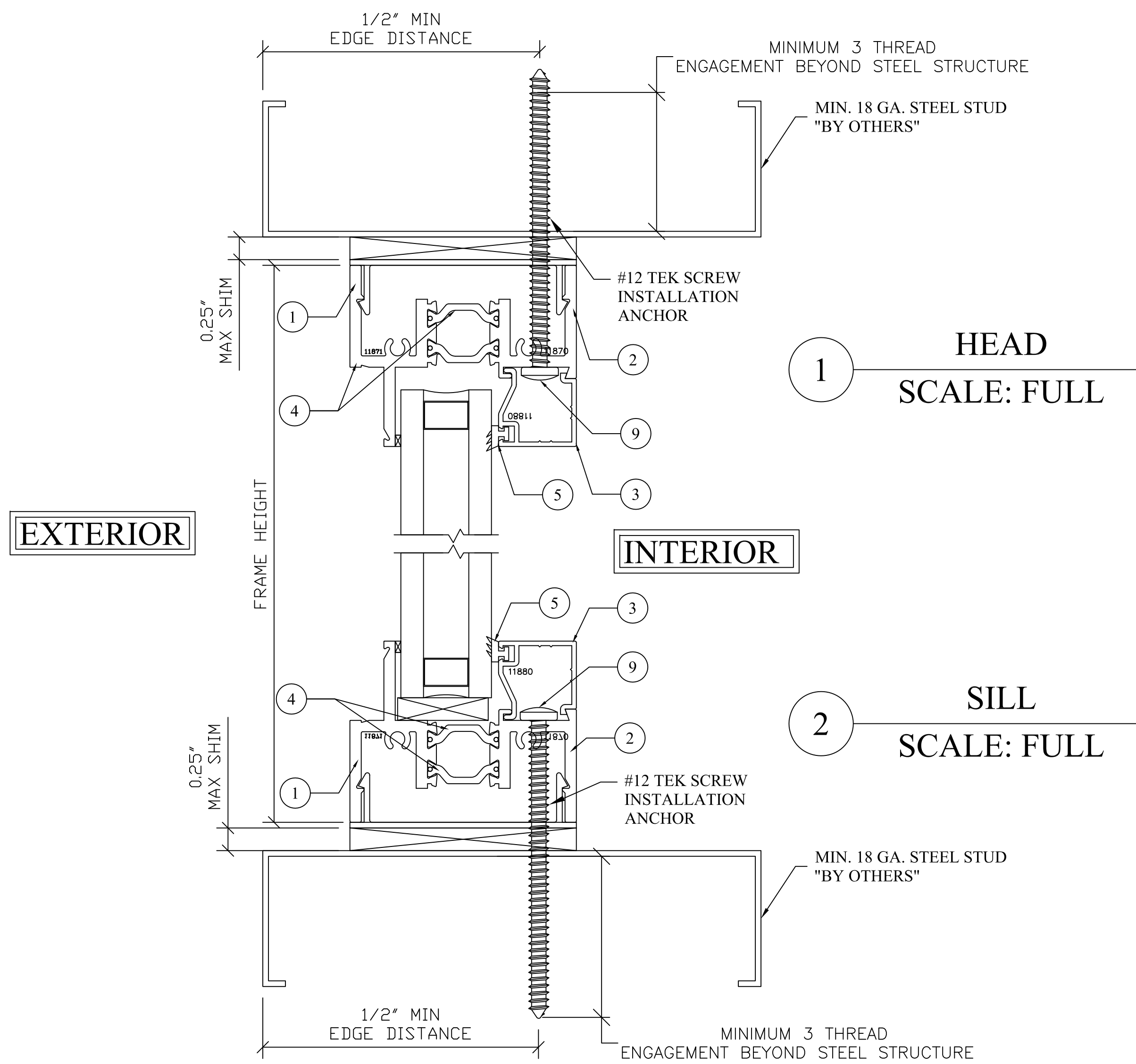


1293 HARVEY MITCHELL PKWY. BRYAN, TX 77803  
PHONE: (979) 823-6557 FAX: (979) 823-1005

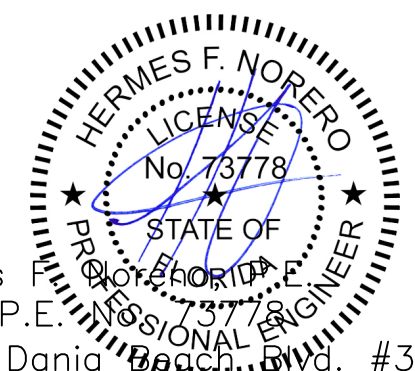
MEMO NO.	8096-10
DESCRIPTION:	E2500/E3250/E4000 FIXED FRAME WOOD AND MASONRY DETAILS

REVISIONS		
A	EDITED DETAILS TO 2010	2/13/14
B	ADDED E3250 AND E4000	5/7/14

SCALE	DETAILS: FULL ELEV: 3/4" = 1"
DRAWN BY:	JKY
DATE DRAWN:	10/31/13
PAGE NO.	2 OF 6



NOTE: DRAWINGS TO SCALE ON 24 X 36 PAPER ONLY

  
 "Hermes F. Noreiro"  
 Florida P.E.  
 398 E. Dania Blvd. #338  
 Dania Beach, FL 33004  
 FBPE Cert. of Authorization No. 29578"

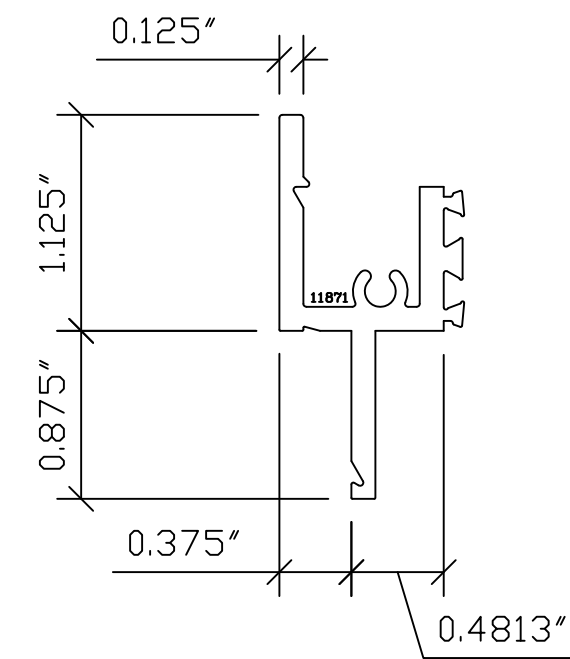
  
**ALL SEASONS**  
 COMMERCIAL DIV.

1293 HARVEY MITCHELL PKWY. PHONE: (979) 823-6557  
 BRYAN, TX 77803 FAX: (979) 823-1005

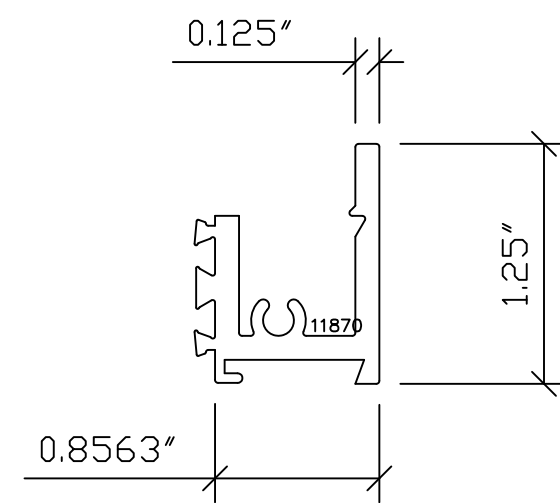
MEMO NO. 8096-10  
 DESCRIPTION:  
 E2500/E3250/E4000 FIXED FRAME  
 STEEL DETAILS

REVISIONS		
A	EDITED DETAILS TO 2010	2/13/14
B	ADDED E3250 AND E4000	

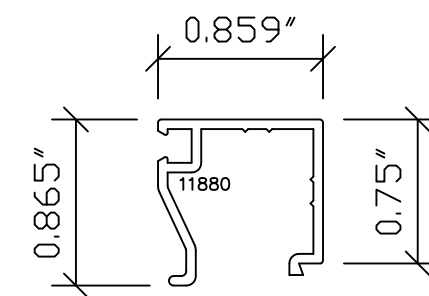
SCALE DETAILS: FULL  
 ELEV: 3/4" = 1"  
 DRAWN BY: JKY  
 DATE DRAWN: 10/31/13  
 PAGE NO. 3 OF 6



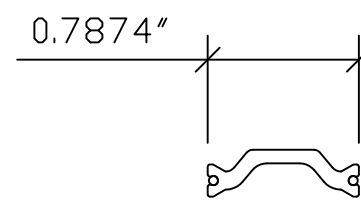
① FRAME EXTERIOR



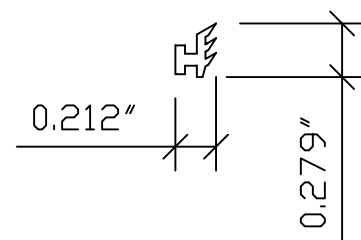
② FRAME INTERIOR



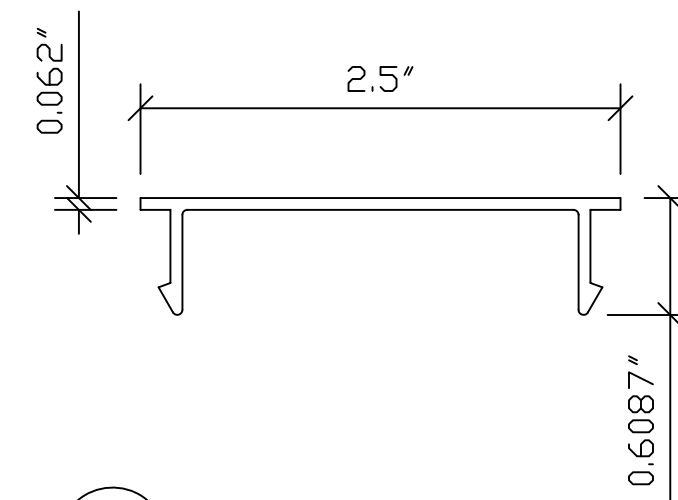
③ GLAZING BEAD



④ 20mm STRUT



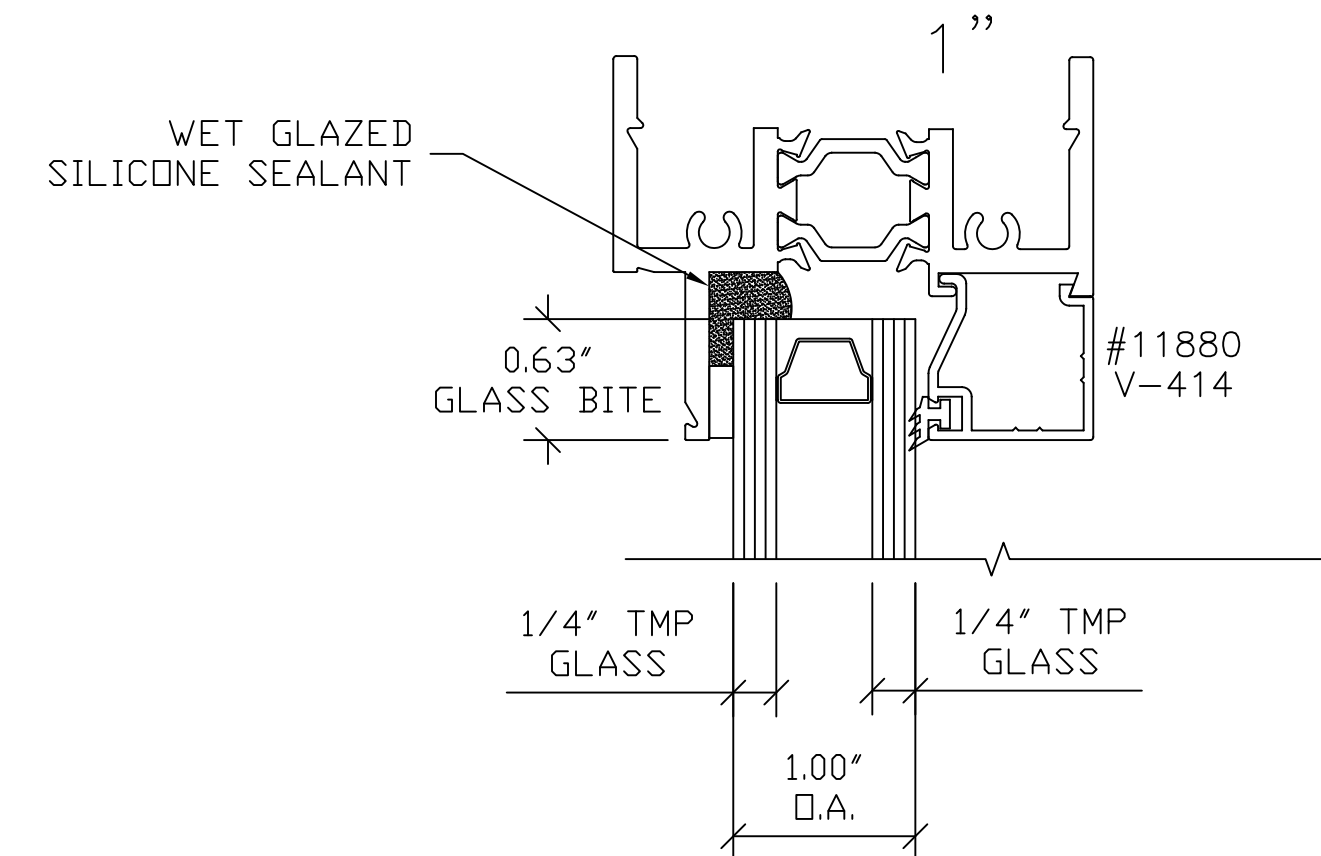
⑤ GLAZING VINYL



⑨ SHEAR CLIP  
ALUMINUM 6063-T5

ITEM#	PART#	ITEM DESCRIPTION	MANUFACTURER/NOTES
WINDOW PARTS			
1	11871	FRAME EXTERIOR	6063-T5 ALUMINUM
2	11870	FRAME INTERIOR	6063-T5 ALUMINUM
3	11880	GLAZING BEAD	6063-T5 ALUMINUM
4	66108802	20mm THERMAL STRUT	ENSINGER
5	V-414	GLAZING VINYL	SOFT PVC
9		SHEAR CLIP	6063-T5 ALUMINUM
SEALS & SEALANT			
6	----	SEAM SEALANT	SCHNEE MOREHEAD 5504
MISC. FASTENERS			
7	66103392	8-15 X 1" PH PN HD CAD	FRAME ASSEMBLY SCREW
8	----	#10 X 3" PH PN HD	INSTALLATION ANCHOR

**GLAZING DETAIL:**



NOTE: "GLASS TYPE AND THICKNESS MAY VARY ACCORDING TO THE ASTM E1300-04 GLASS CHART REQUIREMENTS"

NOTE: DRAWINGS TO SCALE ON 24 X 36 PAPER ONLY

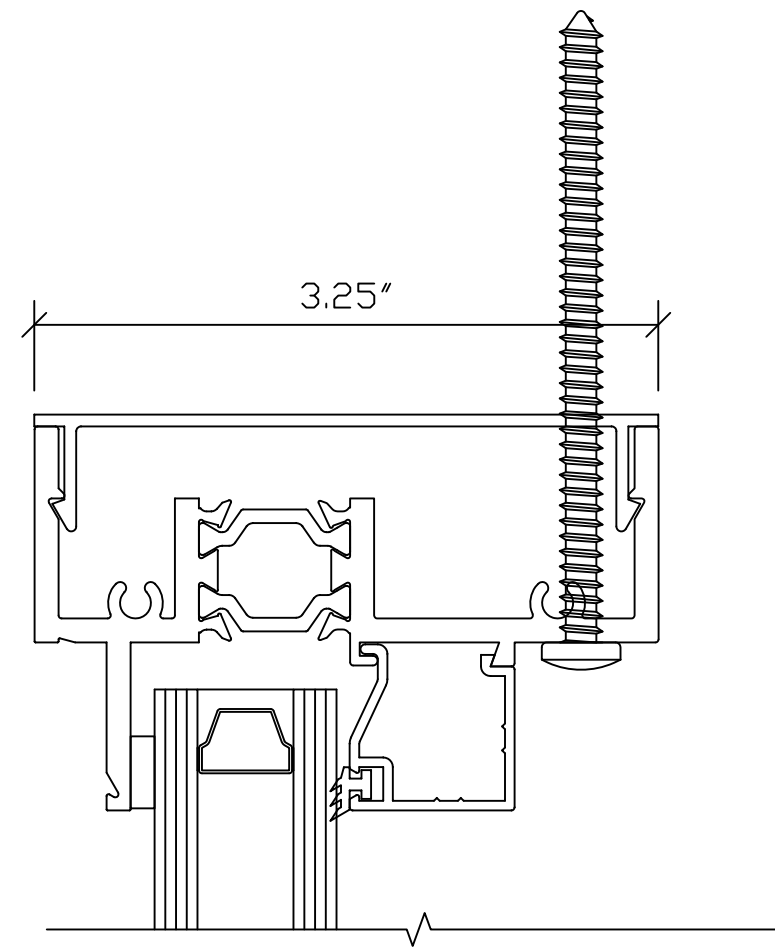
Hermes F. Noreiro  
Florida P.E.  
398 E. Dania Beach Blvd. #338  
Dania Beach, FL 33004  
FBPE Cert. of Authorization No. 29578

**ALL SEASONS**  
COMMERCIAL DIV.  
1293 HARVEY MITCHELL PKWY.  
BRYAN, TX 77803  
PHONE: (979) 823-6557  
FAX: (979) 823-1005

MEMO NO. 8096-10  
DESCRIPTION:  
**E2500 FIXED FRAME BOM**

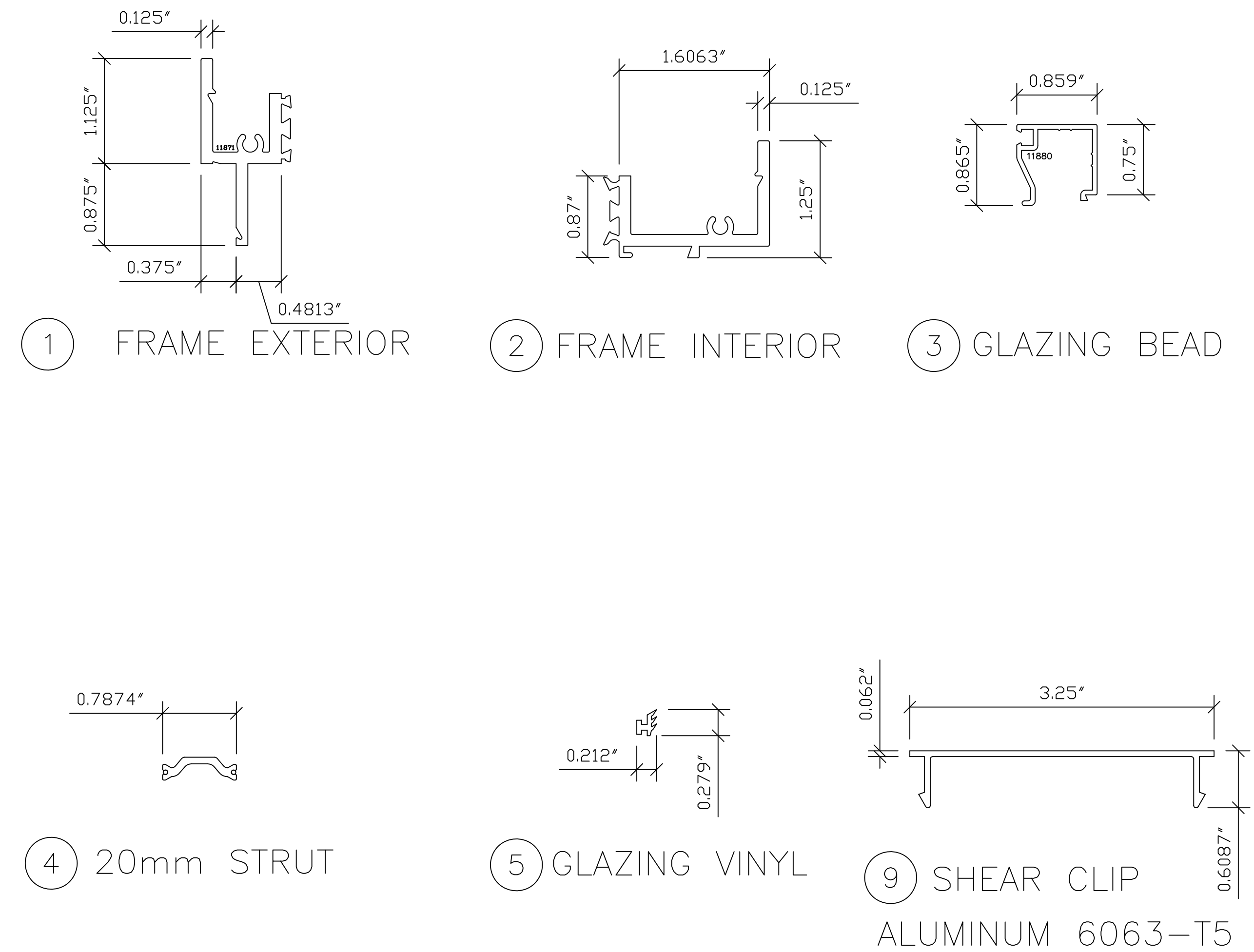
REVISIONS		
A	EDITED DETAILS TO 2010	2/13/14
B	ADDED E3250 ND E4000	5/7/14

SCALE: DETAILS: FULL ELEV: 3/4" = 1"  
DRAWN BY: JKY  
DATE DRAWN: 10/31/13  
PAGE NO. 4 OF 6



E3250 - 3 1/4" Frame window installation anchor placement shown. Reference previous pages for anchor type and spacing based on substrate installed into.

ITEM#	PART#	ITEM DESCRIPTION	MANUFACTURER/NOTES
WINDOW PARTS			
1	11871	FRAME EXTERIOR	6063-T5 ALUMINUM
2	12054	FRAME INTERIOR	6063-T5 ALUMINUM
3	11880	GLAZING BEAD	6063-T5 ALUMINUM
4	66108802	20mm THERMAL STRUT	ENSINGER
5	V-414	GLAZING VINYL	SOFT PVC
9		SHEAR CLIP	6063-T5 ALUMINUM
SEALS & SEALANT			
6	----	SEAM SEALANT	SCHNEE MOREHEAD 5504
MISC. FASTENERS			
7	66103392	8-15 X 1" PH PN HD CAD	FRAME ASSEMBLY SCREW
8	----	#10 X 3" PH PN HD	INSTALLATION ANCHOR



NOTE: DRAWINGS TO SCALE ON 24 X 36 PAPER ONLY

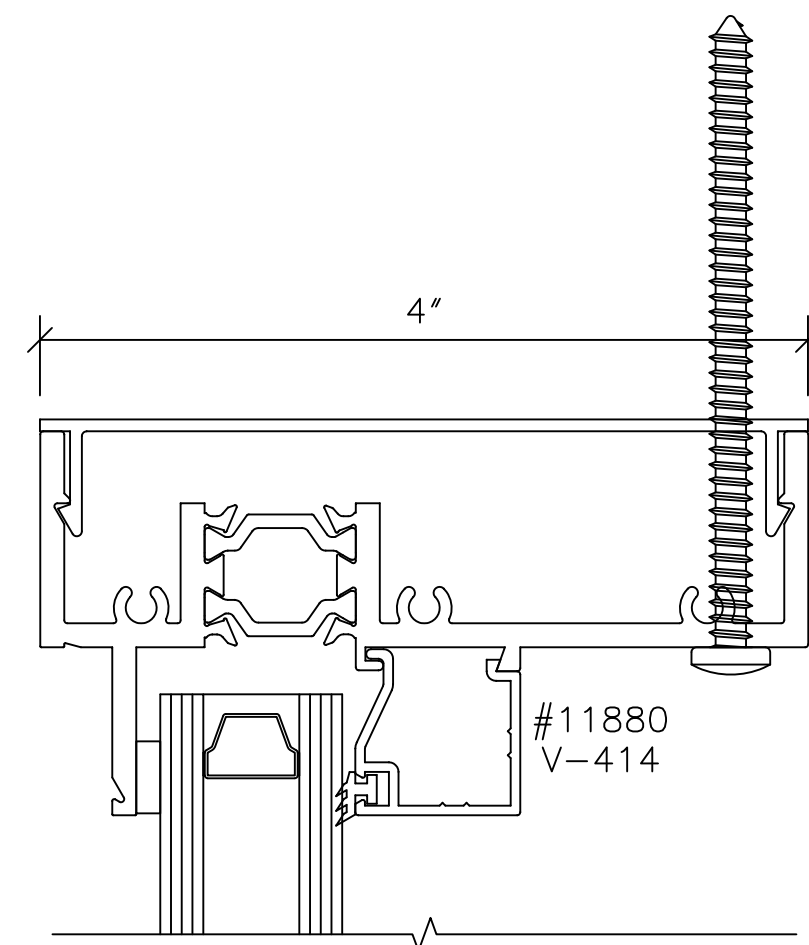
Hermes F. Noreiro  
 Florida P.E. License No. 73778  
 State of Florida Professional Engineer  
 398 E. Dania Beach Blvd. #338  
 Dania Beach, FL 33004  
 FBPE Cert. of Authorization No. 29578"

**ALL SEASONS**  
**COMMERCIAL DIV.**  
 1293 HARVEY MITCHELL PKWY.  
 BRYAN, TX 77803  
 PHONE: (979) 823-6557  
 FAX: (979) 823-1005

MEMO NO. 8096-10  
 DESCRIPTION:  
**E3250 FIXED FRAME**  
**BOM**

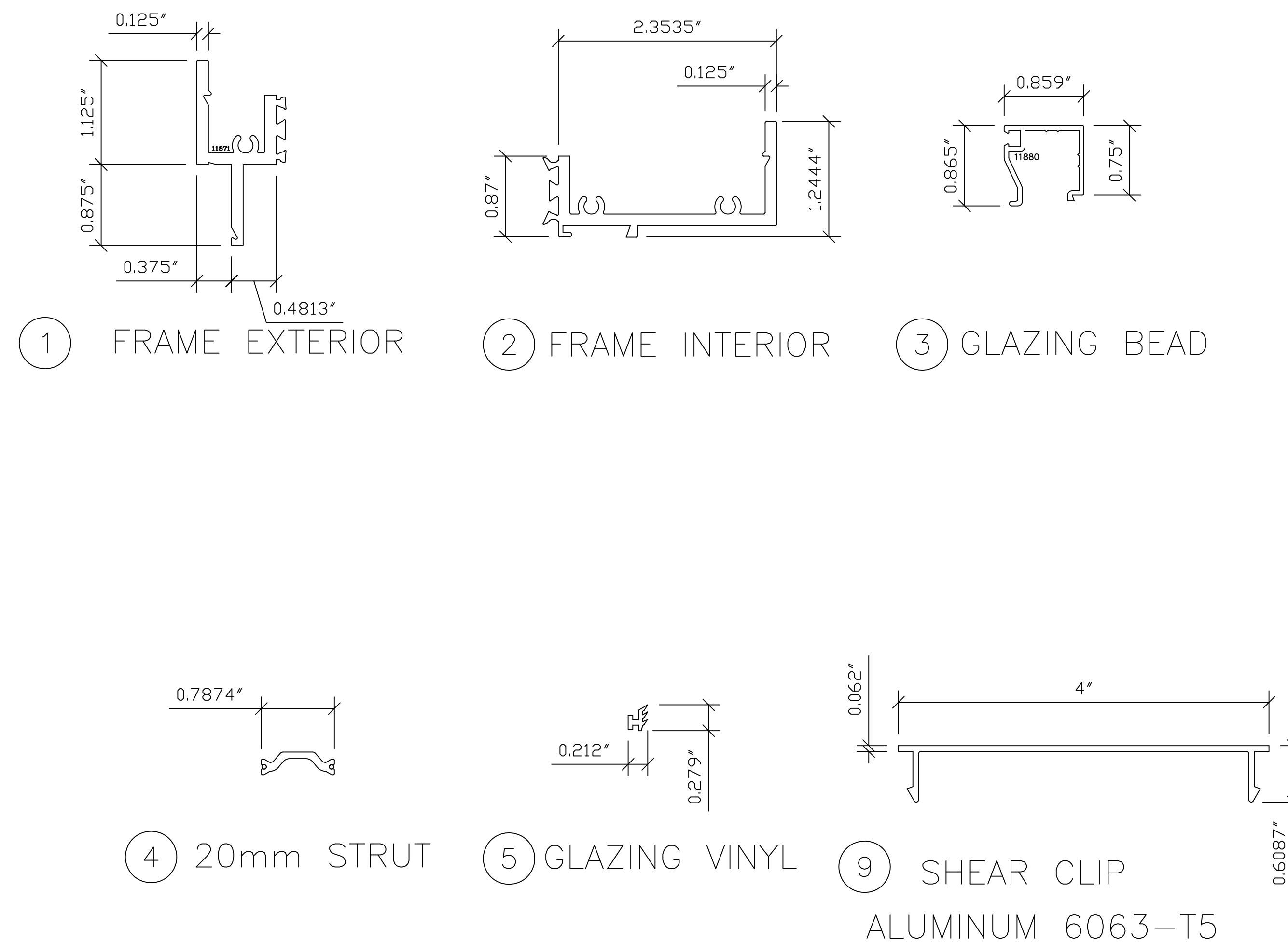
REVISIONS		
A	EDITED DETAILS TO 2010	2/13/14
B	ADDED E3250 AND E4000	5/7/14

SCALE: DETAILS: FULL ELEV: 3/4" = 1"  
 DRAWN BY: JKY  
 DATE DRAWN: 10/31/13  
 PAGE NO. **5** OF **6**



E4000 - 4" Frame window installation anchor placement shown. Reference previous pages for anchor type and spacing based on substrate installed into.

ITEM#	PART#	ITEM DESCRIPTION	MANUFACTURER/NOTES
WINDOW PARTS			
1	11871	FRAME EXTERIOR	6063-T5 ALUMINUM
2	12028	FRAME INTERIOR	6063-T5 ALUMINUM
3	11880	GLAZING BEAD	6063-T5 ALUMINUM
4	66108802	20mm THERMAL STRUT	ENSINGER
5	V-414	GLAZING VINYL	SOFT PVC
9		SHEAR CLIP	6063-T5 ALUMINUM
SEALS & SEALANT			
6	----	SEAM SEALANT	SCHNEE MOREHEAD 5504
MISC. FASTENERS			
7	66103392	8-15 X 1" PH PN HD CAD	FRAME ASSEMBLY SCREW
8	----	#10 X 3" PH PN HD	INSTALLATION ANCHOR



NOTE: DRAWINGS TO SCALE ON 24 X 36 PAPER ONLY

Hermes F. Norepo  
Florida P.E. License No. 73778  
398 E. Dania Beach Blvd. #338  
Dania Beach, FL 33004  
FBPE Cert. of Authorization No. 29578

**ALL SEASONS**  
COMMERCIAL DIV.

1293 HARVEY MITCHELL PKWY.  
BRYAN, TX 77803

PHONE: (979) 823-6557  
FAX: (979) 823-1005

MEMO NO. 8096-10

DESCRIPTION:  
**E4000 FIXED FRAME**  
**BOM**

REVISIONS		
A	EDITED DETAILS TO 2010	2/13/14
B	ADDED E3250 AND E4000	5/7/14

SCALE: DETAILS: FULL ELEV: 3/4" = 1"

DRAWN BY: JKY

DATE DRAWN: 10/31/13

PAGE NO. **6 OF 6**