

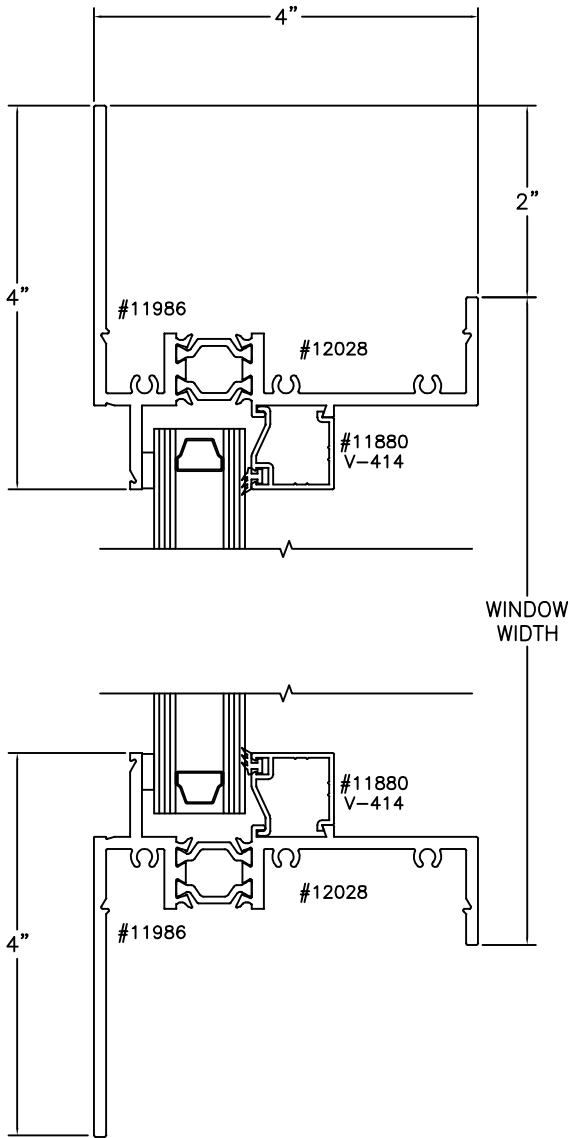
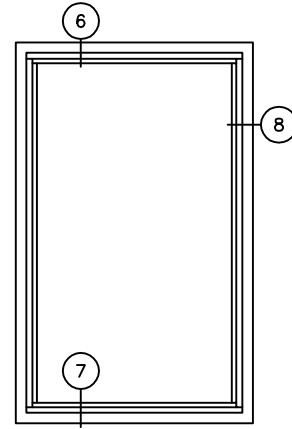
ALL SEASONS
ARCHITECTURAL WINDOWS MFG.

1293 N. Harvey Mitchell Pkwy.
Phone: (979) 823-6557
Fax: (979) 823-1005

IMPACT:	NO	COMPATIBLE SERIES:	
BLAST:	NO	E4000PO	
TDI NO:	WIN-2011	E4000COS	
FLORIDA NO:			
	FL17121		

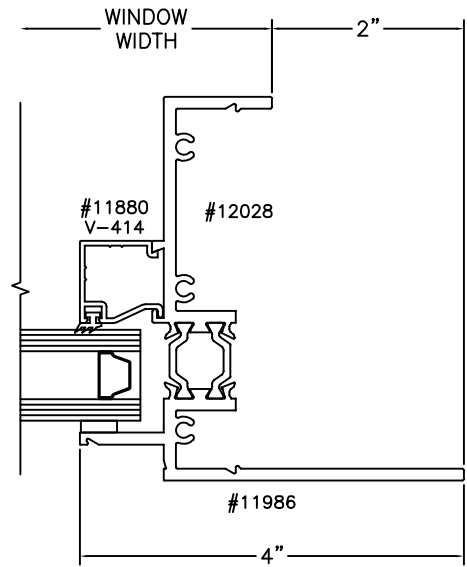
FAMILY:	E4000	SCALE:	1:2	REVISION:	A
DESCRIPTION:	E4000 FIXED FRAME CROSS SECTIONS				
THIS DRAWING CONTAINS CONFIDENTIAL INFORMATION WHICH IS THE PROPERTY OF ALL SEASONS. RECEIPT OR POSSESSION OF REPRODUCTIONS OF THIS DRAWING OR POSSESSION OF REPRODUCTIONS OF THIS DRAWING DOES NOT CONFER ANY RIGHTS OR LICENSE TO USE INFORMATION CONTAINED HEREIN WITHOUT THE WRITTEN CONSENT OF ALL SEASONS.					
DRAWN BY:	T.Jobb	DATE DRAWN:	1/27/14	SHEET SIZE:	A

SHEET NUMBER
1
OF
3



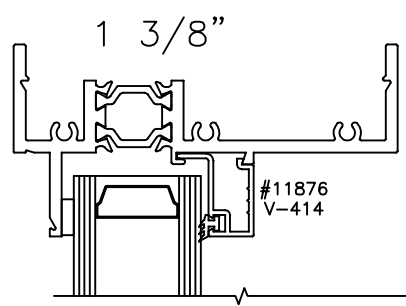
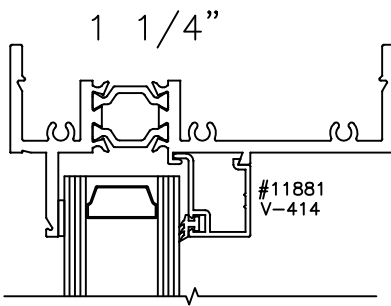
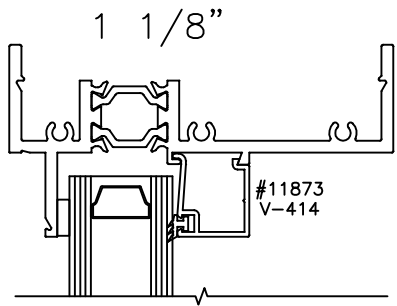
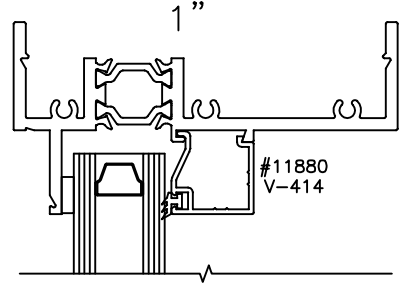
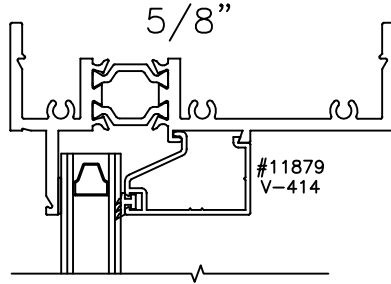
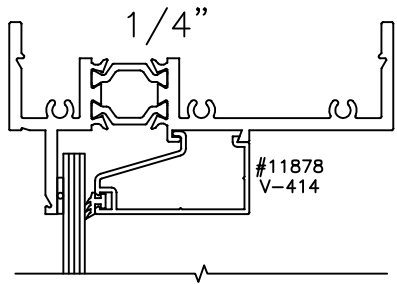
6

7

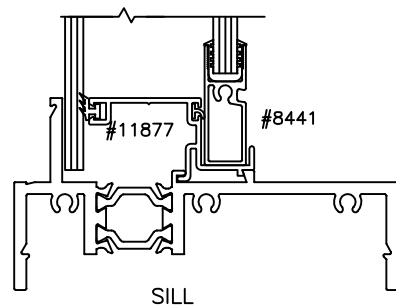
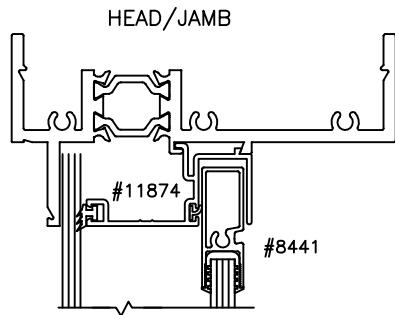


8

<p>1293 N. Harvey Mitchell Pkwy. Phone: (979) 823-6557 Fax: (979) 823-1005</p>	IMPACT:	NO	COMPATIBLE SERIES:	FAMILY: E4000	SCALE: 1:2	REVISION: A	SHEET NUMBER
	BLAST:	NO	E4000PO	DESCRIPTION: E4000 FIXED FRAME FRONT FLANGE CROSS SECTIONS			
	TDI NO:	WIN-2011	E4000COS				
	FLORIDA NO:	FL17121					THIS DRAWING CONTAINS CONFIDENTIAL INFORMATION WHICH IS THE PROPERTY OF ALL SEASONS. RECEIPT OR POSSESSION OF REPRODUCTIONS OF THIS DRAWING OR POSSESSION OF REPRODUCTIONS OF THIS DRAWING DOES NOT CONFER ANY RIGHTS OR LICENSE TO USE INFORMATION CONTAINED HEREIN WITHOUT THE WRITTEN CONSENT OF ALL SEASONS.
					DRAWN BY: T.JOBB	DATE DRAWN: 1/27/14	SHEET SIZE: A



LIFT OUT SPLIT SASH



ALL SEASONS
 ARCHITECTURAL WINDOWS MFG.
 1293 N. Harvey Mitchell Pkwy.
 Phone: (979) 823-6557
 Fax: (979) 823-1005

IMPACT:	NO	COMPATIBLE SERIES:	FAMILY:	E4000	SCALE:	1:2	REVISION:	A	SHEET NUMBER
BLAST:	NO	E4000PO	DESCRIPTION:	E4000 FIXED FRAME NON-IMPACT GLAZING DETAILS					
TDI NO:	WIN-2011	E4000COS	THIS DRAWING CONTAINS CONFIDENTIAL INFORMATION WHICH IS THE PROPERTY OF ALL SEASONS. RECEIPT OR POSSESSION OF REPRODUCTIONS OF THIS DRAWING OR POSSESSION OF REPRODUCTIONS OF THIS DRAWING DOES NOT CONFER ANY RIGHTS OR LICENSE TO USE INFORMATION CONTAINED HEREIN WITHOUT THE WRITTEN CONSENT OF ALL SEASONS.						
FLORIDA NO:	FL17121								

3
OF
3