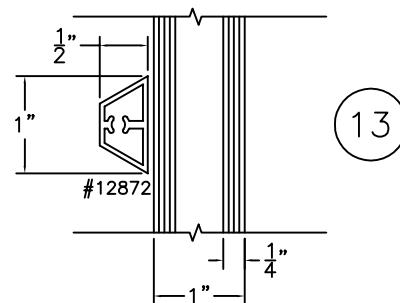
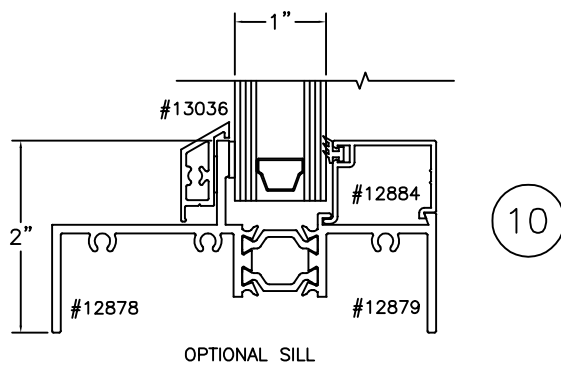
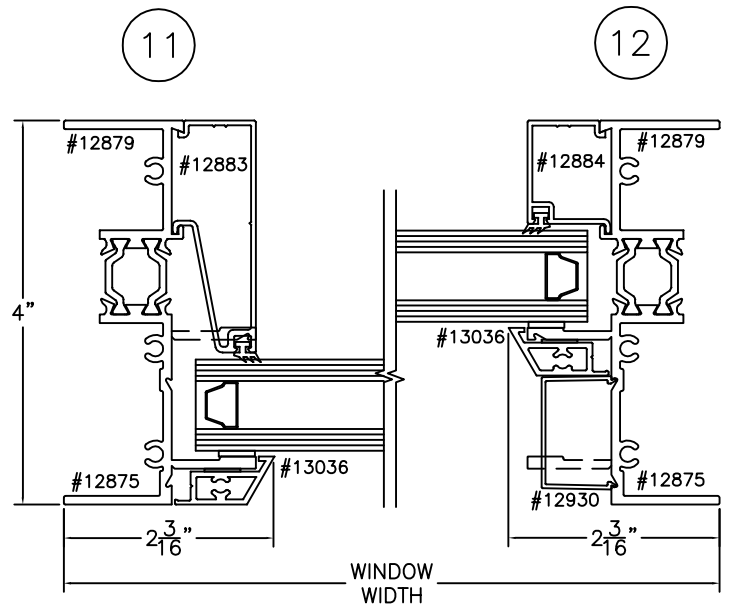
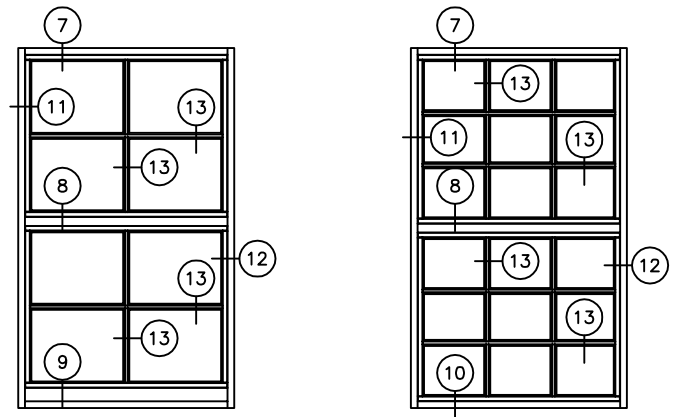
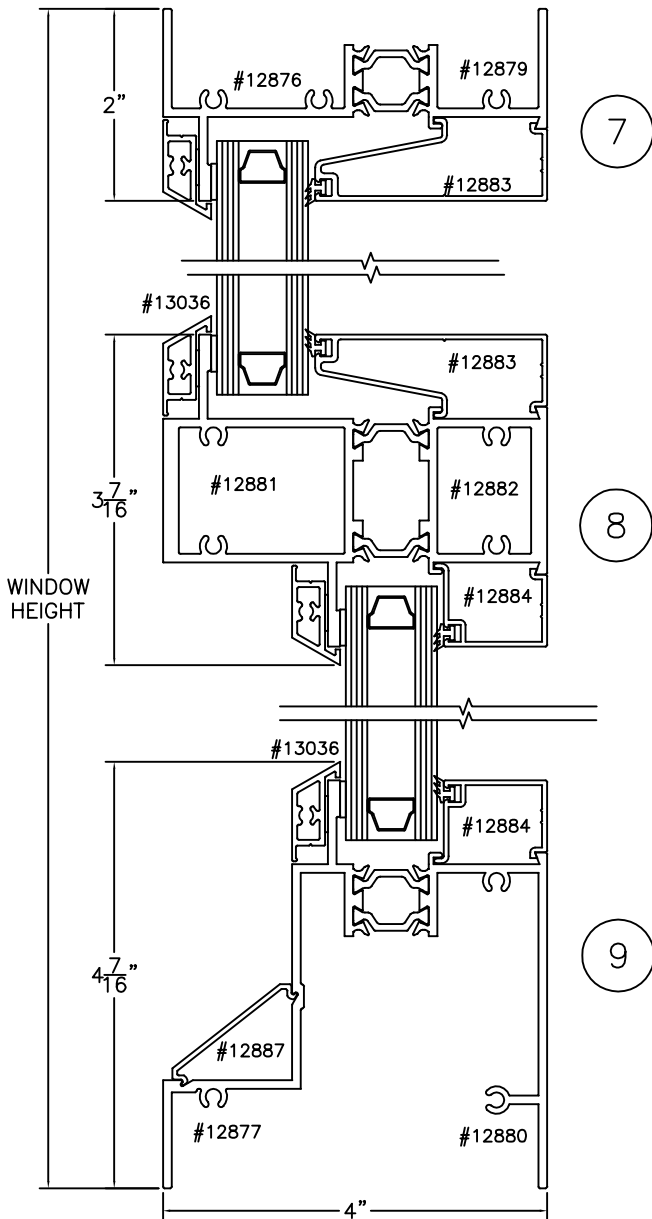


ALL SEASONS
 ARCHITECTURAL WINDOWS MFG.
 1293 N. Harvey Mitchell Pkwy.
 Phone: (979) 823-6557
 Fax: (979) 823-1005

IMPACT:	NO	COMPATIBLE SERIES:	E4000	SCALE:	1:2	REVISION:	A	SHEET NUMBER
BLAST:	NO	E4000FF	DESCRIPTION: E4000 FIXED FRAME OFFSET CROSS SECTIONS					
TDI NO:	E4000COS							
FLORIDA NO:	E4000PO							
THIS DRAWING CONTAINS CONFIDENTIAL INFORMATION WHICH IS THE PROPERTY OF ALL SEASONS. RECEIPT OR POSSESSION OF REPRODUCTIONS OF THIS DRAWING OR POSSESSION OF REPRODUCTIONS OF THIS DRAWING DOES NOT CONFER ANY RIGHTS OR LICENSE TO USE INFORMATION CONTAINED HEREIN WITHOUT THE WRITTEN CONSENT OF ALL SEASONS.			DRAWN BY:	T.Jobb	DATE DRAWN:	2/24/14	SHEET SIZE:	A
								1 OF 3

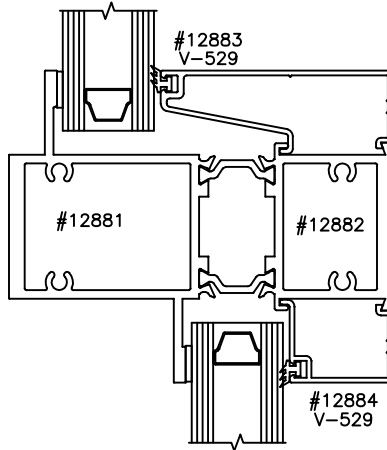


ALL SEASONS
 ARCHITECTURAL WINDOWS MFG.
 1293 N. Harvey Mitchell Pkwy.
 Phone: (979) 823-6557
 Fax: (979) 823-1005

IMPACT:	NO	COMPATIBLE SERIES:	E4000
BLAST:	NO	TDI NO:	E4000OFF
		FLORIDA NO:	E4000COS
			E4000PO

FAMILY:	E4000	SCALE:	1:2	REVISION:	A
DESCRIPTION:	E4000 FIXED FRAME OFFSET CROSS SECTIONS WITH EXT. GRIDS				
THIS DRAWING CONTAINS CONFIDENTIAL INFORMATION WHICH IS THE PROPERTY OF ALL SEASONS. RECEIPT OR POSSESSION OF REPRODUCTIONS OF THIS DRAWING OR POSSESSION OF REPRODUCTIONS OF THIS DRAWING DOES NOT CONFER ANY RIGHTS OR LICENSE TO USE INFORMATION CONTAINED HEREIN WITHOUT THE WRITTEN CONSENT OF ALL SEASONS.					
DRAWN BY:	T.Jobb	DATE DRAWN:	2/24/14	SHEET SIZE:	A

SHEET NUMBER
 2
 OF
 3



ALL SEASONS
 ARCHITECTURAL WINDOWS MFG.
 1293 N. Harvey Mitchell Pkwy.
 Phone: (979) 823-6557
 Fax: (979) 823-1005

IMPACT:	NO	COMPATIBLE SERIES:	FAMILY: E4000	SCALE: 1:2	REVISION: A	SHEET NUMBER
BLAST:	NO	E4000FF	DESCRIPTION: E4000 FIXED FRAME OFFSET GLAZING DETAILS			
TDI NO:		E4000COS				THIS DRAWING CONTAINS CONFIDENTIAL INFORMATION WHICH IS THE PROPERTY OF ALL SEASONS. RECEIPT OR POSSESSION OF REPRODUCTIONS OF THIS DRAWING OR POSSESSION OF REPRODUCTIONS OF THIS DRAWING DOES NOT CONFER ANY RIGHTS OR LICENSE TO USE INFORMATION CONTAINED HEREIN WITHOUT THE WRITTEN CONSENT OF ALL SEASONS.
FLORIDA NO:		E4000PO				
			DRAWN BY: T.JOBB	DATE DRAWN: 2/24/14	SHEET SIZE: A	

3
OF
3