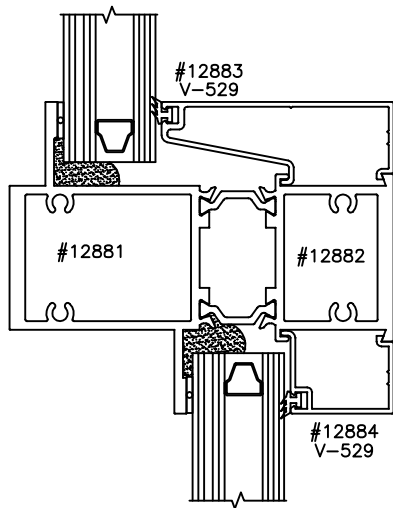


ALL SEASONS
ARCHITECTURAL WINDOWS MFG.

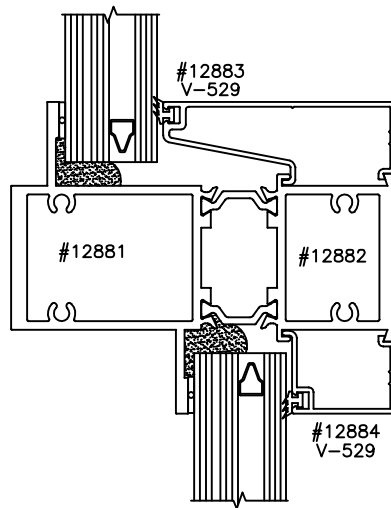
1293 N. Harvey Mitchell Pkwy.
Phone: (979) 823-6557
Fax: (979) 823-1005

IMPACT:	YES	COMPATIBLE SERIES:	E4000	SCALE:	1:2	REVISION:	A	SHEET NUMBER
BLAST:	NO	E4000FF	DESCRIPTION: E4000 FIXED FRAME OFFSET CROSS SECTIONS					
TDI NO:		E4000COS						
FLORIDA NO:		E4000PO	THIS DRAWING CONTAINS CONFIDENTIAL INFORMATION WHICH IS THE PROPERTY OF ALL SEASONS. RECEIPT OR POSSESSION OF REPRODUCTIONS OF THIS DRAWING OR POSSESSION OF REPRODUCTIONS OF THIS DRAWING DOES NOT CONFER ANY RIGHTS OR LICENSE TO USE INFORMATION CONTAINED HEREIN WITHOUT THE WRITTEN CONSENT OF ALL SEASONS.					
DRAWN BY:		T.Jobb	DATE DRAWN:		2/24/14	SHEET SIZE:		A

5/16" ANNEALED LAMI
 1/8" - 0.090 DUPONT SGP - 1/8"
 WITH 1/4" ANNEALED INBOARD



7/16" ANNEALED LAMI
 3/16" - 0.090 DUPONT SGP - 3/16"
 WITH 1/4" ANNEALED INBOARD



ALL SEASONS
 ARCHITECTURAL WINDOWS MFG.
 1293 N. Harvey Mitchell Pkwy.
 Phone: (979) 823-6557
 Fax: (979) 823-1005

IMPACT:	YES	COMPATIBLE SERIES:	FAMILY:	E4000	SCALE:	1:2	REVISION:	A	SHEET NUMBER	
BLAST:	NO	E4000FF	DESCRIPTION: E4000 FIXED FRAME OFFSET GLAZING DETAILS							
TDI NO:	E4000COS									
FLORIDA NO:	E4000PO									
THIS DRAWING CONTAINS CONFIDENTIAL INFORMATION WHICH IS THE PROPERTY OF ALL SEASONS. RECEIPT OR POSSESSION OF REPRODUCTIONS OF THIS DRAWING OR POSSESSION OF REPRODUCTIONS OF THIS DRAWING DOES NOT CONFER ANY RIGHTS OR LICENSE TO USE INFORMATION CONTAINED HEREIN WITHOUT THE WRITTEN CONSENT OF ALL SEASONS.										
DRAWN BY:			T.JOBB	DATE DRAWN:			2/24/14	SHEET SIZE:		A
									2 OF 2	