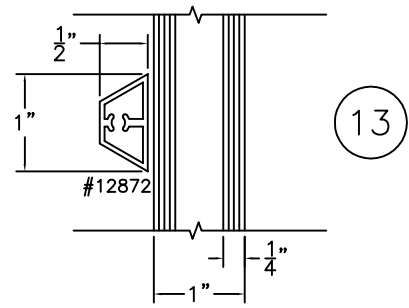
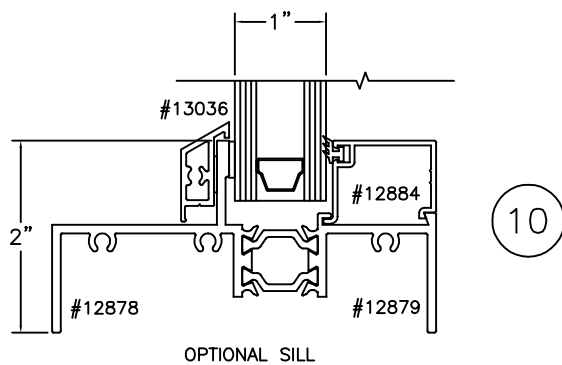
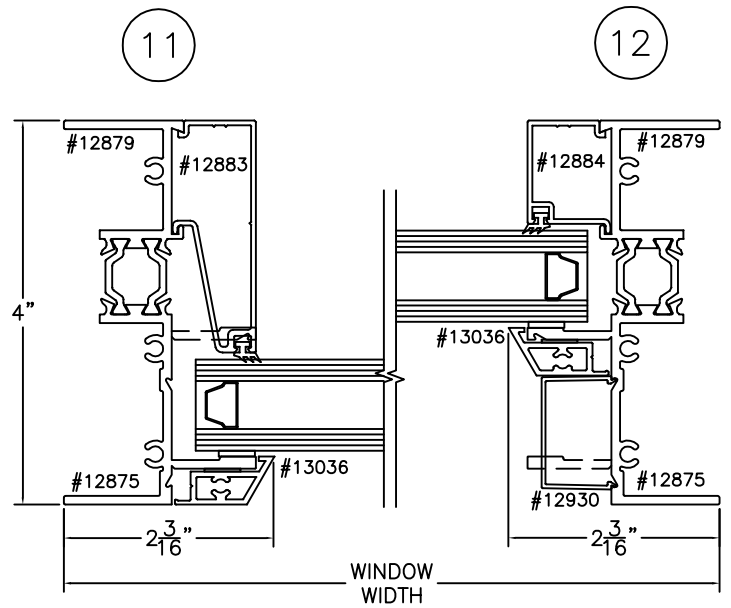
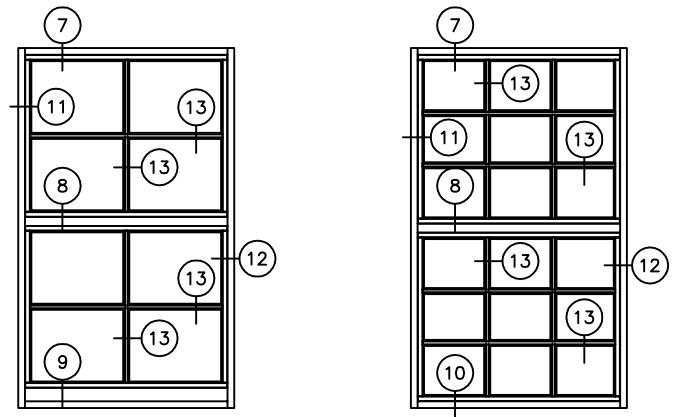
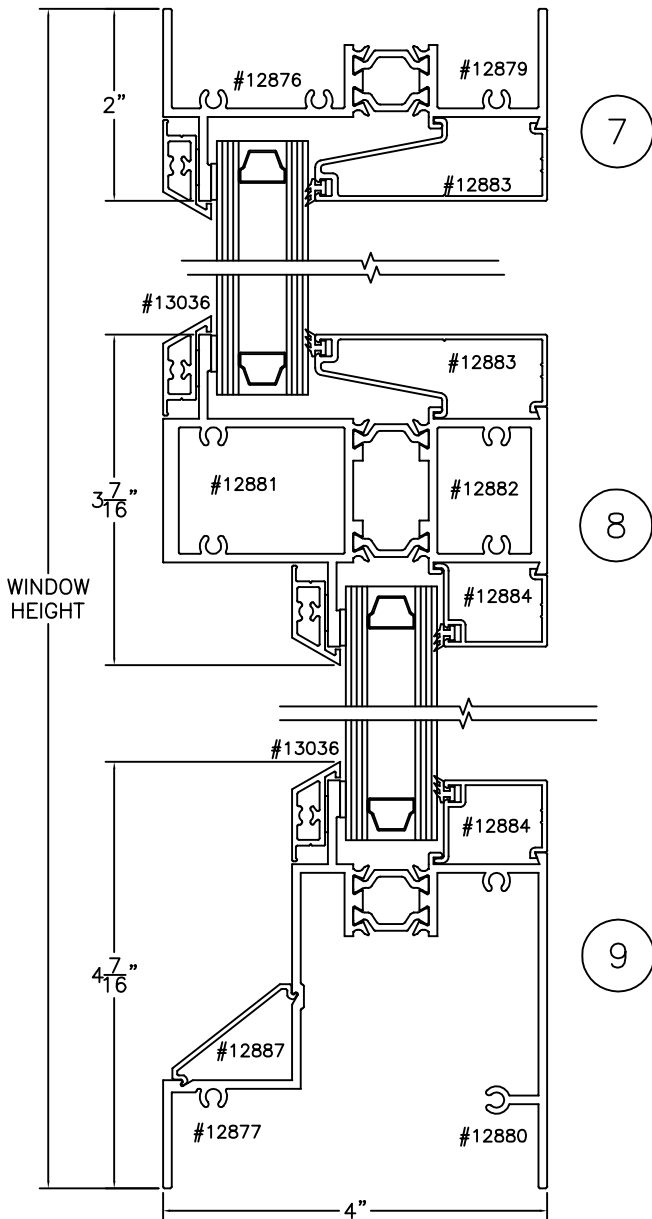


**ALL SEASONS**  
 ARCHITECTURAL WINDOWS MFG.  
 1293 N. Harvey Mitchell Pkwy.  
 Phone: (979) 823-6557  
 Fax: (979) 823-1005

IMPACT:	YES	COMPATIBLE SERIES:	E4000	SCALE:	1:2	REVISION:	B	SHEET NUMBER
BLAST:	NO	E4000FF	DESCRIPTION: <b>E4000 FIXED FRAME OFFSET CROSS SECTIONS</b>  <small>THIS DRAWING CONTAINS CONFIDENTIAL INFORMATION WHICH IS THE PROPERTY OF ALL SEASONS. RECEIPT OR POSSESSION OF REPRODUCTIONS OF THIS DRAWING OR POSSESSION OF REPRODUCTIONS OF THIS DRAWING DOES NOT CONFER ANY RIGHTS OR LICENSE TO USE INFORMATION CONTAINED HEREIN WITHOUT THE WRITTEN CONSENT OF ALL SEASONS.</small>					
TDI NO:	E4000COS							
FLORIDA NO:	E4000PO							
		DRAWN BY:						

1 OF 4

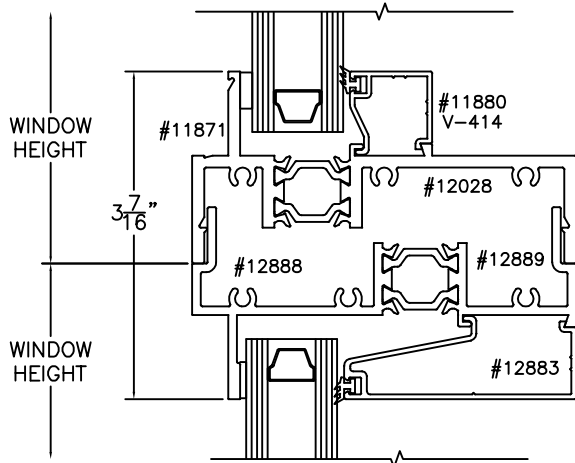


**ALL SEASONS**  
 ARCHITECTURAL WINDOWS MFG.  
 1293 N. Harvey Mitchell Pkwy.  
 Phone: (979) 823-6557  
 Fax: (979) 823-1005

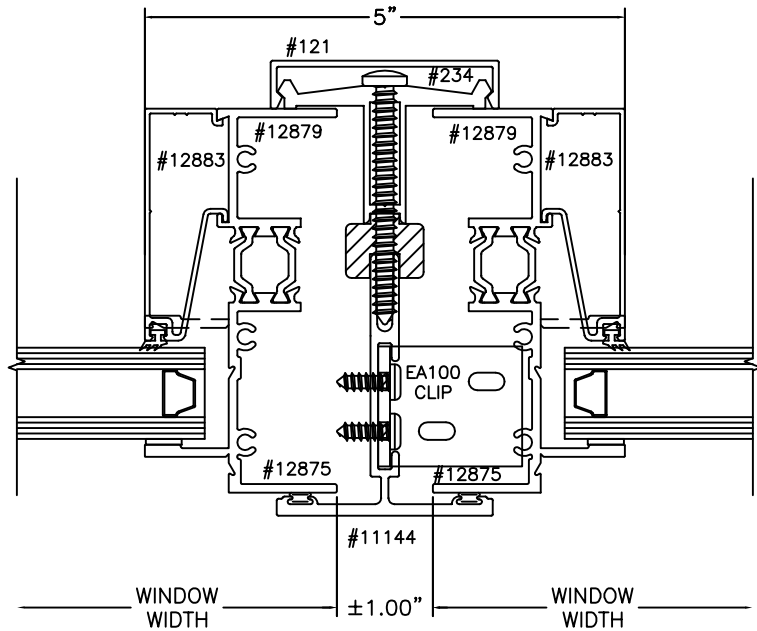
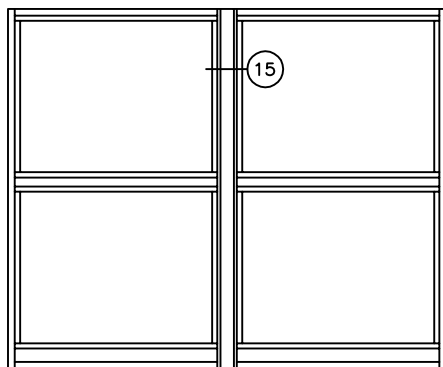
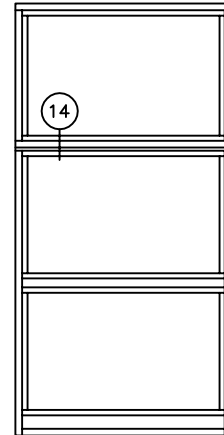
IMPACT:	YES	COMPATIBLE SERIES:	
BLAST:	NO		
TDI NO:			
FLORIDA NO:			

FAMILY:	E4000	SCALE:	1:2	REVISION:	B
DESCRIPTION:	E4000 FIXED FRAME OFFSET CROSS SECTIONS WITH EXT. GRIDS				
THIS DRAWING CONTAINS CONFIDENTIAL INFORMATION WHICH IS THE PROPERTY OF ALL SEASONS. RECEIPT OR POSSESSION OF REPRODUCTIONS OF THIS DRAWING OR POSSESSION OF REPRODUCTIONS OF THIS DRAWING DOES NOT CONFER ANY RIGHTS OR LICENSE TO USE INFORMATION CONTAINED HEREIN WITHOUT THE WRITTEN CONSENT OF ALL SEASONS.					
DRAWN BY:	T.Jobb	DATE DRAWN:	2/24/14	SHEET SIZE:	A


SHEET NUMBER  
**2**  
 OF  
**4**

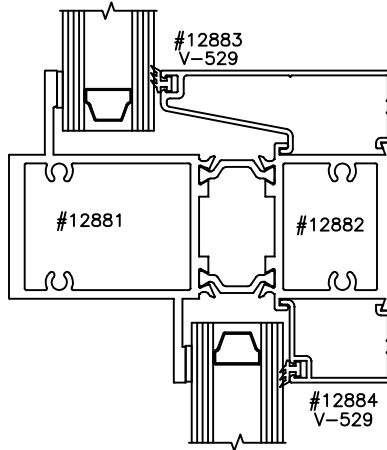


14



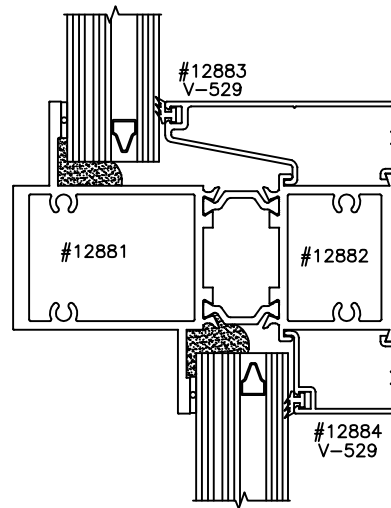
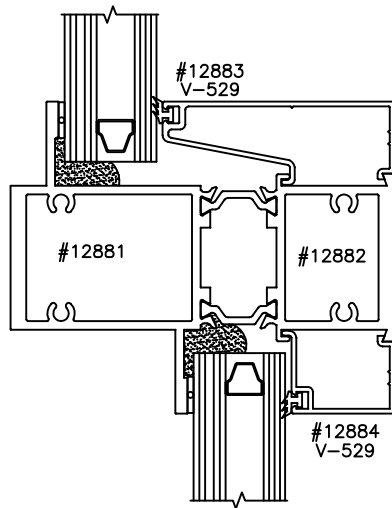
15

 <p>1293 N. Harvey Mitchell Pkwy. Phone: (979) 823-6557 Fax: (979) 823-1005</p>	IMPACT:	YES	COMPATIBLE SERIES:	FAMILY:	E4000	SCALE:	1:2	REVISION:	B	SHEET NUMBER  <b>3</b> OF <b>4</b>	
	BLAST:	NO	E4000FF	DESCRIPTION:							
	TDI NO:		E4000COS	E4000 FIXED FRAME OFFSET STACK AND MULL DETAILS							
	FLORIDA NO:		E4000PO	THIS DRAWING CONTAINS CONFIDENTIAL INFORMATION WHICH IS THE PROPERTY OF ALL SEASONS. RECEIPT OR POSSESSION OF REPRODUCTIONS OF THIS DRAWING OR POSSESSION OF REPRODUCTIONS OF THIS DRAWING DOES NOT CONFER ANY RIGHTS OR LICENSE TO USE INFORMATION CONTAINED HEREIN WITHOUT THE WRITTEN CONSENT OF ALL SEASONS.							
				DRAWN BY:	T.Jobb	DATE DRAWN:	2/24/14	SHEET SIZE:	A		



$\frac{3}{16}$ " ANNEALED LAMI  
 $\frac{1}{8}$ " - 0.090 DUPONT SGP -  $\frac{1}{8}$ "  
 WITH  $\frac{1}{4}$ " ANNEALED INBOARD

$\frac{7}{16}$ " ANNEALED LAMI  
 $\frac{3}{16}$ " - 0.090 DUPONT SGP -  $\frac{3}{16}$ "  
 WITH  $\frac{1}{4}$ " ANNEALED INBOARD



**ALL SEASONS**  
 ARCHITECTURAL WINDOWS MFG.  
 1293 N. Harvey Mitchell Pkwy.  
 Phone: (979) 823-6557  
 Fax: (979) 823-1005

IMPACT:	YES	COMPATIBLE SERIES:	FAMILY:	E4000	SCALE:	1:2	REVISION:	B	SHEET NUMBER
BLAST:	NO	E4000FF	DESCRIPTION: E4000 FIXED FRAME OFFSET GLAZING DETAILS						
TDI NO:		E4000COS							
FLORIDA NO:		E4000PO	THIS DRAWING CONTAINS CONFIDENTIAL INFORMATION WHICH IS THE PROPERTY OF ALL SEASONS. RECEIPT OR POSSESSION OF REPRODUCTIONS OF THIS DRAWING OR POSSESSION OF REPRODUCTIONS OF THIS DRAWING DOES NOT CONFER ANY RIGHTS OR LICENSE TO USE INFORMATION CONTAINED HEREIN WITHOUT THE WRITTEN CONSENT OF ALL SEASONS.						

4  
OF  
4