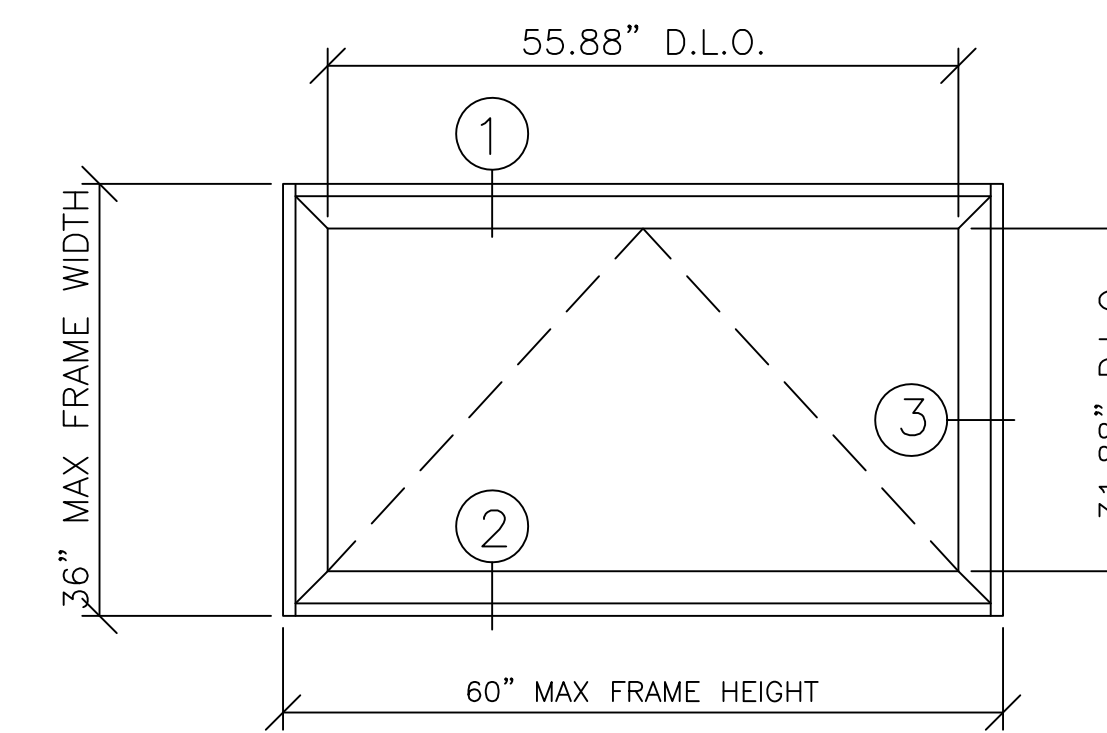


**GENERAL NOTES**

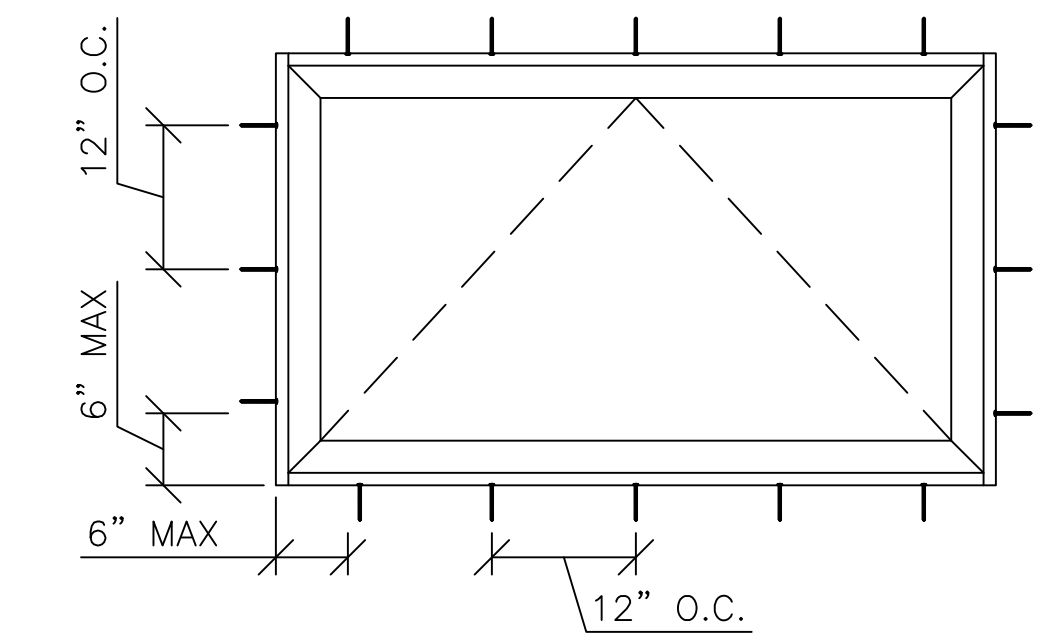
1. THE PRODUCT SHOWN HERIN IS DESIGNED AND MANUFACTURED TO COMPLY WITH THE CURRENT FLORIDA BUILDING CODE (FBC) EXCLUDING HVHZ.
2. ADEQUACY OF THE EXISTING STRUCTURAL CONCRETE/MASONRY AND 2X FRAMING AS A MAIN WIND FORCE RESISTING SYSTEM CAPABLE OF WITHSTANDING AND TRANSFERRING APPLIED PRODUCT LOADS TO THE FOUNDATION IS THE RESPONSIBILITY OF THE ENGINEER OR ARCHITECT OF RECORD FOR THE PROJECT OF INSTALLATION.
3. 1X AND 2X BUCKS (WHEN USED) SHALL BE DESIGNED AND ANCHORED TO PROPERLY TRANSFER ALL LOADS TO THE STRUCTURE. BUCK DESIGN AND INSTALLATION IS THE RESPONSIBILITY OF THE ENGINEER OR ARCHITECT OF RECORD FOR THE PROJECT OF INSTALLATION.
4. THE INSTALLATION DETAILS DESCRIBED HEREIN ARE GENERIC AND MAY NOT REFLECT ACTUAL CONDITIONS FOR A SPECIFIC SITE. IF SITE CONDITIONS CAUSE INSTALLATION TO DEVIATE FROM THE REQUIREMENTS DETAILED HERIN, A LICENSED ENGINEER OR ARCHITECT SHALL PREPARE SITE SPECIFIC DOCUMENTS FOR USE WITH THIS DOCUMENT.
5. APPROVED IMPACT PROTECTIVE SYSTEM **IS REQUIRED** ON THIS PRODUCT IN AREAS REQUIRING IMPACT RESISTANCE.
6. GLASS MEETS THE REQUIREMENTS OF ASTM E1300 GLASS CHARTS.
7. DESIGNATIONS "X" AND "O" STAND FOR THE FOLLOWING:  
 X: OPERABLE PANEL  
 O: FIXED PANEL

**INSTALLATION NOTES:**

1. ONE INSTALLATION ANCHOR IS REQUIRED AT EACH ANCHOR LOCATION SHOWN.
2. THE NUMBER OF INSTALLATION ANCHORS DEPICTED IS THE MINIMUM NUMBER OF ANCHORS TO BE USED FOR THE PRODUCT INSTALLATION.
3. INSTALL INDIVIDUAL INSTALLATION ANCHORS WITHIN A TOLERANCE OF +/-1/2 INCH OF THE DEPICTED LOCATION IN THE ANCHOR LAYOUT DETAIL (I.E., WITHOUT CONSIDERATION OF TOLERANCES). TOLERANCES ARE NOT CUMULATIVE FROM ONE INSTALLATION ANCHOR TO THE NEXT.
4. SHIM AS REQUIRED AT EACH INSTALLATION ANCHOR WITH LOAD BEARING SHIM(S). MAXIMUM ALLOWABLE SHIM STACK TO BE 1/4 INCH. SHIM WHERE SPACE OF 1/16 INCH OR GREATER OCCURS. SHIM(S) SHALL BE CONSTRUCTED OF HIGH DENSITY PLASTIC OR BETTER.
5. FOR INSTALLATION INTO WOOD FRAMING USE #10 WOOD SCREWS OF SUFFICIENT LENGTH TO ACHIEVE 1 1/2 INCH MINIMUM EMBEDMENT INTO WOOD SUBSTRATE.
6. FOR INSTALLATION THROUGH 1X BUCK TO CONCRETE/MASONRY, OR DIRECTLY INTO CONCRETE/MASONRY, USE 3/16 INCH DIAMETER ITW TAPCONS OF SUFFICIENT LENGTH TO ACHIEVE 1 1/4 INCH MINIMUM EMBEDMENT.
7. FOR INSTALLATION INTO STEEL STUD FRAMING USE #10 SELF-TAPPING SCREWS OF SUFFICIENT LENGTH TO ACHIEVE 3 THREADS OF MINIMUM ENGAGEMENT BEYOND STEEL STUD SUBSTRATE.
8. MINIMUM EMBEDMENT AND EDGE DISTANCE EXCLUDE WALL FINISHES, INCLUDING BUT NOT LIMITED TO STUCCO, FOAM, BRICKVENEER, AND SIDING.
9. INSTALLATION ANCHORS AND ASSOCIATED HARDWARE MUST BE MADE OF CORROSION RESISTANT MATERIAL OR HAVE A CORROSION RESISTANT COATING.
10. FOR HOLLOW BLOCK AND GROUT FILLED BLOCK, DO NOT INSTALL INSTALLATION ANCHORS INTO MORTAR JOINTS. EDGE DISTANCE IS MEASURED FROM FREE EDGE OF BLOCK OR EDGE OF MORTAR JOINT INTO FACE OF SHELL OF BLOCK.
11. INSTALLATION ANCHORS SHALL BE INSTALLED IN ACCORDANCE WITH ANCHOR MANUFACTURER'S INSTALLATION INSTRUCTIONS AND ANCHORS SHALL NOT BE USED IN SUBSTRATES WITH STRENGTHS LESS THAN THE MINIMUM STRENGTH SPECIFIED BY THE ANCHOR MANUFACTURER.
12. INSTALLATION ANCHOR CAPACITIES FOR PRODUCTS HERIN ARE BASED ON SUBSTRATE MATERIALS WITH THE FOLLOWING PROPERTIES:
  - A. WOOD - MINIMUM SPECIFIC GRAVITY OF 0.55.
  - B. CONCRETE - MINIMUM COMPRESSIVE STRENGTH OF 3000 PSI.
  - C. MASONRY - STRENGTH CONFORMANCE TO ASTM C-90, GRADE N, TYPE 1 (OR GREATER).
  - D. STEEL - MINIMUM TENSILE YIELD STRENGTH OF 33 KSI. MINIMUM WALL THICKNESS OF 49 MILS. (18 GAUGE)



**EXTERIOR ELEVATION**



**ANCHOR LAYOUT**

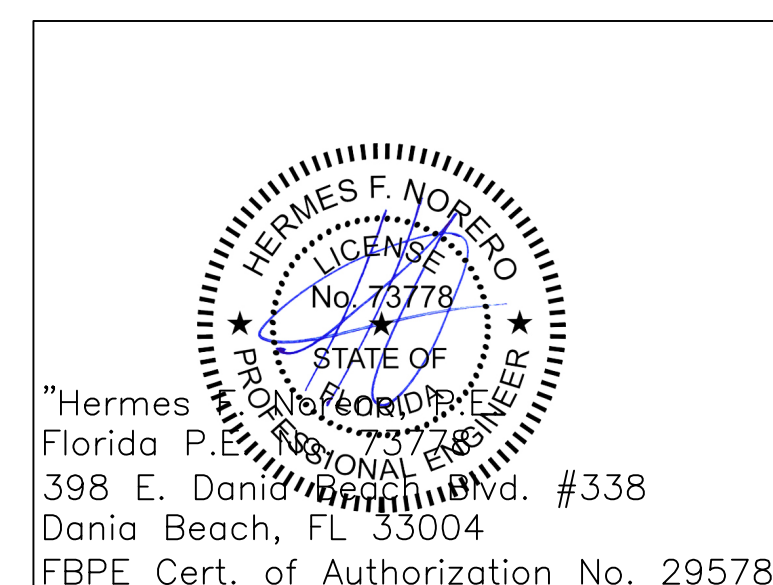
| GENERAL NOTES |                               |
|---------------|-------------------------------|
| SERIES        | E2500/E3250/E4000 PROJECT OUT |
| FINISH        | ANY                           |
| PANELS        | NONE                          |
| SCREENS       | NONE                          |
| GLAZING       | INSULATED GLASS (ANNEALED)    |

| CORNER CONSTRUCTION  |
|--|
| BUTT, SECURED WITH TWO (2) #8 X 1" PHILLIPS PAN HEAD CAD PLATED TYPE "A" SCREWS AND SEALED WITH SCHNEE-MOREHEAD 5504 SEALANT |

| TEST REQUIREMENTS |            |
|-------------------|------------|
| DESIGN PRESSURE   | +/-90 PSF  |
| TEST TYPE         | STRUCTURAL |

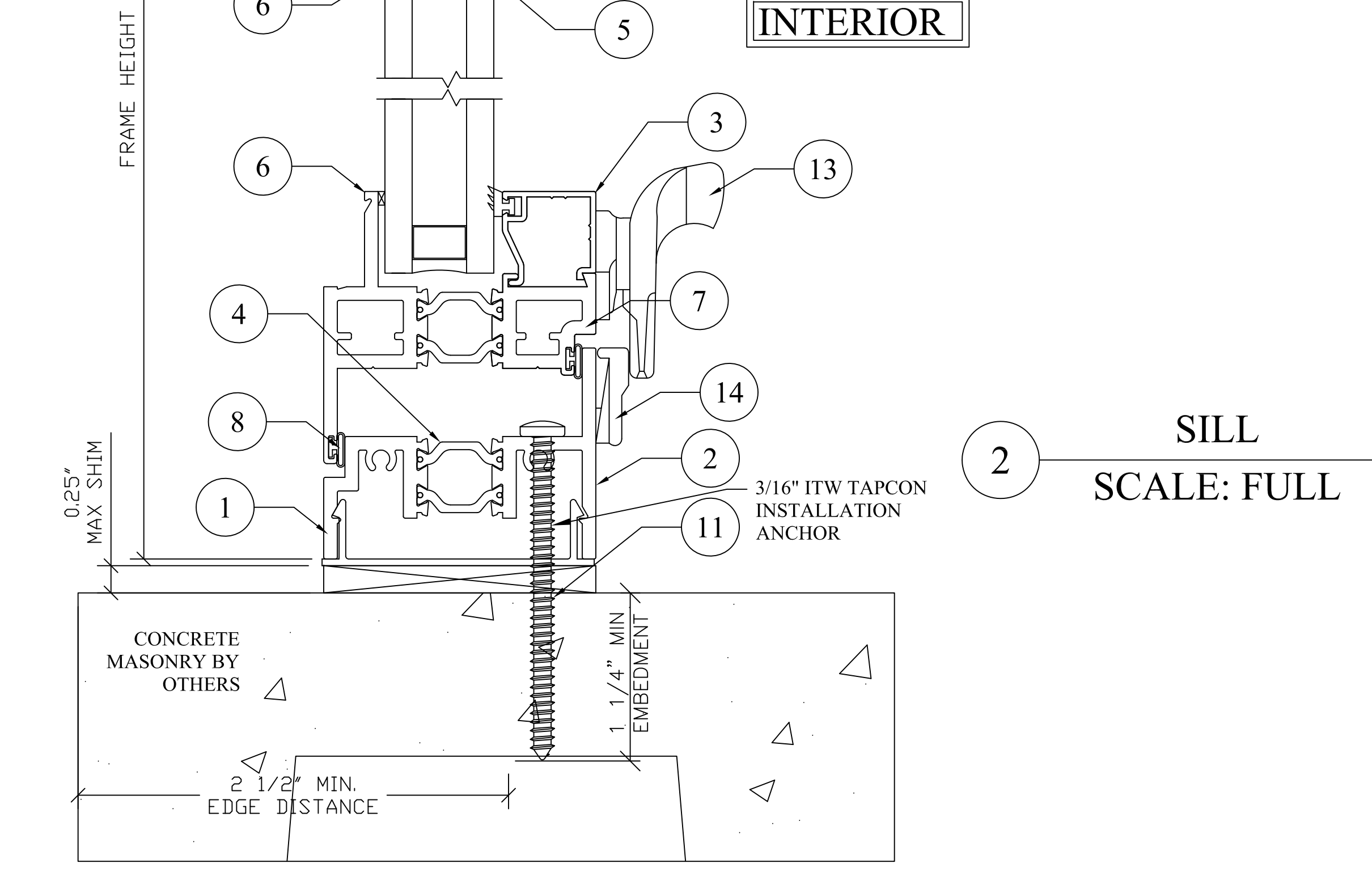
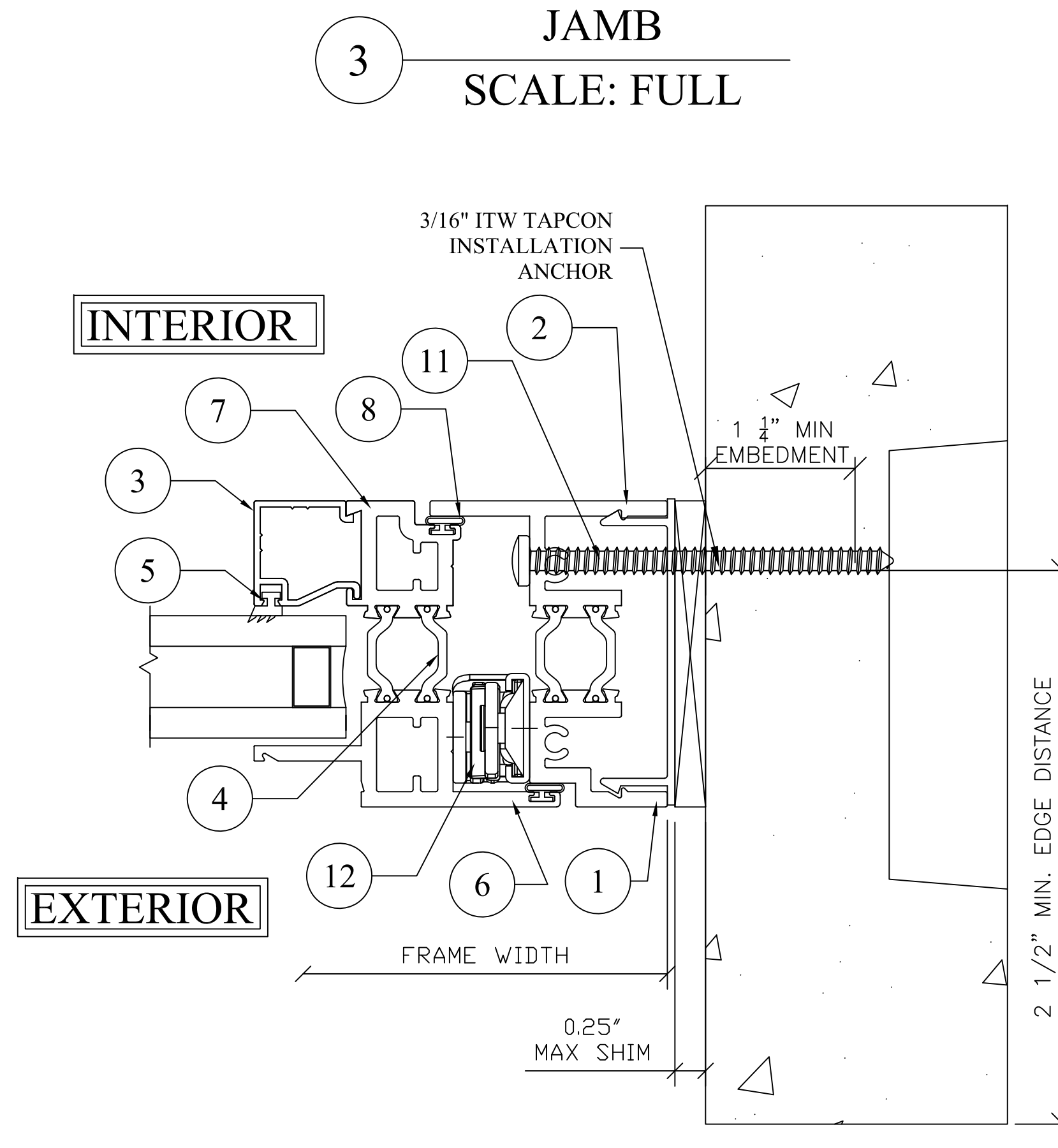
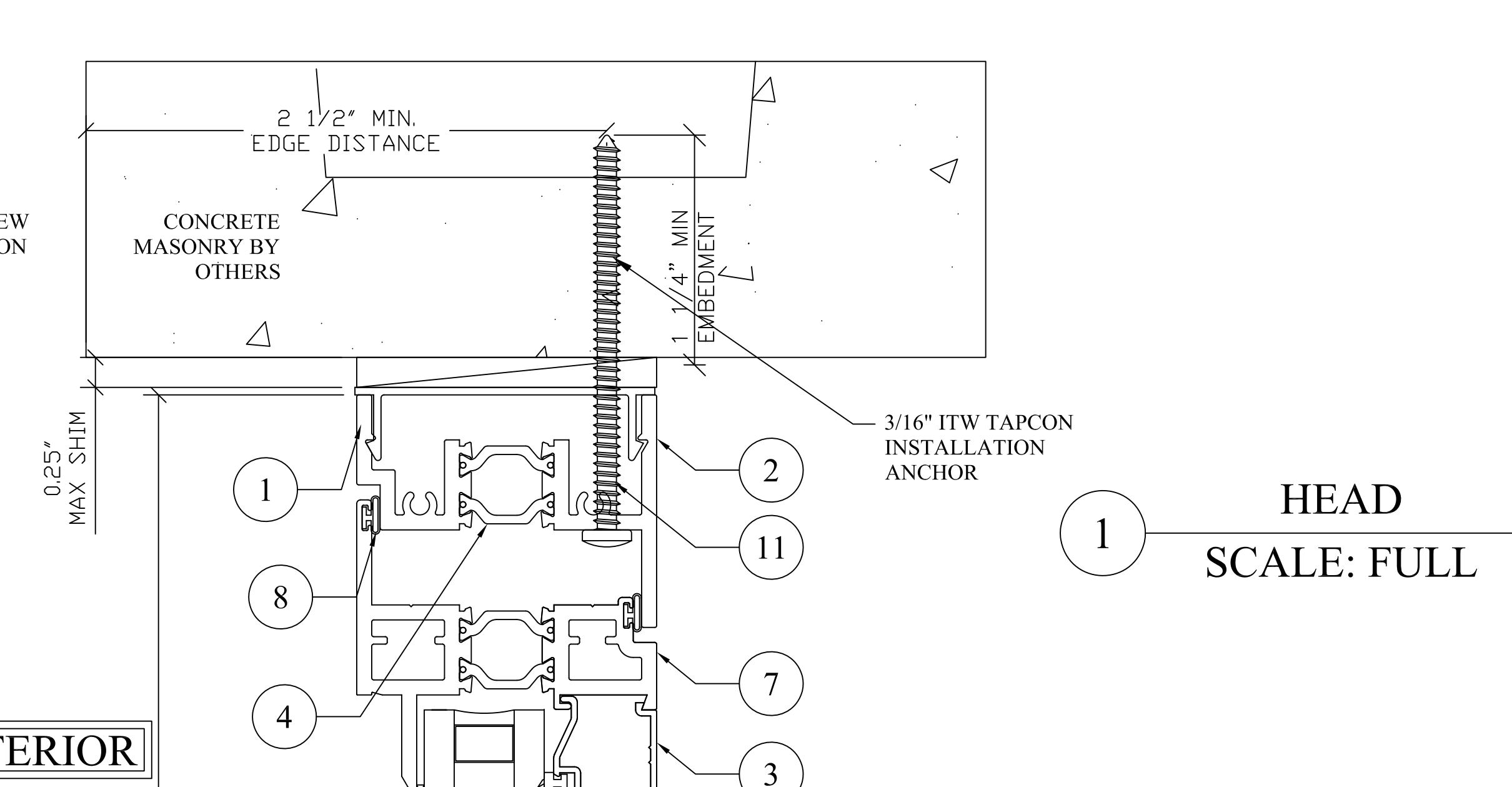
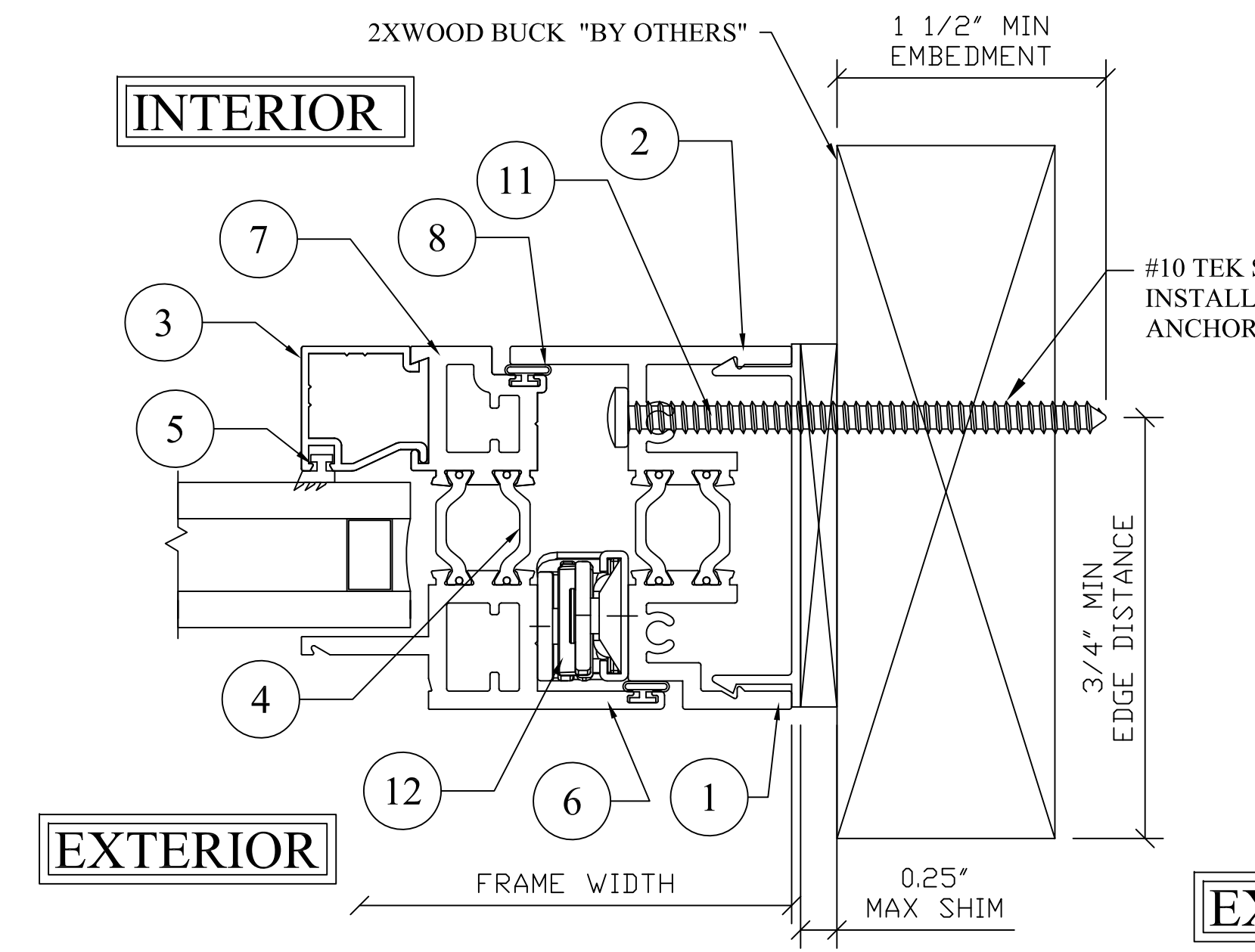
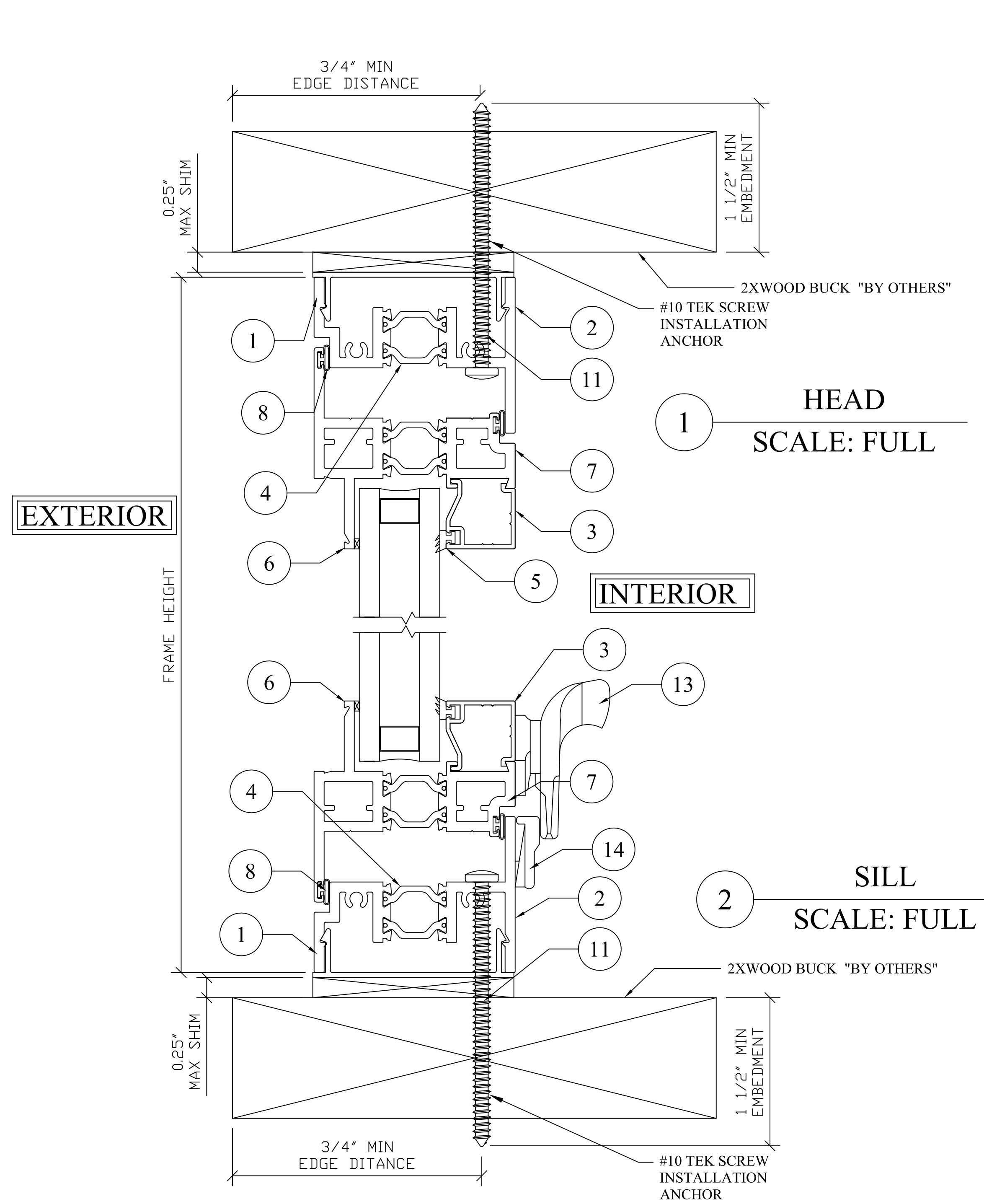
| LOCK REQUIREMENTS |                       |
|-------------------|-----------------------|
| MAX FRAME WIDTH   | NO. OF LOCKS REQUIRED |
| 36"               | 1                     |
| 60"               | 2                     |

NOTE: DRAWINGS TO SCALE ON 24 X 36 PAPER ONLY

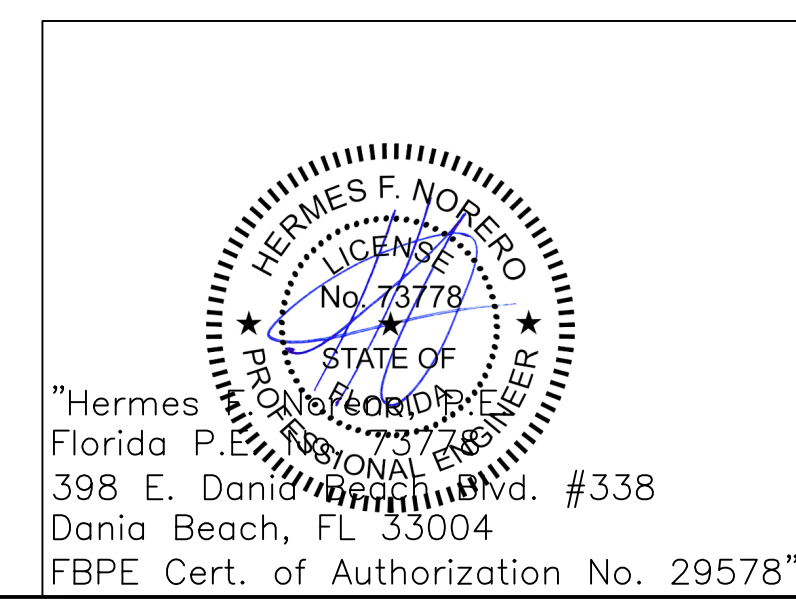


1293 HARVEY MITCHELL PKWY. BRYAN, TX 77803  
 PHONE: (979) 823-6557 FAX: (979) 823-1005

| MEMO NO.     | 8097-10                                  | REVISIONS |                       | SCALE   | DETAILS: FULL ELEV: 3/4" = 1" |
|--------------|--|-----------|-----------------------|---------|-------------------------------|
| DESCRIPTION: | E2500/E3250/E4000 PROJECT OUT ELEVATIONS | A         | EDIT DETAILS TO 2010  | 2/13/14 | DRAWN BY: JKY                 |
|              |  | B         | ADDED E3250 AND E4000 | 5/7/14  |                               |
|              |  |           |                       |         | DATE DRAWN: 10/4/10           |
|              |  |           |                       |         | PAGE NO. 1 OF 6               |



NOTE: DRAWINGS TO SCALE ON 24 X 36 PAPER ONLY

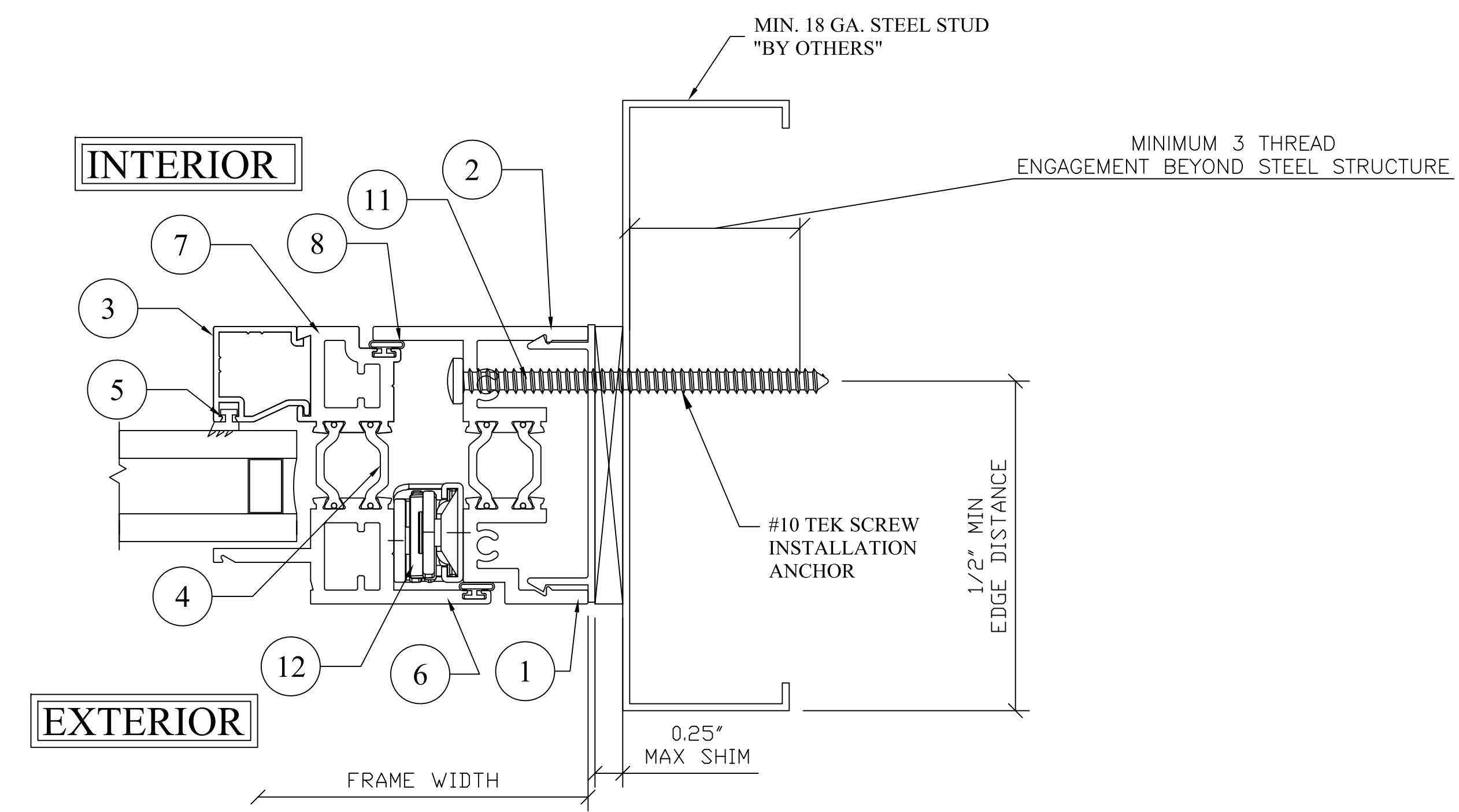
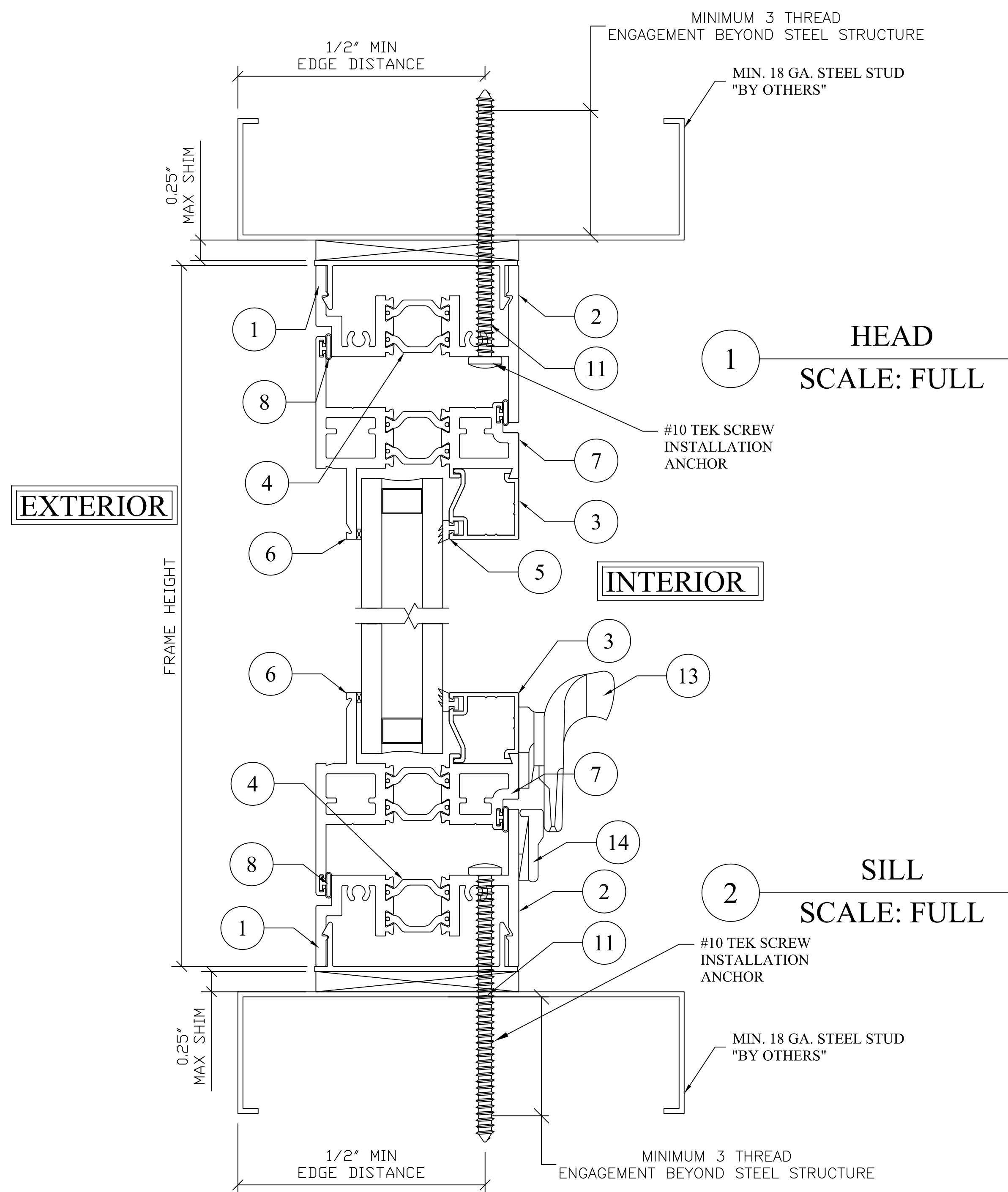


**ALL SEASONS**  
**COMMERCIAL DIV.**  
 1293 HARVEY MITCHELL PKWY. BRYAN, TX 77803  
 PHONE: (979) 823-6557 FAX: (979) 823-1005

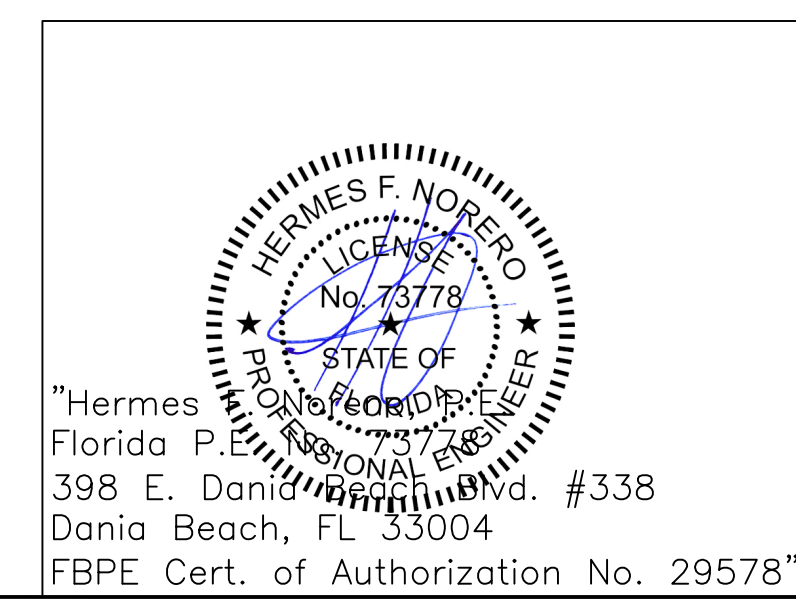
MEMO NO. 8097-10  
 DESCRIPTION:  
 E2500/E3250/E4000 PROJECT OUT MASONRY AND WOOD DETAILS

| REVISIONS |                       |         |
|-----------|-----------------------|---------|
| A         | EDIT DETAILS TO 2010  | 2/13/14 |
| B         | ADDED E3250 AND E4000 | 5/7/14  |
|           |                       |         |
|           |                       |         |

SCALE DETAILS: FULL ELEV: 3/4" = 1"  
 DRAWN BY: JKY  
 DATE DRAWN: 10/31/13  
 PAGE NO. 2 OF 6



NOTE: DRAWINGS TO SCALE ON 24 X 36 PAPER ONLY



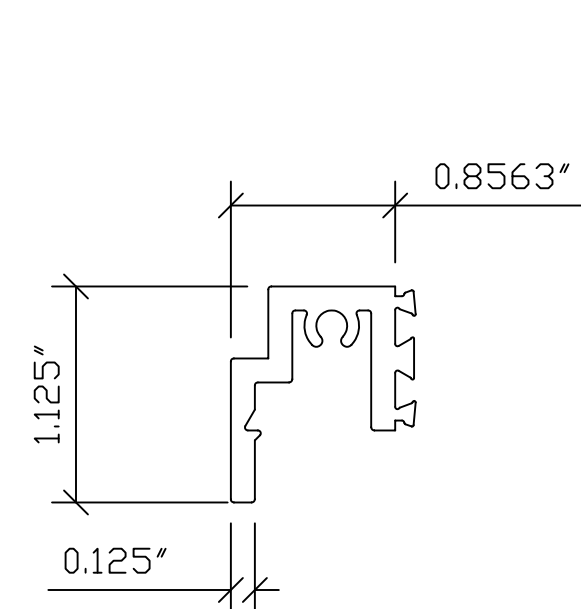
1293 HARVEY MITCHELL PKWY. BRYAN, TX 77803  
 PHONE: (979) 823-6557 FAX: (979) 823-1005

MEMO NO. 8097-10  
 DESCRIPTION:  
 E2500/E3250/E4000 PROJECT OUT  
 STEEL DETAILS

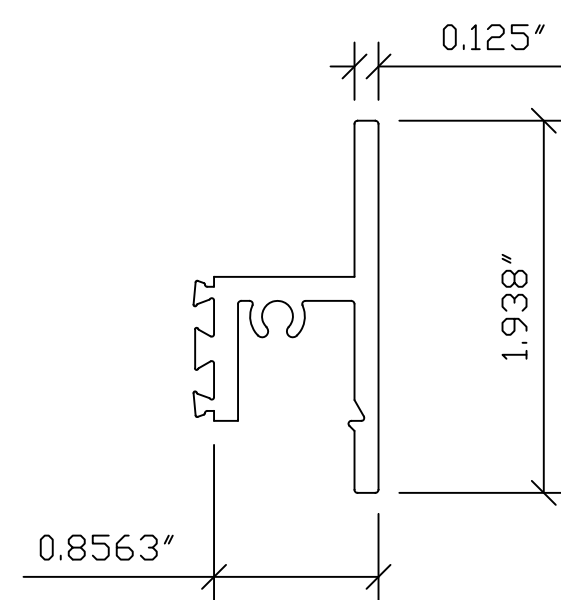
| REVISIONS |                       |         |
|-----------|-----------------------|---------|
| A         | EDIT DETAILS TO 2010  | 2/13/14 |
| B         | ADDED E3250 AND E4000 | 5/7/14  |
|           |                       |         |
|           |                       |         |

SCALE DETAILS: FULL  
 ELEV: 3/4" = 1"  
 DRAWN BY: JKY  
 DATE DRAWN: 10/31/13  
 PAGE NO. 3 OF 6

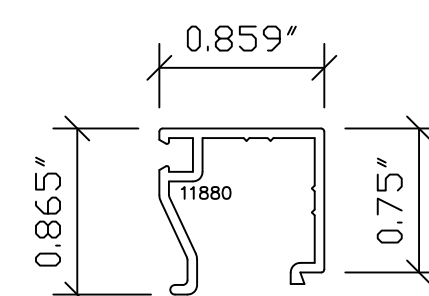
| ITEM#           | PART#      | ITEM DESCRIPTION       | MANUFACTURER/NOTES   |
|-----------------|------------|------------------------|----------------------|
| WINDOW PARTS    |            |                        |                      |
| 1               | 11889      | FRAME EXTERIOR         | 6063-T5 ALUMINUM     |
| 2               | 11885      | FRAME INTERIOR         | 6063-T5 ALUMINUM     |
| 3               | 11880      | GLAZING BEAD           | 6063-T5 ALUMINUM     |
| 4               | 66108802   | 20mm THERMAL STRUT     | ENSINGER             |
| 5               | V-414      | GLAZING VINYL          | SOFT PVC             |
| 6               | 11886      | VENT EXTERIOR          | 6063-T5 ALUMINUM     |
| 7               | 11883      | VENT INTERIOR          | 6063-T5 ALUMINUM     |
| 8               | V-537      | BULB VINYL             | SOFT PVC             |
| SEALS & SEALANT |            |                        |                      |
| 9               | -----      | SEAM SEALANT           | SCHNEE MOREHEAD 5504 |
| MISC. FASTENERS |            |                        |                      |
| 10              | 66103392   | 8-15 X 1" PH PN HD CAD | FRAME ASSEMBLY SCREW |
| 11              | -----      | #10 X 3" PH PN HD      | INSTALLATION ANCHOR  |
| HARDWARE        |            |                        |                      |
| 12              | 66108838   | HINGE                  | 16" AMC MAGNUM       |
| 13              | 66103704/5 | LOCK                   | BRONZECRAFT          |
| 14              | 66103057   | KEEPER                 | BRONZECRAFT          |



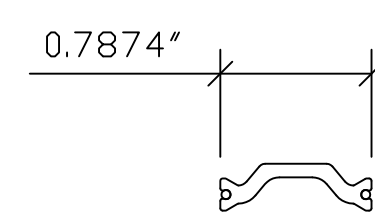
① FRAME EXTERIOR



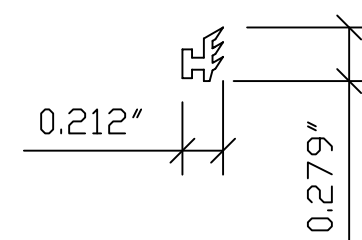
② FRAME INTERIOR



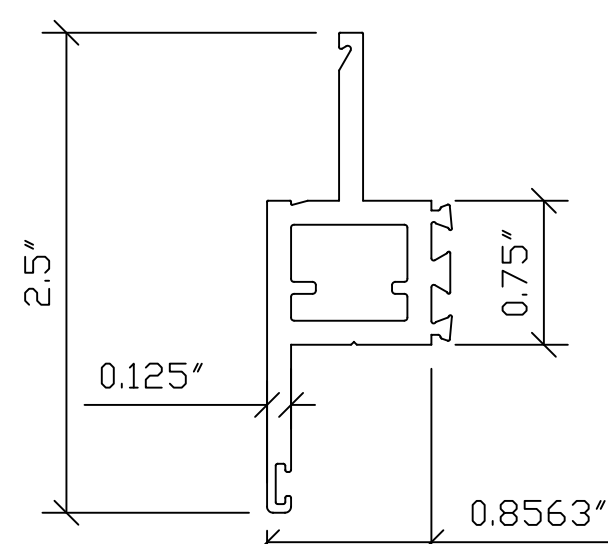
③ GLAZING BEAD



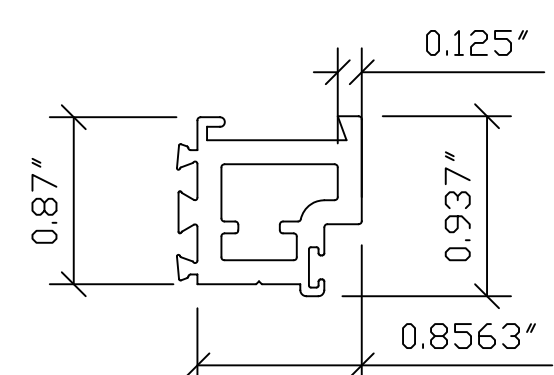
④ 20mm STRUT



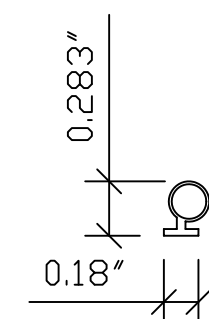
⑤ GLAZING VINYL



⑥ VENT EXTERIOR



⑦ VENT INTERIOR

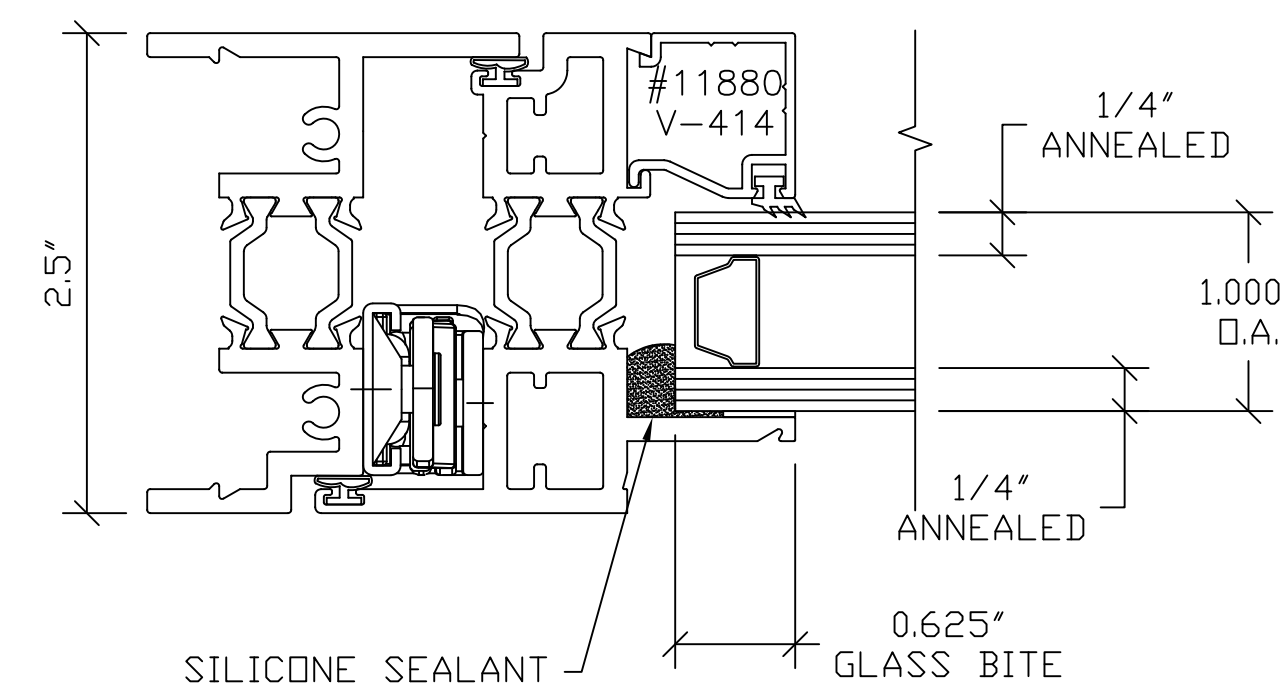


⑧ BULB VINYL



SHEAR CLIP  
ALUMINUM 6063-T5

**GLAZING DETAIL:**



NOTE: "GLASS TYPE AND THICKNESS MAY VARY ACCORDING TO THE ASTM E1300-04 GLASS CHART REQUIREMENTS"

NOTE: DRAWINGS TO SCALE ON 24 X 36 PAPER ONLY

Hermes F. Norero  
Florida P. E.  
398 E. Daniel Pines Blvd. #338  
Dania Beach, FL 33004  
FBPE Cert. of Authorization No. 29578"

**ALL SEASONS**  
COMMERCIAL DIV.

1293 HARVEY MITCHELL PKWY. BRYAN, TX 77803  
PHONE: (979) 823-6557  
FAX: (979) 823-1005

MEMO NO. 8097-10

DESCRIPTION:  
**E2500 PROJECT OUT BOM**

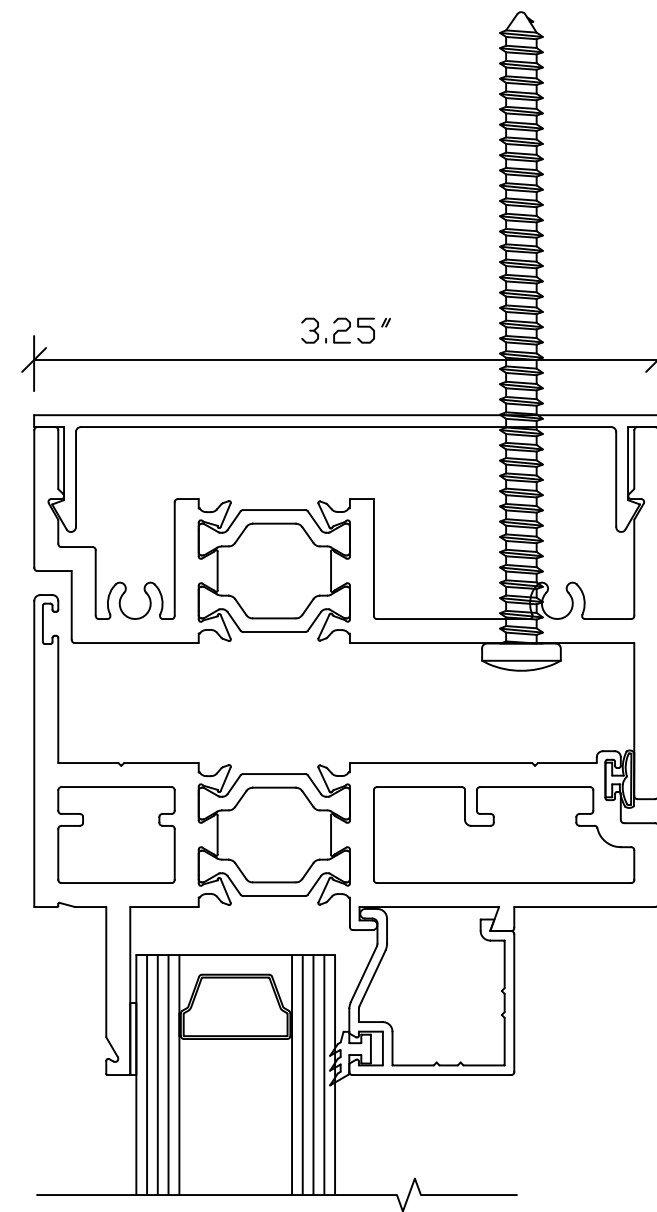
| REVISIONS |                       |         |
|-----------|-----------------------|---------|
| A         | EDIT DETAILS TO 2010  | 2/13/14 |
| B         | ADDED E3250 AND E4000 |         |
|           |                       |         |
|           |                       |         |

SCALE: DETAILS: FULL ELEV: 3/4" = 1"

DRAWN BY: JKY

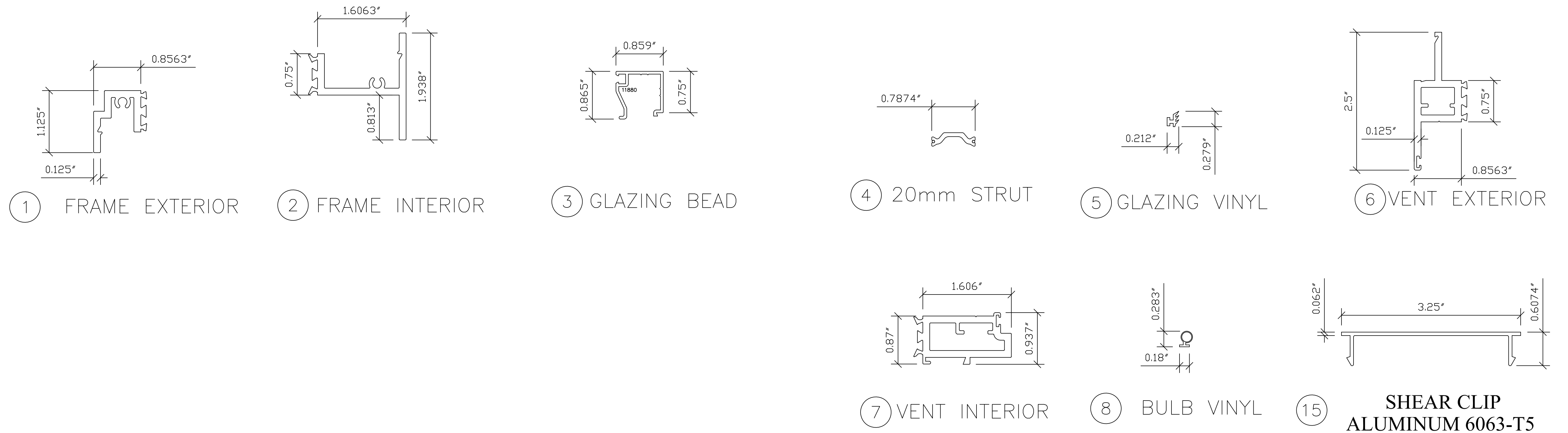
DATE DRAWN: 10/31/13

PAGE NO. **4 OF 6**



E3250 - 3/4" Frame window installation anchor placement shown. Reference previous pages for anchor type and spacing based on substrate installed into.

| ITEM#           | PART#      | ITEM DESCRIPTION       | MANUFACTURER/NOTES   |
|-----------------|------------|------------------------|----------------------|
| WINDOW PARTS    |            |                        |                      |
| 1               | 11889      | FRAME EXTERIOR         | 6063-T5 ALUMINUM     |
| 2               | 12058      | FRAME INTERIOR         | 6063-T5 ALUMINUM     |
| 3               | 11880      | GLAZING BEAD           | 6063-T5 ALUMINUM     |
| 4               | 66108802   | 20mm THERMAL STRUT     | ENSINGER             |
| 5               | V-414      | GLAZING VINYL          | SOFT PVC             |
| 6               | 11886      | VENT EXTERIOR          | 6063-T5 ALUMINUM     |
| 7               | 12060      | VENT INTERIOR          | 6063-T5 ALUMINUM     |
| 8               | V-537      | BULB VINYL             | SOFT PVC             |
| 15              |            | SHEAR CLIP             | 6063-T5 ALUMINUM     |
| SEALS & SEALANT |            |                        |                      |
| 9               |            | SEAM SEALANT           | SCHNEE MOREHEAD 5504 |
| MISC. FASTENERS |            |                        |                      |
| 10              | 66103392   | 8-15 X 1" PH PN HD CAD | FRAME ASSEMBLY SCREW |
| 11              |            | #10 X 3" PH PN HD      | INSTALLATION ANCHOR  |
| HARDWARE        |            |                        |                      |
| 12              | 66108838   | HINGE                  | 16" AMC MAGNUM       |
| 13              | 66103704/5 | LOCK                   | BRONZECRAFT          |
| 14              | 66103057   | KEEPER                 | BRONZECRAFT          |



NOTE: DRAWINGS TO SCALE ON 24 X 36 PAPER ONLY

"Hermes F. Norero  
Florida P. E.  
398 E. Daniel Pkwy. #338  
Dania Beach, FL 33004  
FBPE Cert. of Authorization No. 29578"

**ALL SEASONS**  
COMMERCIAL DIV.

1293 HARVEY MITCHELL PKWY.  
BRYAN, TX 77803

PHONE: (979) 823-6557  
FAX: (979) 823-1005

MEMO NO. 8097-10

DESCRIPTION:  
**E3250 PROJECT OUT**  
**BOM**

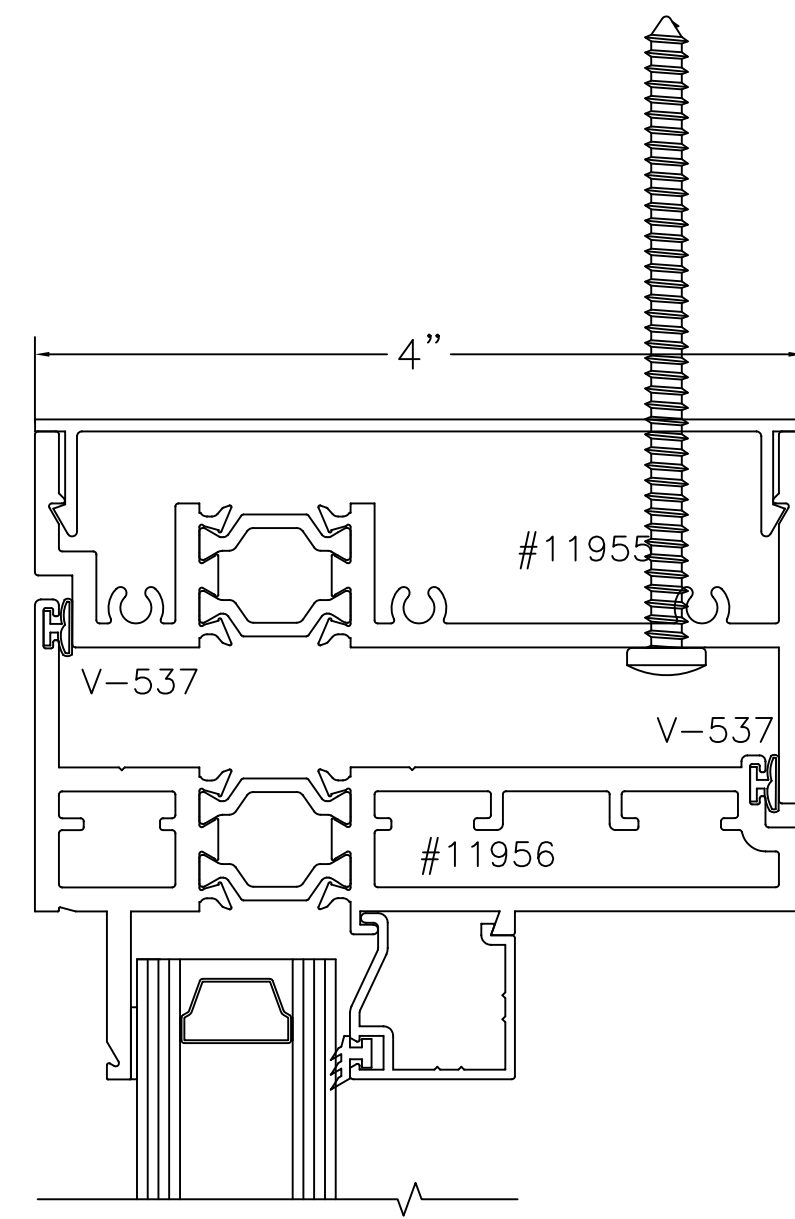
| REVISIONS |                       |         |
|-----------|-----------------------|---------|
| A         | EDIT DETAILS TO 2010  | 2/13/14 |
| B         | ADDED E3250 AND E4000 | 5/7/14  |

SCALE: DETAILS: FULL ELEV: 3/4" = 1"

DRAWN BY: JKY

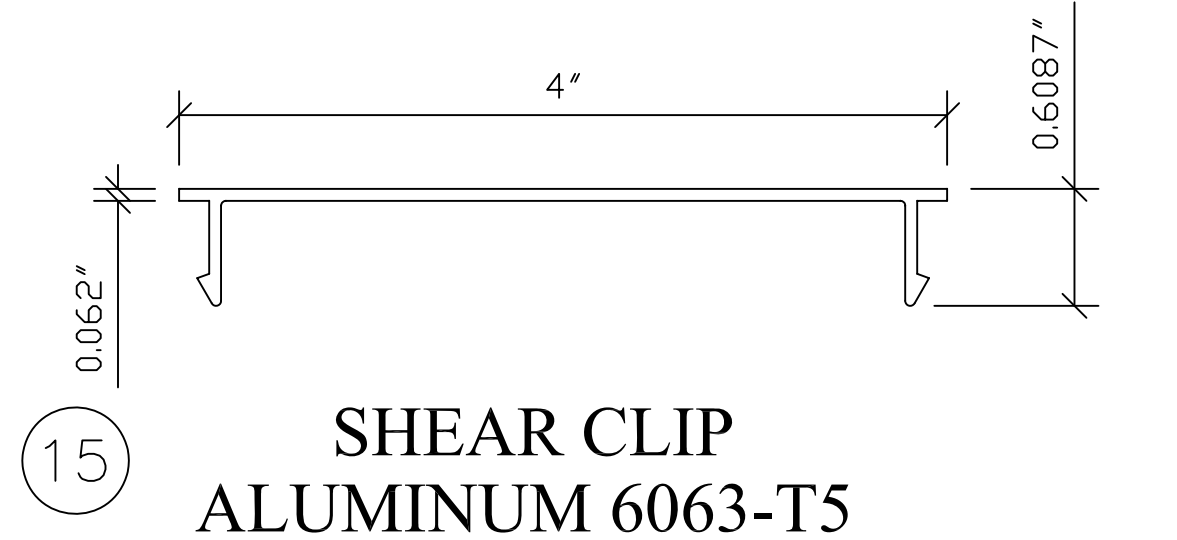
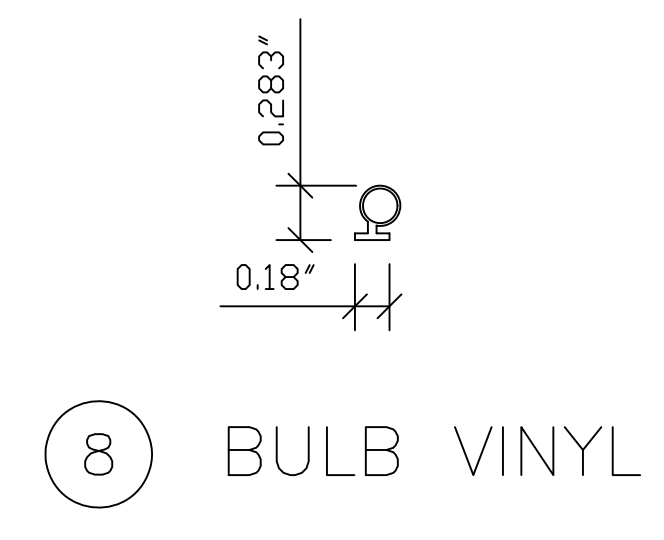
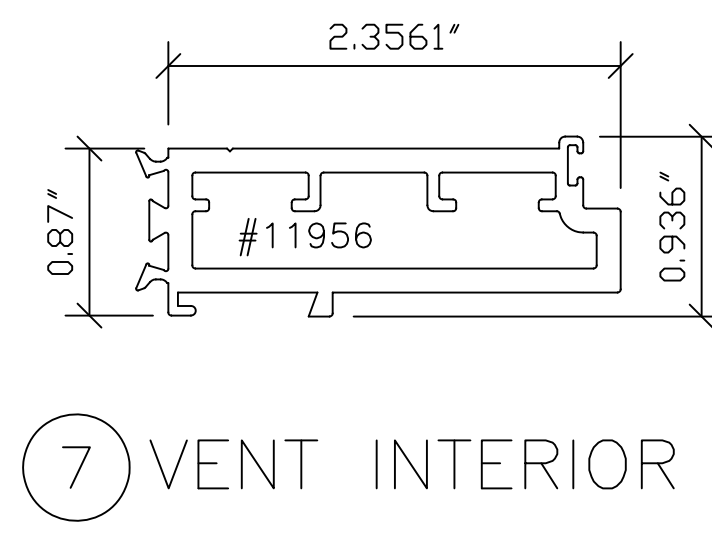
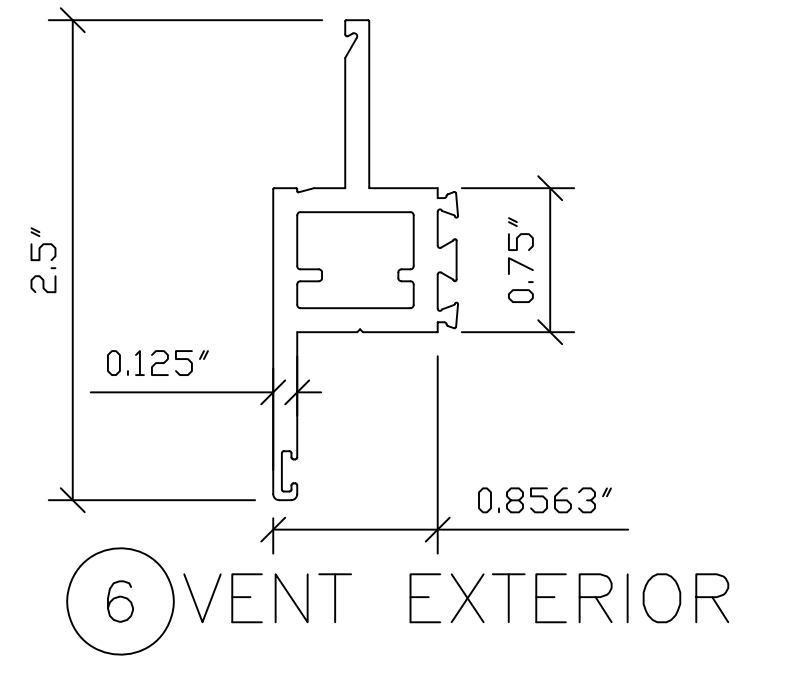
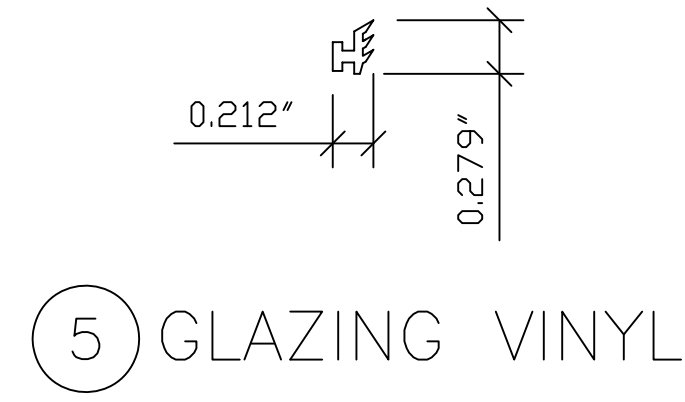
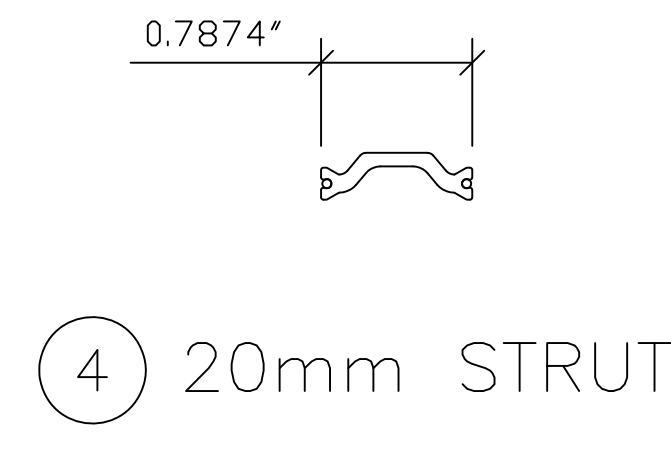
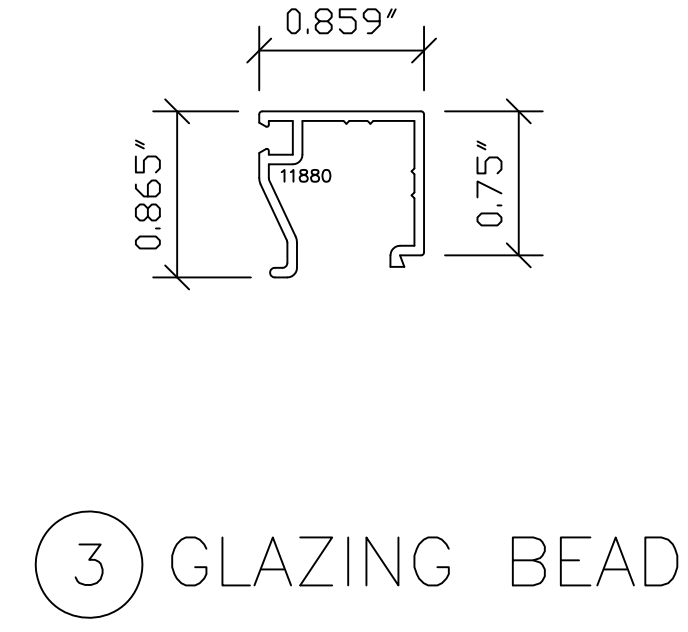
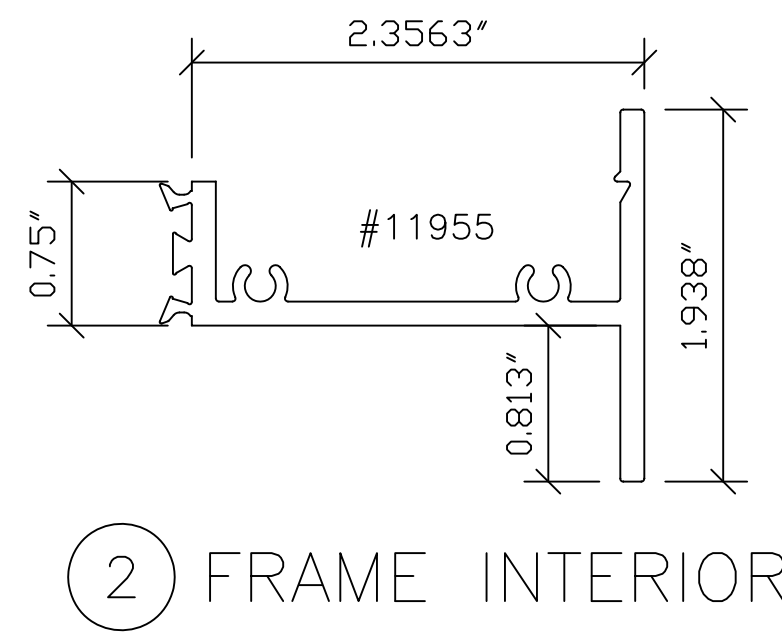
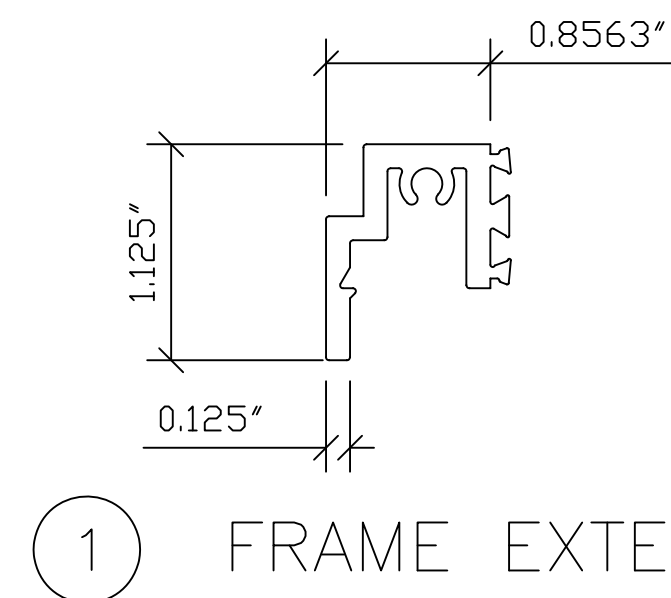
DATE DRAWN: 10/31/13

PAGE NO. **5** OF **6**



E4000 - 4" Frame window installation anchor placement shown. Reference previous pages for anchor type and spacing based on substrate installed into.

| ITEM#           | PART#      | ITEM DESCRIPTION       | MANUFACTURER/NOTES   |
|-----------------|------------|------------------------|----------------------|
| WINDOW PARTS    |            |                        |                      |
| 1               | 11889      | FRAME EXTERIOR         | 6063-T5 ALUMINUM     |
| 2               | 11955      | FRAME INTERIOR         | 6063-T5 ALUMINUM     |
| 3               | 11880      | GLAZING BEAD           | 6063-T5 ALUMINUM     |
| 4               | 66108802   | 20mm THERMAL STRUT     | ENSINGER             |
| 5               | V-414      | GLAZING VINYL          | SOFT PVC             |
| 6               | 11886      | VENT EXTERIOR          | 6063-T5 ALUMINUM     |
| 7               | 11956      | VENT INTERIOR          | 6063-T5 ALUMINUM     |
| 8               | V-537      | BULB VINYL             | SOFT PVC             |
| 15              |            | SHEAR CLIP             | 6063-T5 ALUMINUM     |
| SEALS & SEALANT |            |                        |                      |
| 9               |            | SEAM SEALANT           | SCHNEE MOREHEAD 5504 |
| MISC. FASTENERS |            |                        |                      |
| 10              | 66103392   | 8-15 X 1" PH PN HD CAD | FRAME ASSEMBLY SCREW |
| 11              |            | #10 X 3" PH PN HD      | INSTALLATION ANCHOR  |
| HARDWARE        |            |                        |                      |
| 12              | 66108838   | HINGE                  | 16" AMC MAGNUM       |
| 13              | 66103704/5 | LOCK                   | BRONZECRAFT          |
| 14              | 66103057   | KEEPER                 | BRONZECRAFT          |



NOTE: DRAWINGS TO SCALE ON 24 X 36 PAPER ONLY

Hermes F. Norero  
Florida P.E.  
398 E. Dania Blvd. #338  
Dania Beach, FL 33004  
FBPE Cert. of Authorization No. 29578

**ALL SEASONS**  
COMMERCIAL DIV.

1293 HARVEY MITCHELL PKWY.  
BRYAN, TX 77803

PHONE: (979) 823-6557  
FAX: (979) 823-1005

MEMO NO. 8097-10

DESCRIPTION:  
**E4000 PROJECT OUT BOM**

| REVISIONS |                       |         |
|-----------|-----------------------|---------|
| A         | EDIT DETAILS TO 2010  | 2/13/14 |
| B         | ADDED E3250 AND E4000 | 5/7/14  |

SCALE: DETAILS: FULL ELEV: 3/4" = 1"

DRAWN BY: JKY

DATE DRAWN: 10/31/13

PAGE NO. **6 OF 6**