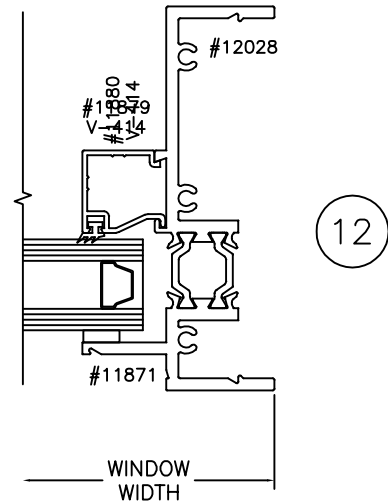
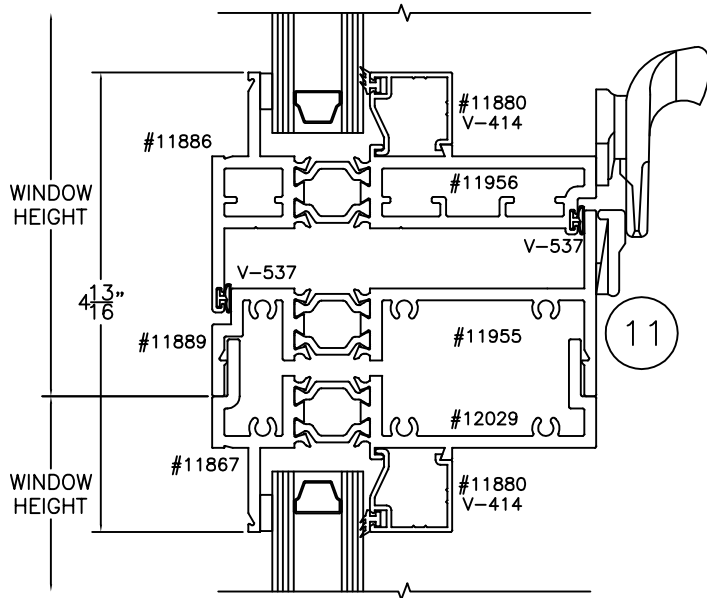
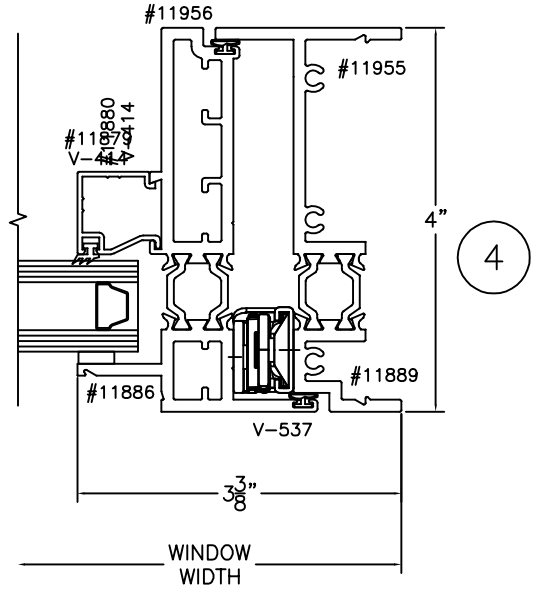
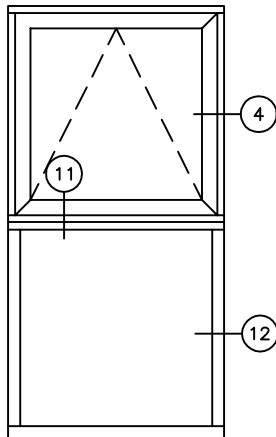


ALL SEASONS
 ARCHITECTURAL WINDOWS MFG.
 1293 N. Harvey Mitchell Pkwy.
 Phone: (979) 823-6557
 Fax: (979) 823-1005

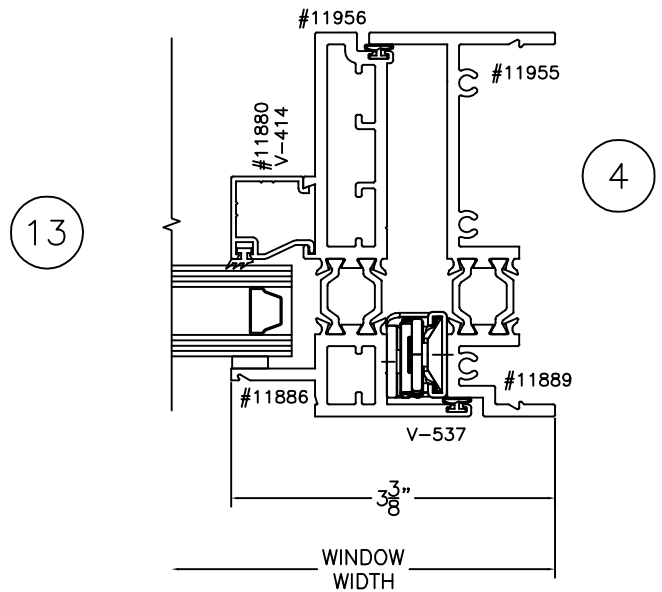
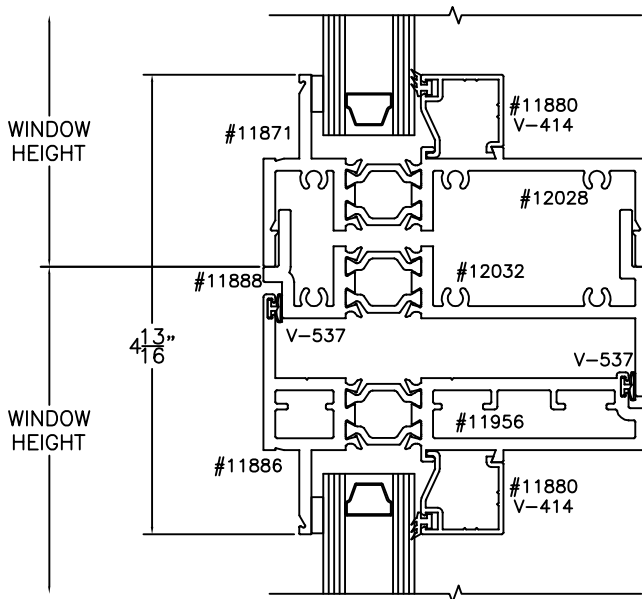
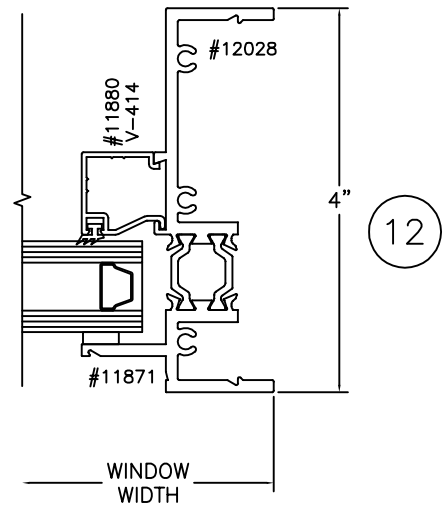
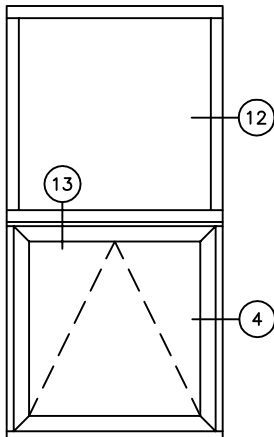
IMPACT:	NO	COMPATIBLE SERIES:	E4000	SCALE:	1:2	REVISION:	B	
BLAST:	NO	E4000FF	DESCRIPTION: E4000 PROJECT OUT CROSS SECTIONS					
TDI NO:	WIN-2018	E4000COS						
FLORIDA NO:	FL17125							
THIS DRAWING CONTAINS CONFIDENTIAL INFORMATION WHICH IS THE PROPERTY OF ALL SEASONS. RECEIPT OR POSSESSION OF REPRODUCTIONS OF THIS DRAWING OR POSSESSION OF REPRODUCTIONS OF THIS DRAWING DOES NOT CONFER ANY RIGHTS OR LICENSE TO USE INFORMATION CONTAINED HEREIN WITHOUT THE WRITTEN CONSENT OF ALL SEASONS.			DRAWN BY:	T.Jobb	DATE DRAWN:	1/28/14	SHEET SIZE:	A

SHEET NUMBER
 1 OF 7



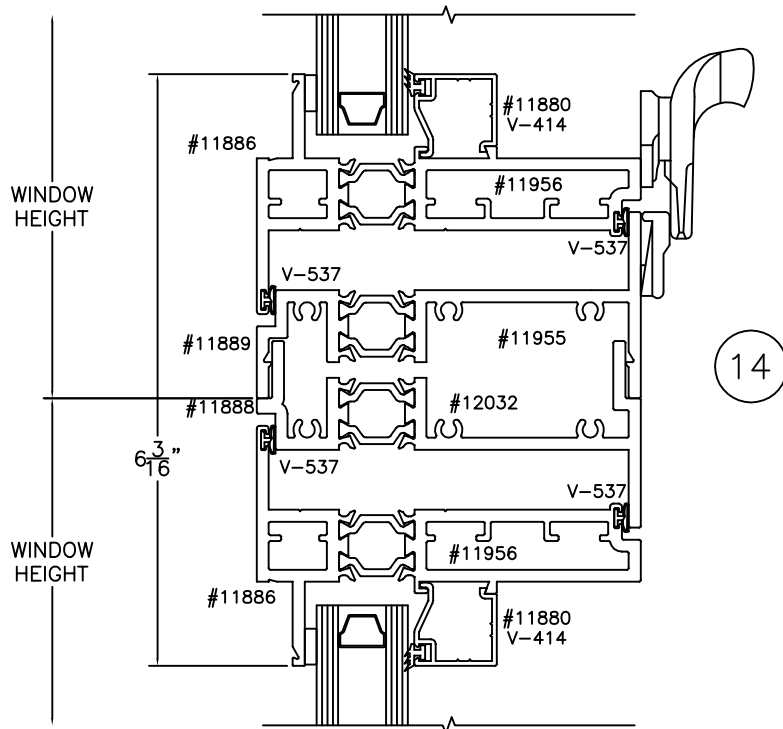
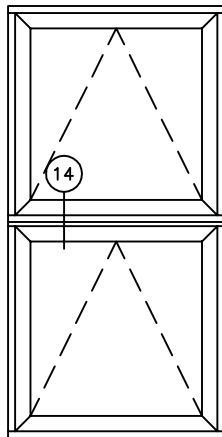
ALL SEASONS
 ARCHITECTURAL WINDOWS MFG.
 1293 N. Harvey Mitchell Pkwy.
 Phone: (979) 823-6557
 Fax: (979) 823-1005

IMPACT:	NO	COMPATIBLE SERIES:	FAMILY:	E4000	SCALE:	1:2	REVISION:	B	SHEET NUMBER
BLAST:	NO	E4000FF	DESCRIPTION:	E4000 PROJECT OUT STACKING DETAILS, PROJECT OVER FIXED					
TDI NO:	WIN-2018	E4000COS	THIS DRAWING CONTAINS CONFIDENTIAL INFORMATION WHICH IS THE PROPERTY OF ALL SEASONS. RECEIPT OR POSSESSION OF REPRODUCTIONS OF THIS DRAWING OR POSSESSION OF REPRODUCTIONS OF THIS DRAWING DOES NOT CONFER ANY RIGHTS OR LICENSE TO USE INFORMATION CONTAINED HEREIN WITHOUT THE WRITTEN CONSENT OF ALL SEASONS.						
FLORIDA NO:	FL17125								
			DRAWN BY:	T.JOBB	DATE DRAWN:	1/28/14	SHEET SIZE:	A	2 OF 7

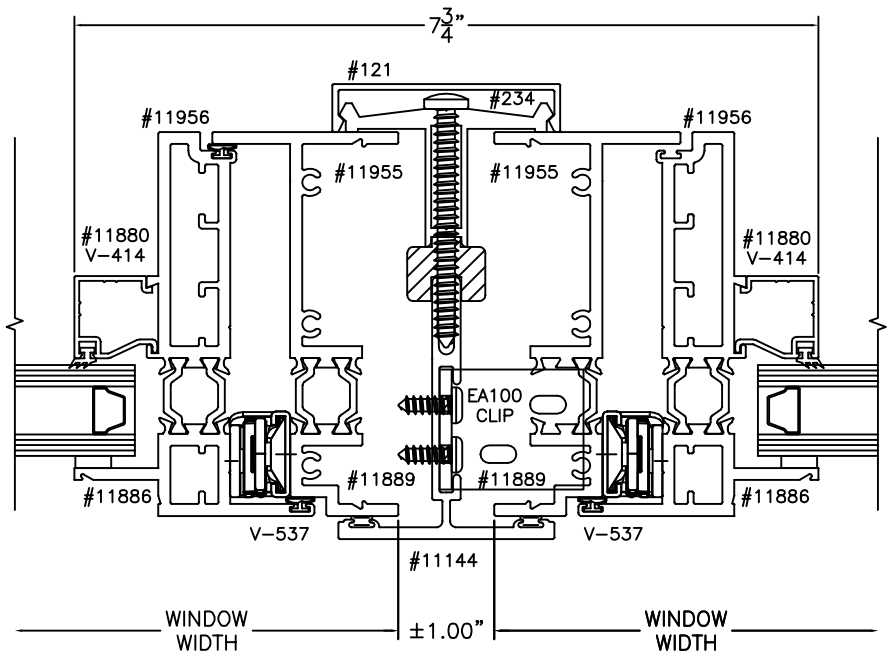
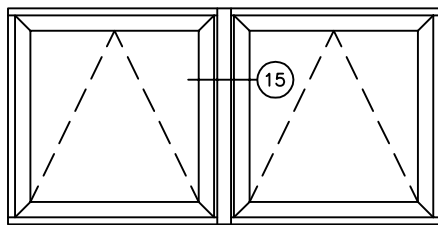


ALL SEASONS
 ARCHITECTURAL WINDOWS MFG.
 1293 N. Harvey Mitchell Pkwy.
 Phone: (979) 823-6557
 Fax: (979) 823-1005

IMPACT:	NO	COMPATIBLE SERIES:	FAMILY:	E4000	SCALE:	1:2	REVISION:	B	SHEET NUMBER
BLAST:	NO	E4000FF	DESCRIPTION:	E4000 PROJECT OUT STACKING DETAILS, FIXED OVER PROJECT					
TDI NO:	WIN-2018	E4000COS	THIS DRAWING CONTAINS CONFIDENTIAL INFORMATION WHICH IS THE PROPERTY OF ALL SEASONS. RECEIPT OR POSSESSION OF REPRODUCTIONS OF THIS DRAWING OR POSSESSION OF REPRODUCTIONS OF THIS DRAWING DOES NOT CONFER ANY RIGHTS OR LICENSE TO USE INFORMATION CONTAINED HEREIN WITHOUT THE WRITTEN CONSENT OF ALL SEASONS.						
FLORIDA NO:	FL17125								
			DRAWN BY:	T.JOBB	DATE DRAWN:	1/28/14	SHEET SIZE:	A	3 OF 7



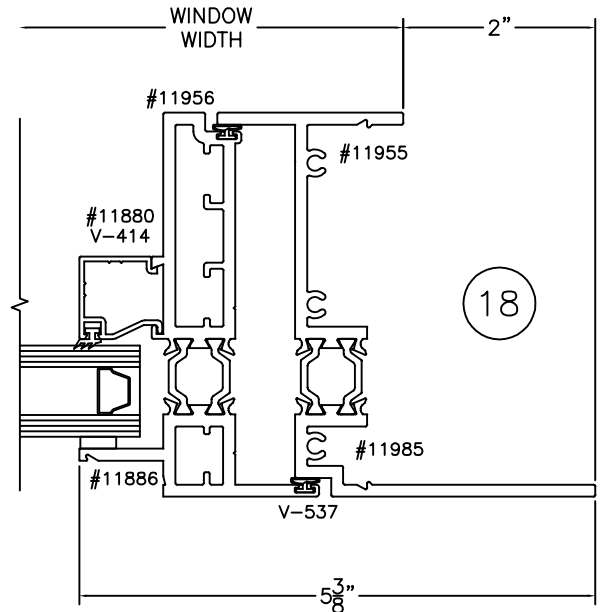
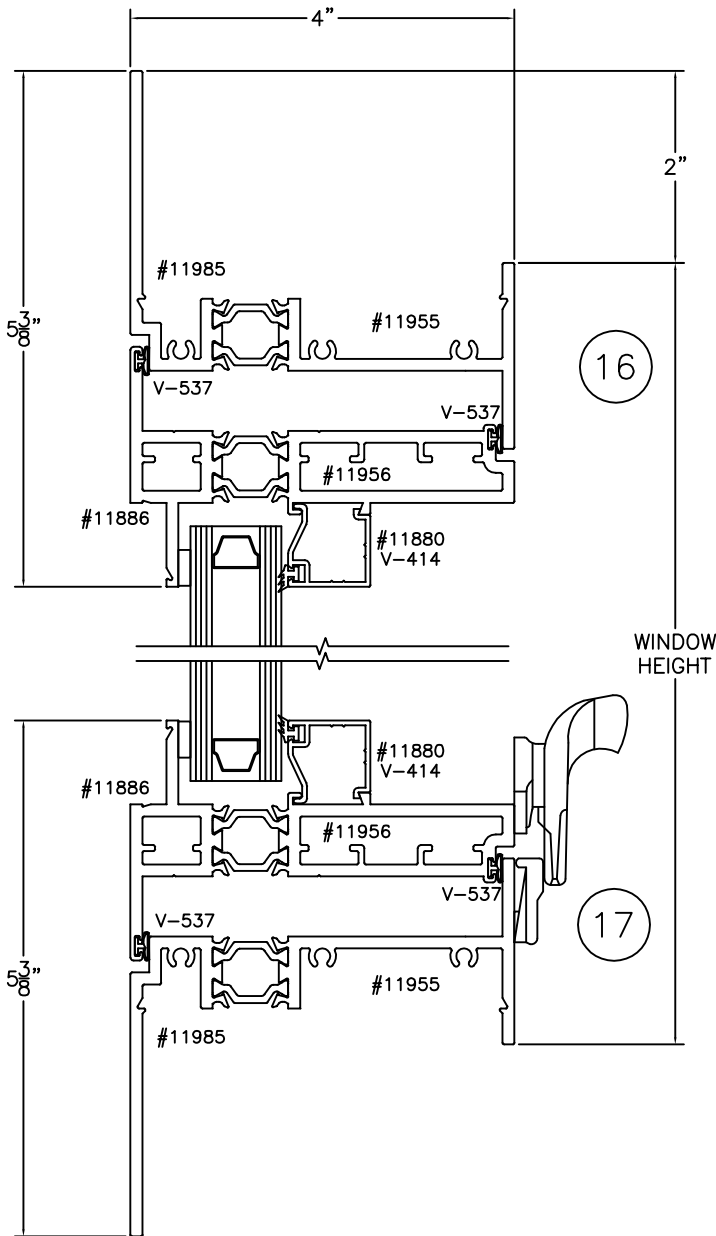
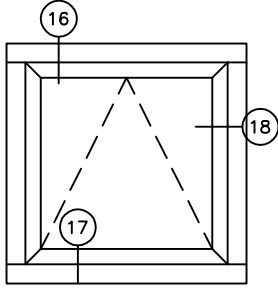
15



ALL SEASONS
 ARCHITECTURAL WINDOWS MFG.
 1293 N. Harvey Mitchell Pkwy.
 Phone: (979) 823-6557
 Fax: (979) 823-1005

IMPACT:	NO	COMPATIBLE SERIES:	FAMILY:	E4000	SCALE:	1:2	REVISION:	B
BLAST:	NO	E4000FF	DESCRIPTION:	E4000 PROJECT OUT STACKING AND MULLING DETAILS,				
TDI NO:	WIN-2018	E4000COS						
FLORIDA NO:	FL17125		THIS DRAWING CONTAINS CONFIDENTIAL INFORMATION WHICH IS THE PROPERTY OF ALL SEASONS. RECEIPT OR POSSESSION OF REPRODUCTIONS OF THIS DRAWING OR POSSESSION OF REPRODUCTIONS OF THIS DRAWING DOES NOT CONFER ANY RIGHTS OR LICENSE TO USE INFORMATION CONTAINED HEREIN WITHOUT THE WRITTEN CONSENT OF ALL SEASONS.					
			DRAWN BY:	T.JOBB	DATE DRAWN:	1/28/14	SHEET SIZE:	A

SHEET NUMBER
 4
 OF
 7

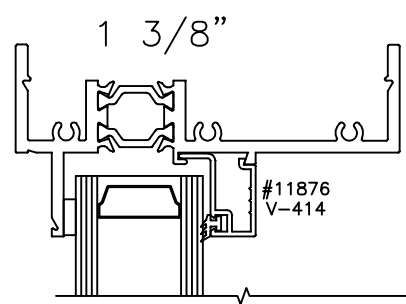
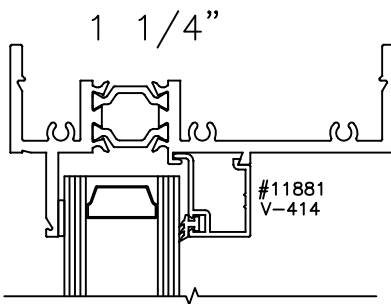
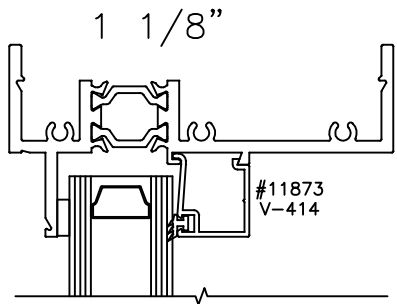
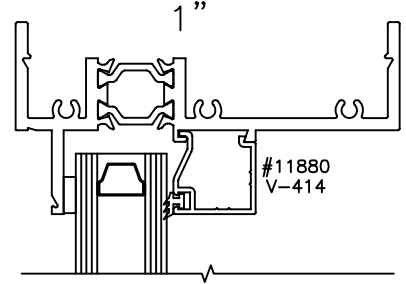
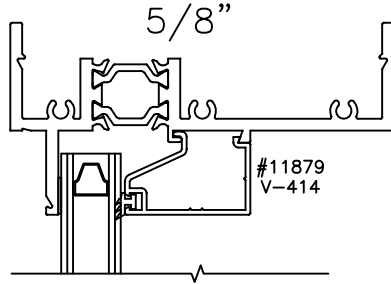
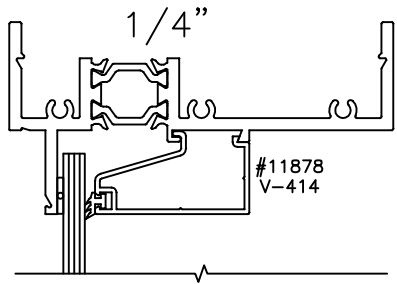


ALL SEASONS
ARCHITECTURAL WINDOWS MFG.

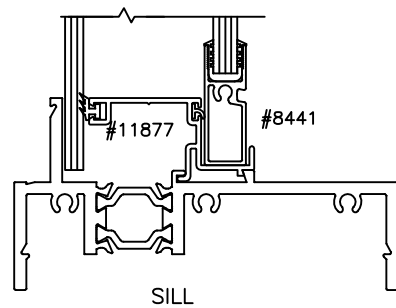
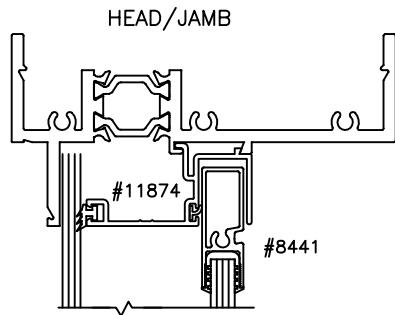
1293 N. Harvey Mitchell Pkwy.
Phone: (979) 823-6557
Fax: (979) 823-1005

IMPACT:	NO	COMPATIBLE SERIES:	E4000	SCALE:	1:2	REVISION:	B	
BLAST:	NO	E4000FF	DESCRIPTION: E4000 PROJECT OUT FRONT FLANGE CROSS SECTIONS					
TDI NO:	WIN-2018	E4000COS						
FLORIDA NO:	FL17125	THIS DRAWING CONTAINS CONFIDENTIAL INFORMATION WHICH IS THE PROPERTY OF ALL SEASONS. RECEIPT OR POSSESSION OF REPRODUCTIONS OF THIS DRAWING OR POSSESSION OF REPRODUCTIONS OF THIS DRAWING DOES NOT CONFER ANY RIGHTS OR LICENSE TO USE INFORMATION CONTAINED HEREIN WITHOUT THE WRITTEN CONSENT OF ALL SEASONS.						
DRAWN BY:			T.Jobb	DATE DRAWN:		1/28/14	SHEET SIZE:	A

SHEET NUMBER
5
OF
7



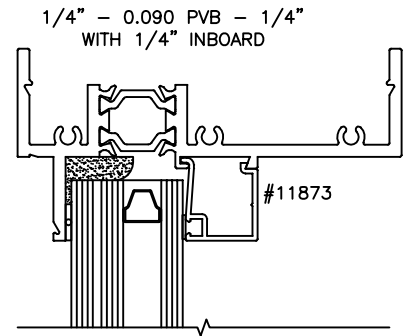
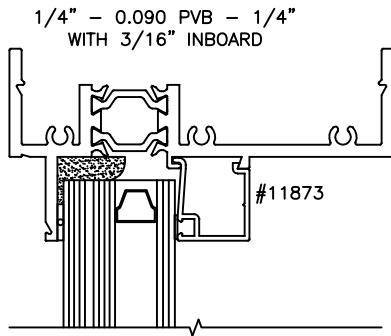
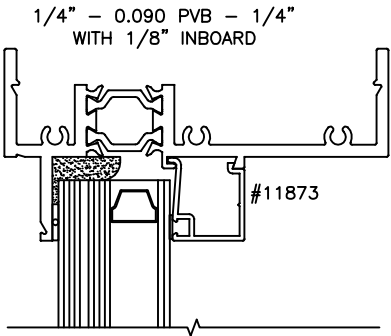
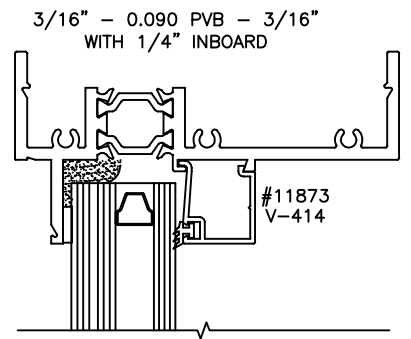
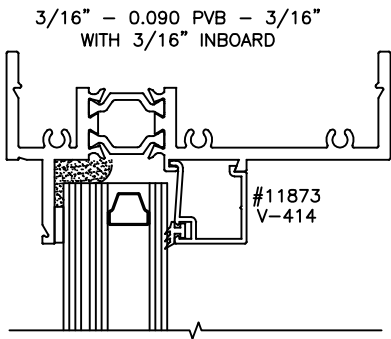
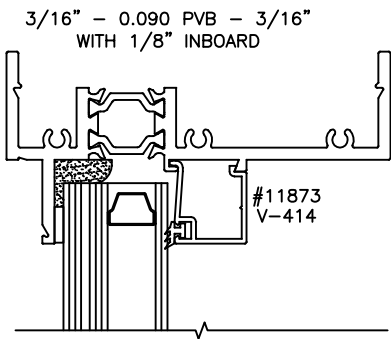
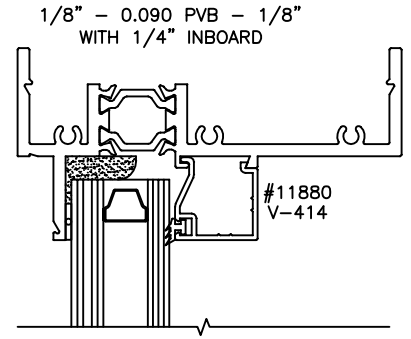
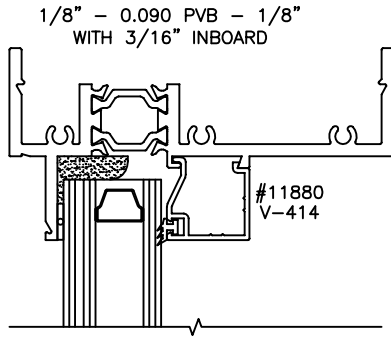
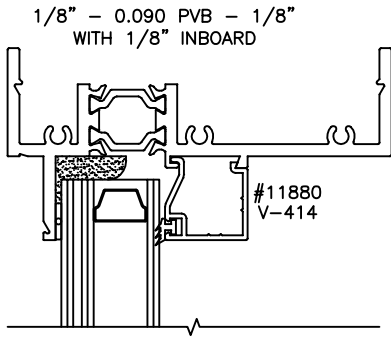
LIFT OUT SPLIT SASH



ALL SEASONS
 ARCHITECTURAL WINDOWS MFG.
 1293 N. Harvey Mitchell Pkwy.
 Phone: (979) 823-6557
 Fax: (979) 823-1005

IMPACT:	NO	COMPATIBLE SERIES:	E4000FF	FAMILY:	E4000	SCALE:	1:2	REVISION:	B	SHEET NUMBER
BLAST:	NO	TDI NO:	WIN-2018	DESCRIPTION: E4000 PROJECT OUT NON-IMPACT GLAZING DETAILS						
FLORIDA NO:	FL17125	E4000COS		THIS DRAWING CONTAINS CONFIDENTIAL INFORMATION WHICH IS THE PROPERTY OF ALL SEASONS. RECEIPT OR POSSESSION OF REPRODUCTIONS OF THIS DRAWING OR POSSESSION OF REPRODUCTIONS OF THIS DRAWING DOES NOT CONFER ANY RIGHTS OR LICENSE TO USE INFORMATION CONTAINED HEREIN WITHOUT THE WRITTEN CONSENT OF ALL SEASONS.						
				DRAWN BY:	T.JOBB	DATE DRAWN:	1/28/14	SHEET SIZE:		A

6
OF
7



ALL SEASONS
ARCHITECTURAL WINDOWS MFG.
1293 N. Harvey Mitchell Pkwy.
Phone: (979) 823-6557
Fax: (979) 823-1005

IMPACT:	NO	COMPATIBLE SERIES:	FAMILY: E4000	SCALE:	1:2	REVISION:	B	SHEET NUMBER
BLAST:	NO	E4000FF	DESCRIPTION: E4000 PROJECT OUT LAMINATED GLAZING DETAILS					
TDI NO:	WIN-2018	E4000COS						THIS DRAWING CONTAINS CONFIDENTIAL INFORMATION WHICH IS THE PROPERTY OF ALL SEASONS. RECEIPT OR POSSESSION OF REPRODUCTIONS OF THIS DRAWING OR POSSESSION OF REPRODUCTIONS OF THIS DRAWING DOES NOT CONFER ANY RIGHTS OR LICENSE TO USE INFORMATION CONTAINED HEREIN WITHOUT THE WRITTEN CONSENT OF ALL SEASONS.
FLORIDA NO:	FL17125							