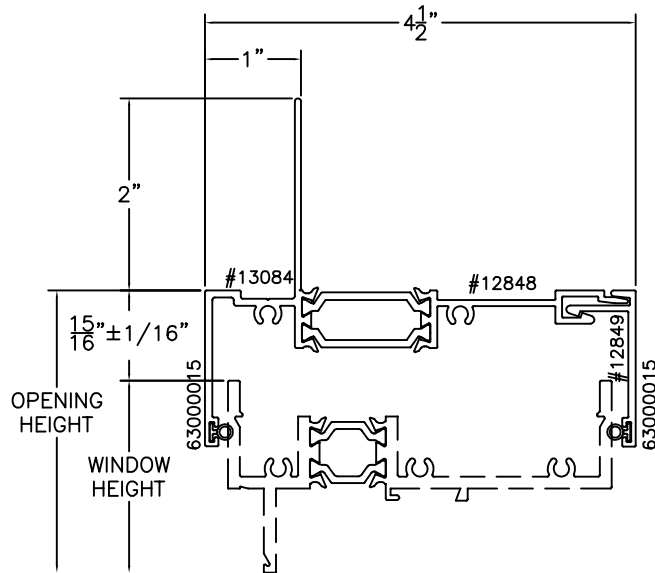
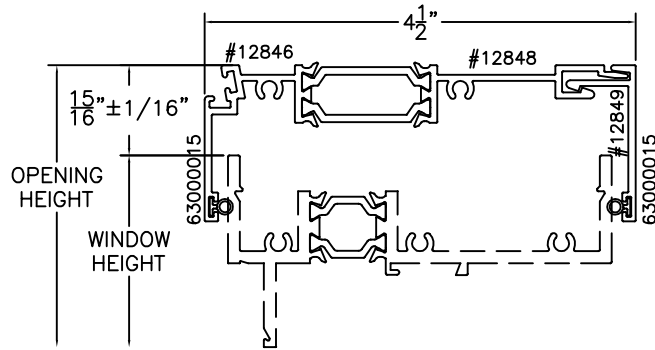



PART NO.	EXTRUSION	MATING COMPONENT	DESCRIPTION	SHEET
E.402.001.STR	E.12846	E.12849	4" FRAME HEAD/JAMB CLOSURE (4½" DEPTH)	1 OF 1
	E.12848			
E.402.021.STR	E.13084	E.12849	4" FRAME HEAD/JAMB CLOSURE WITH NAIL FIN (4½" DEPTH)	1 OF 1
	E.12848			



 1293 N. Harvey Mitchell Pkwy. Phone: (979) 823-6557 Fax: (979) 823-1005	IMPACT:	NO	COMPATIBLE SERIES:	FAMILY:	E4000	SCALE:	1:2	REVISION:	C	SHEET NUMBER
	BLAST:	NO	E4000FF	DESCRIPTION:						
	TDI NO:		E4000PO	E4000 FAMILY SURROUNDS HEAD AND JAMB CLOSURES						
	FLORIDA NO:		E4000COS							
			E4000FO	THIS DRAWING CONTAINS CONFIDENTIAL INFORMATION WHICH IS THE PROPERTY OF ALL SEASONS. RECEIPT OR POSSESSION OF REPRODUCTIONS OF THIS DRAWING OR POSSESSION OF REPRODUCTIONS OF THIS DRAWING DOES NOT CONFER ANY RIGHTS OR LICENSE TO USE INFORMATION CONTAINED HEREIN WITHOUT THE WRITTEN CONSENT OF ALL SEASONS.						
				DRAWN BY:	K.Kernell	DATE DRAWN:	07/25/14	SHEET SIZE:	A	1 OF 1