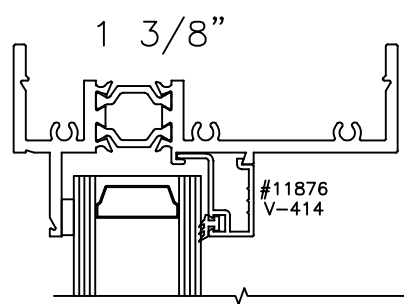
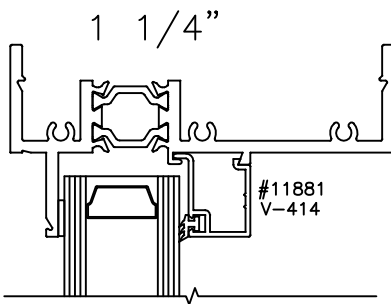
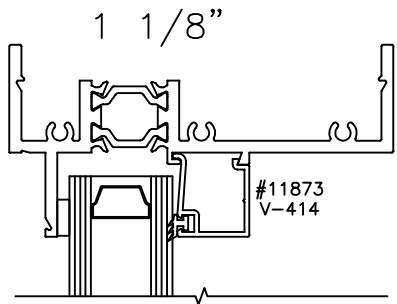
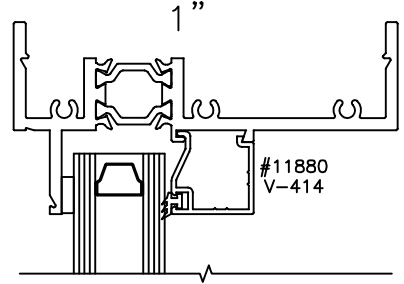
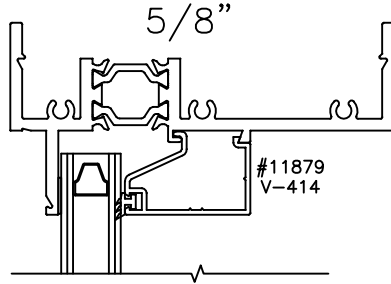
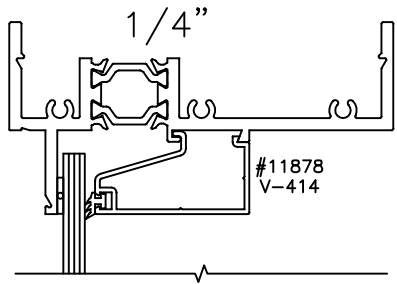
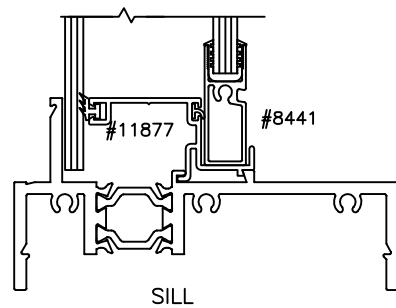
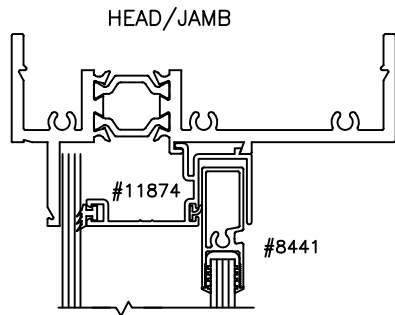


ALL SEASONS
 ARCHITECTURAL WINDOWS MFG.
 1293 N. Harvey Mitchell Pkwy.
 Phone: (979) 823-6557
 Fax: (979) 823-1005

IMPACT:	NO	COMPATIBLE SERIES:	FAMILY:	E4000	SCALE:	1:2	REVISION:	B	SHEET NUMBER
BLAST:	NO	E4000FF	DESCRIPTION:	E4000 CASEMENT OUT SWING CROSS SECTIONS					
TDI NO:	WIN-2017	E4000PO	THIS DRAWING CONTAINS CONFIDENTIAL INFORMATION WHICH IS THE PROPERTY OF ALL SEASONS. RECEIPT OR POSSESSION OF REPRODUCTIONS OF THIS DRAWING OR POSSESSION OF REPRODUCTIONS OF THIS DRAWING DOES NOT CONFIR ANY RIGHTS OR LICENSE TO USE INFORMATION CONTAINED HEREIN WITHOUT THE WRITTEN CONSENT OF ALL SEASONS.						
FLORIDA NO:	FL17123								
			DRAWN BY:	T.Jobb	DATE DRAWN:	1/28/14	SHEET SIZE:	A	1 OF 3



LIFT OUT SASH



ALL SEASONS
 ARCHITECTURAL WINDOWS MFG.
 1293 N. Harvey Mitchell Pkwy.
 Phone: (979) 823-6557
 Fax: (979) 823-1005

IMPACT:	NO	COMPATIBLE SERIES:	FAMILY:	E4000	SCALE:	1:2	REVISION:	B	SHEET NUMBER
BLAST:	NO	E4000FF	DESCRIPTION:	E4000 CASEMENT OUT SWING NON-IMPACT GLAZING DETAILS					
TDI NO:	WIN-2017	E4000PO	THIS DRAWING CONTAINS CONFIDENTIAL INFORMATION WHICH IS THE PROPERTY OF ALL SEASONS. RECEIPT OR POSSESSION OF REPRODUCTIONS OF THIS DRAWING OR POSSESSION OF REPRODUCTIONS OF THIS DRAWING DOES NOT CONFER ANY RIGHTS OR LICENSE TO USE INFORMATION CONTAINED HEREIN WITHOUT THE WRITTEN CONSENT OF ALL SEASONS.						
FLORIDA NO:	FL17123								

3
OF
3