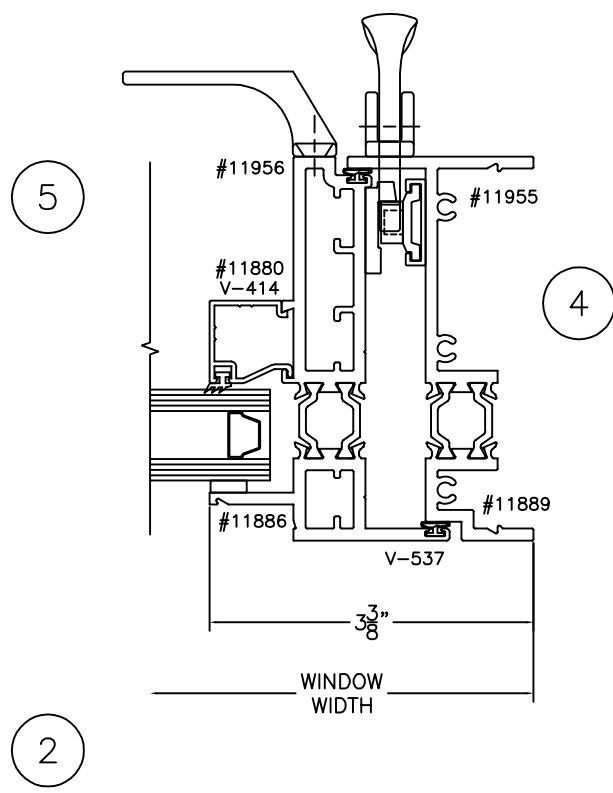
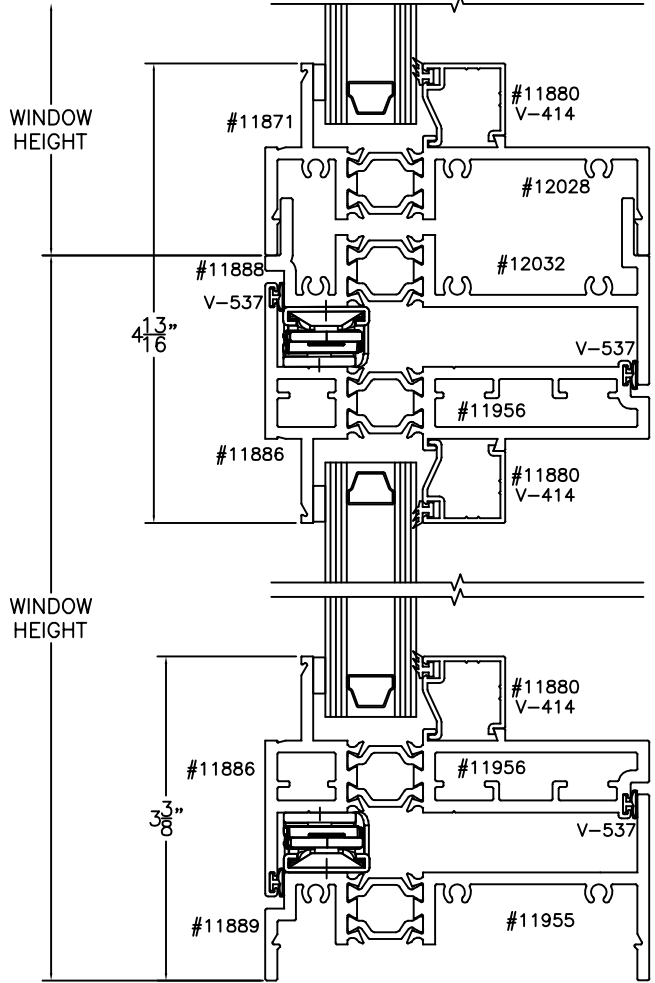
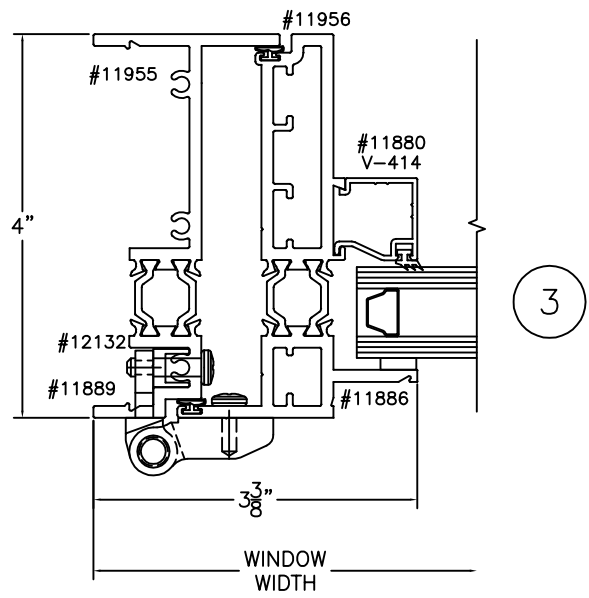
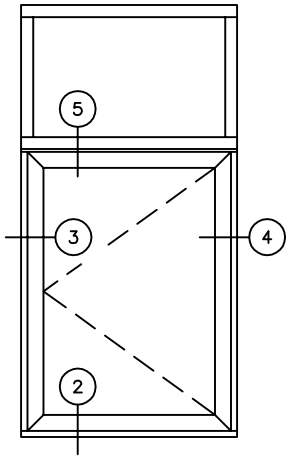


OPTIONAL TRUE MUNTIN, VERTICAL OR HORIZONTAL (HOR. SHOWN)

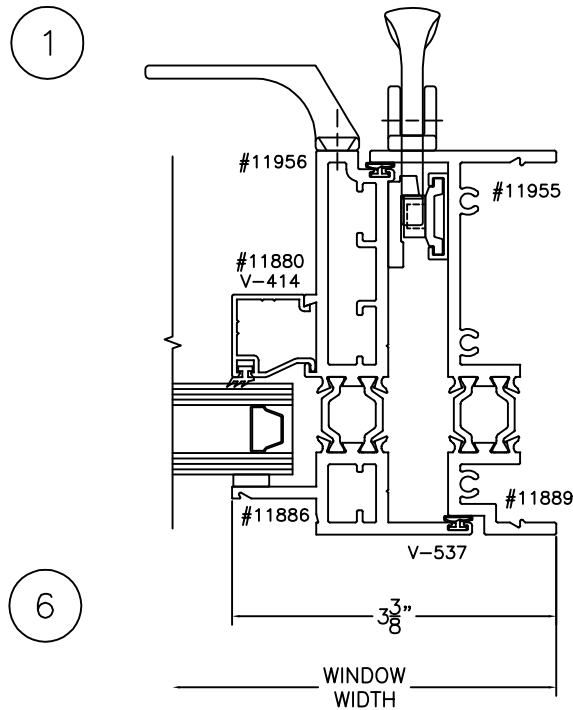
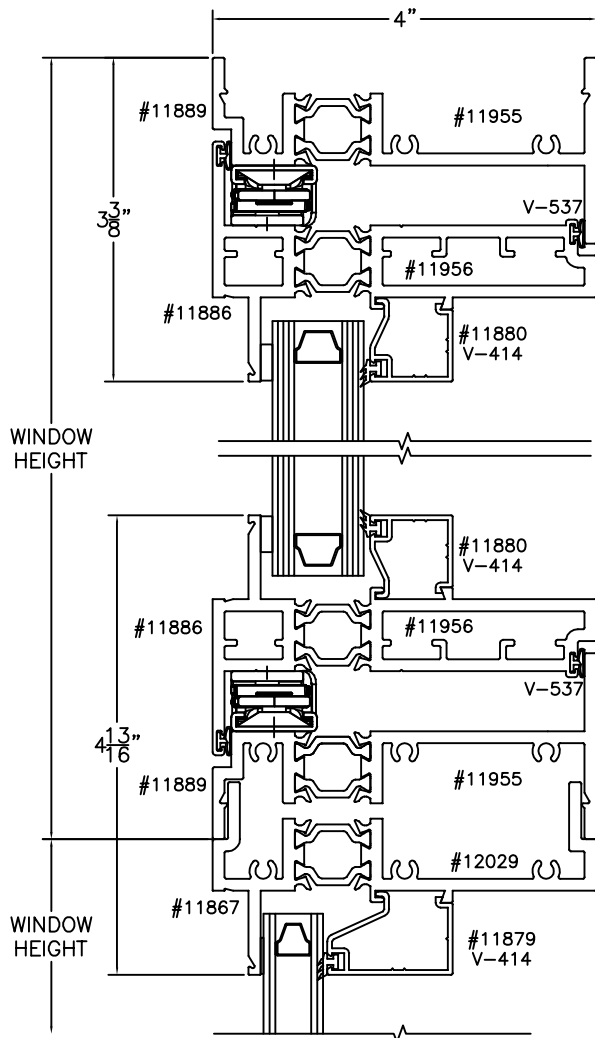
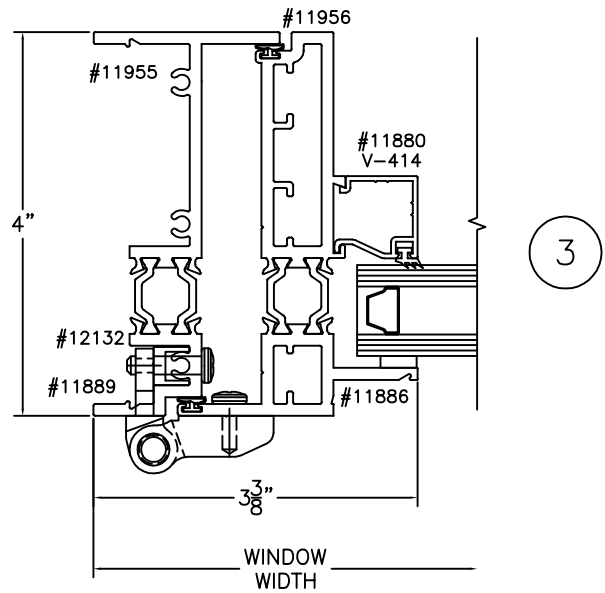
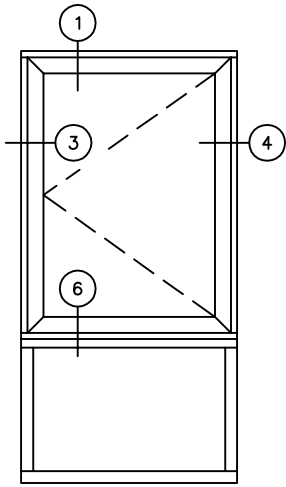
OPTIONAL BEVELED GLAZING ADAPTOR

<p>1293 N. Harvey Mitchell Pkwy. Phone: (979) 823-6557 Fax: (979) 823-1005</p>	IMPACT:	NO	COMPATIBLE SERIES:	E4000	SCALE:	1:2	REVISION:	B	SHEET NUMBER
	BLAST:	NO	E4000FF	DESCRIPTION:					
	TDI NO:	WIN-2017	E4000PO	E4000 CASEMENT OUT SWING CROSS SECTIONS					
	FLORIDA NO:	FL17123							
				THIS DRAWING CONTAINS CONFIDENTIAL INFORMATION WHICH IS THE PROPERTY OF ALL SEASONS. RECEIPT OR POSSESSION OF REPRODUCTIONS OF THIS DRAWING OR POSSESSION OF REPRODUCTIONS OF THIS DRAWING DOES NOT CONFIR ANY RIGHTS OR LICENSE TO USE INFORMATION CONTAINED HEREIN WITHOUT THE WRITTEN CONSENT OF ALL SEASONS.					
			DRAWN BY:	T.Jobb	DATE DRAWN:	1/28/14	SHEET SIZE:	A	1 OF 7



ALL SEASONS
 ARCHITECTURAL WINDOWS MFG.
 1293 N. Harvey Mitchell Pkwy.
 Phone: (979) 823-6557
 Fax: (979) 823-1005

IMPACT:	NO	COMPATIBLE SERIES:	E4000	SCALE:	1:2	REVISION:	B	SHEET NUMBER
BLAST:	NO	E4000FF	DESCRIPTION: E4000 CASEMENT OUT SWING DETAILS, FIXED OVER CASEMENT					
TDI NO:	WIN-2017	E4000PO						
FLORIDA NO:			DRAWN BY: T.JOBB DATE DRAWN: 1/28/14 SHEET SIZE: A					
FL17123								

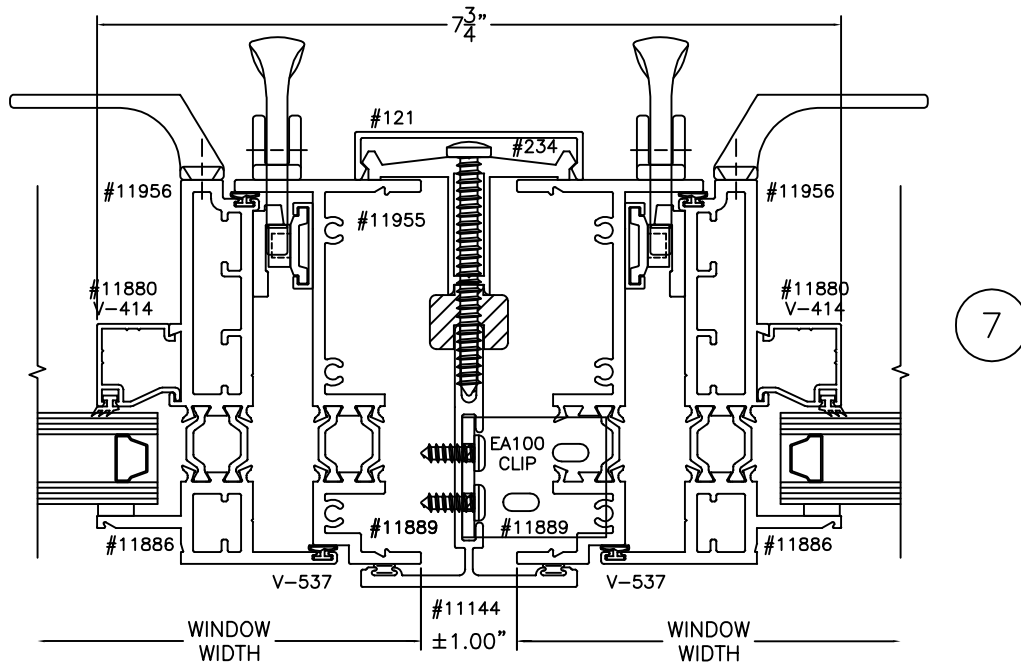
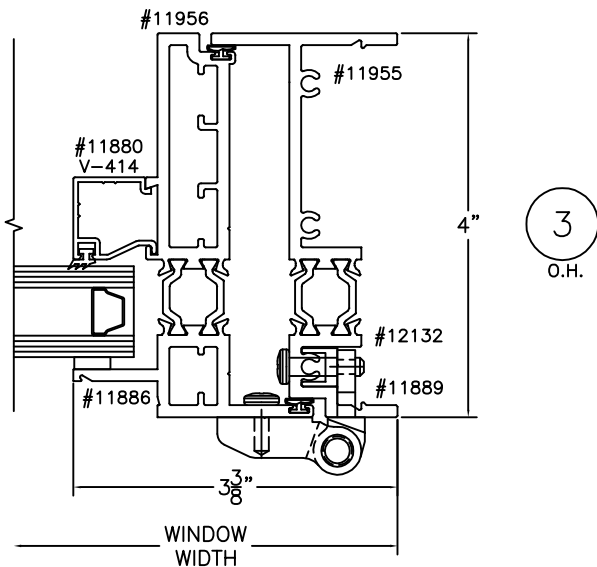
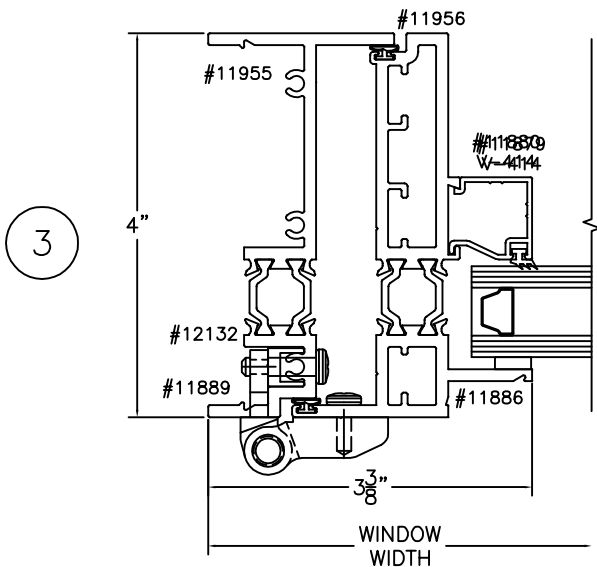
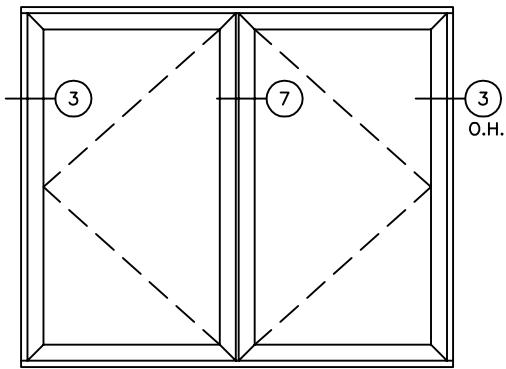


ALL SEASONS
 ARCHITECTURAL WINDOWS MFG.
 1293 N. Harvey Mitchell Pkwy.
 Phone: (979) 823-6557
 Fax: (979) 823-1005

IMPACT:	NO	COMPATIBLE SERIES:	
BLAST:	NO	E4000FF	
TDI NO:	WIN-2017	E4000PO	
FLORIDA NO:			
	FL17123		

FAMILY:	E4000	SCALE:	1:2	REVISION:	B
DESCRIPTION:	E4000 CASEMENT OUT SWING DETAILS, CASEMENT OVER FIXED				
THIS DRAWING CONTAINS CONFIDENTIAL INFORMATION WHICH IS THE PROPERTY OF ALL SEASONS. RECEIPT OR POSSESSION OF REPRODUCTIONS OF THIS DRAWING OR POSSESSION OF REPRODUCTIONS OF THIS DRAWING DOES NOT CONFER ANY RIGHTS OR LICENSE TO USE INFORMATION CONTAINED HEREIN WITHOUT THE WRITTEN CONSENT OF ALL SEASONS.					
DRAWN BY:	T.JOBB	DATE DRAWN:	1/28/14	SHEET SIZE:	A

SHEET NUMBER
3
 OF
7

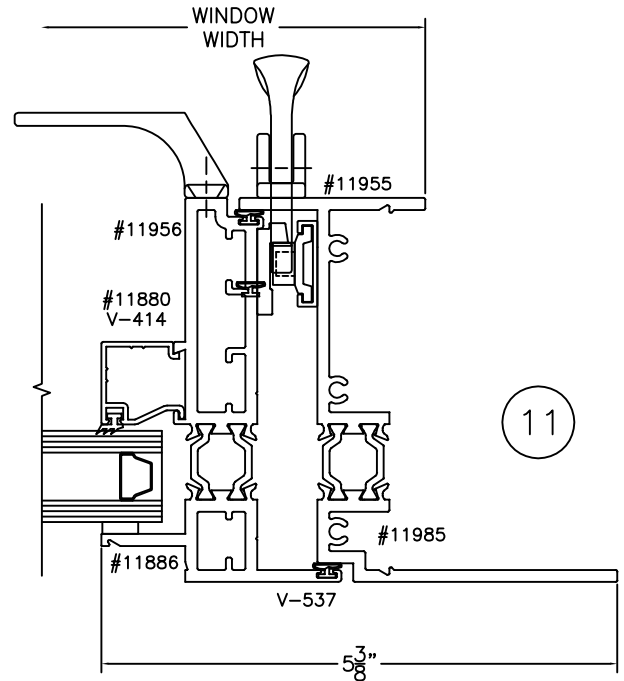
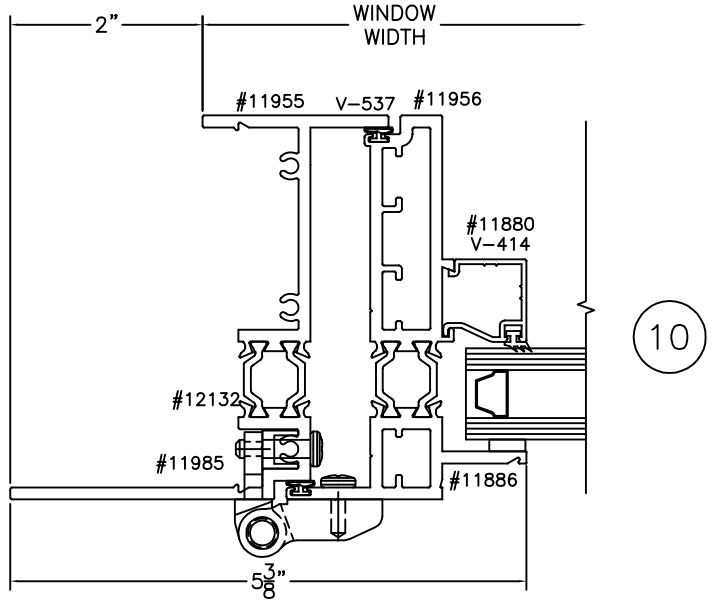
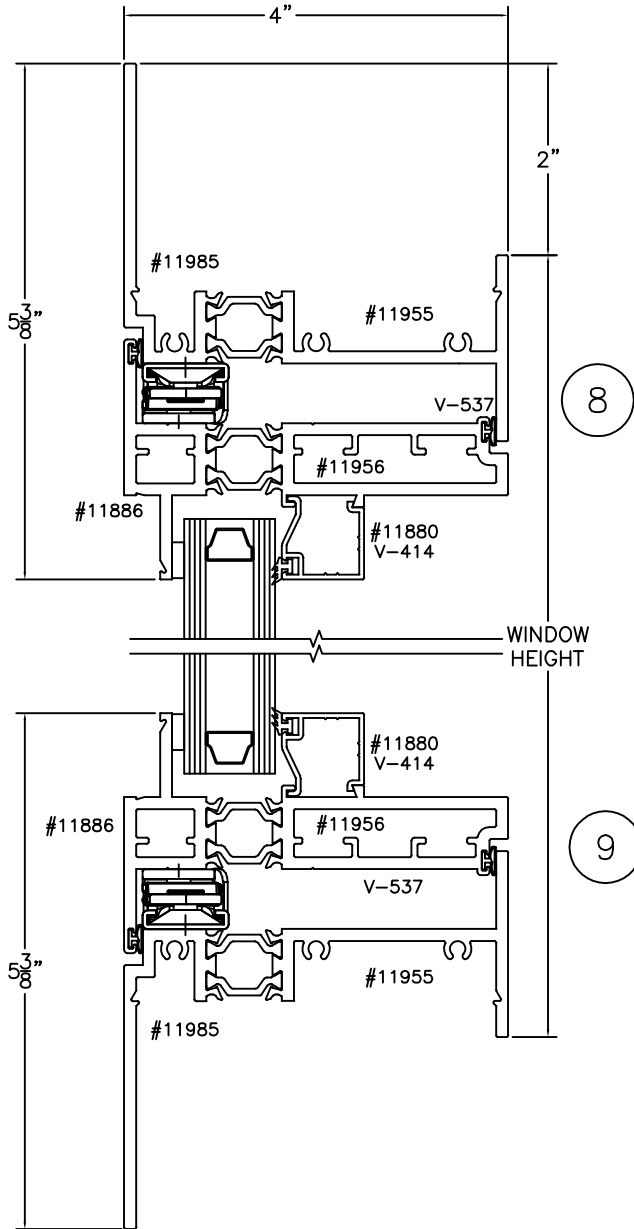
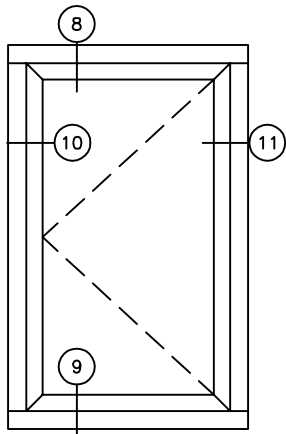


ALL SEASONS
 ARCHITECTURAL WINDOWS MFG.
 1293 N. Harvey Mitchell Pkwy.
 Phone: (979) 823-6557
 Fax: (979) 823-1005

IMPACT:	NO	COMPATIBLE SERIES:	E4000FF
BLAST:	NO		E4000PO
TDI NO:	WIN-2017		
FLORIDA NO:			
	FL17123		

FAMILY:	E4000	SCALE:	1:2	REVISION:	B
DESCRIPTION:	E4000 CASEMENT OUT SWING MULLING DETAILS				
THIS DRAWING CONTAINS CONFIDENTIAL INFORMATION WHICH IS THE PROPERTY OF ALL SEASONS. RECEIPT OR POSSESSION OF REPRODUCTIONS OF THIS DRAWING OR POSSESSION OF REPRODUCTIONS OF THIS DRAWING DOES NOT CONFER ANY RIGHTS OR LICENSE TO USE INFORMATION CONTAINED HEREIN WITHOUT THE WRITTEN CONSENT OF ALL SEASONS.					
DRAWN BY:	T.JOBB	DATE DRAWN:	1/28/14	SHEET SIZE:	A

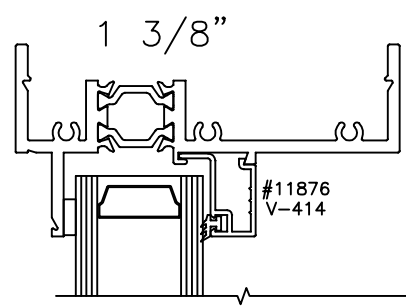
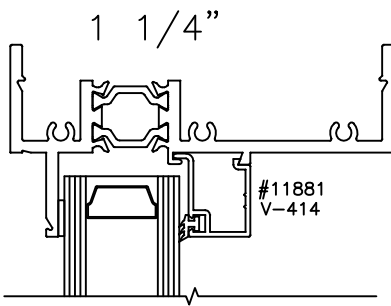
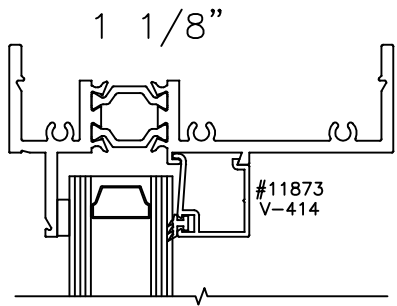
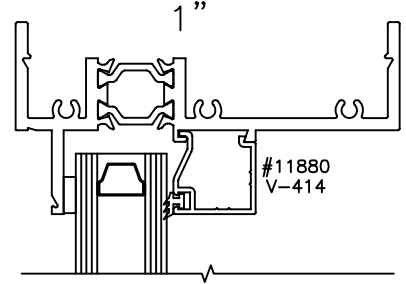
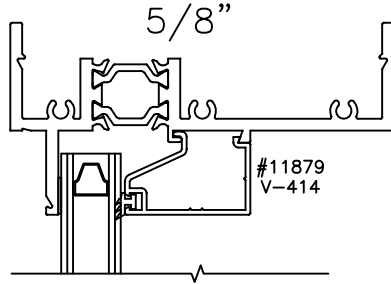
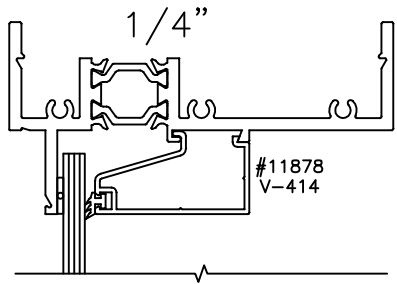
SHEET NUMBER
4
 OF
7



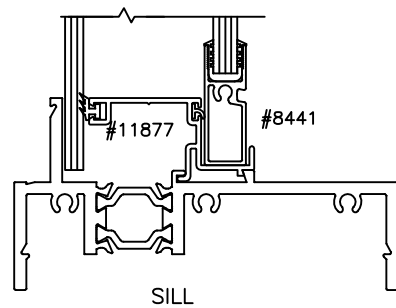
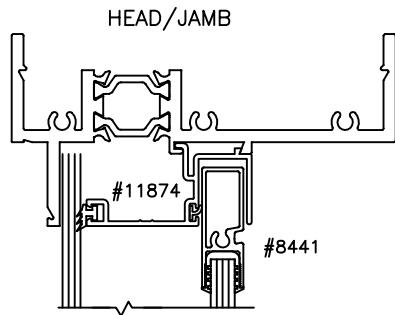
ALL SEASONS
 ARCHITECTURAL WINDOWS MFG.
 1293 N. Harvey Mitchell Pkwy.
 Phone: (979) 823-6557
 Fax: (979) 823-1005

IMPACT:	NO	COMPATIBLE SERIES:	FAMILY:	E4000	SCALE:	1:2	REVISION:	B	SHEET NUMBER
BLAST:	NO	E4000FF	DESCRIPTION:	E4000 CASEMENT OUT SWING FRONT FLANGE CROSS SECTIONS					
TDI NO:	WIN-2017	E4000PO	THIS DRAWING CONTAINS CONFIDENTIAL INFORMATION WHICH IS THE PROPERTY OF ALL SEASONS. RECEIPT OR POSSESSION OF REPRODUCTIONS OF THIS DRAWING OR POSSESSION OF REPRODUCTIONS OF THIS DRAWING DOES NOT CONFER ANY RIGHTS OR LICENSE TO USE INFORMATION CONTAINED HEREIN WITHOUT THE WRITTEN CONSENT OF ALL SEASONS.						
FLORIDA NO:	FL17123								

5 OF 7

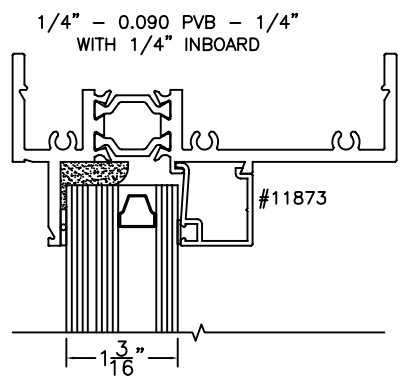
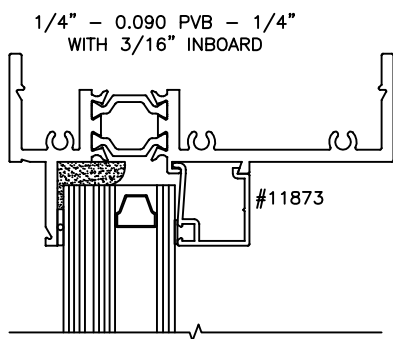
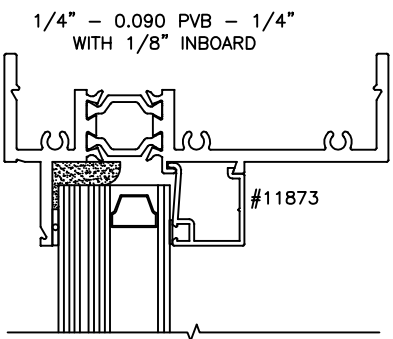
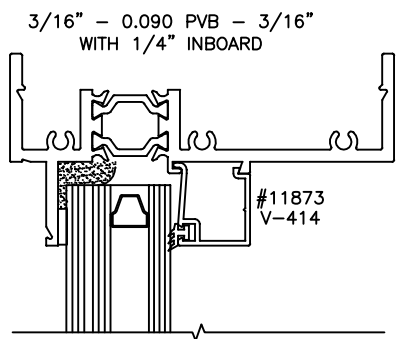
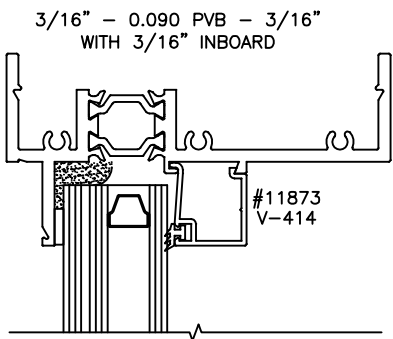
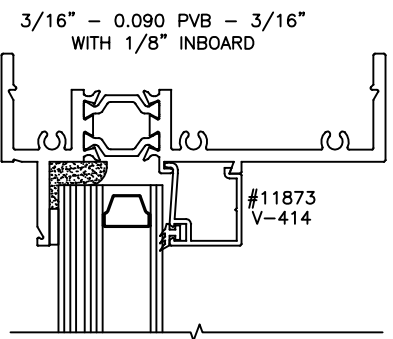
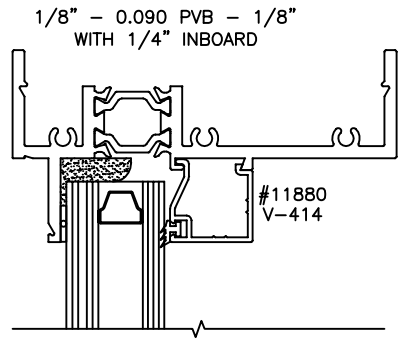
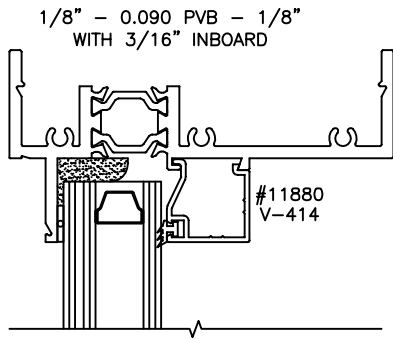
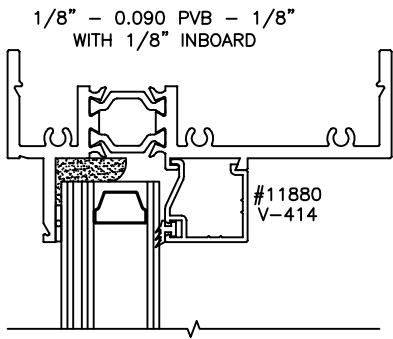


LIFT OUT SPLIT SASH



ALL SEASONS
 ARCHITECTURAL WINDOWS MFG.
 1293 N. Harvey Mitchell Pkwy.
 Phone: (979) 823-6557
 Fax: (979) 823-1005

IMPACT:	NO	COMPATIBLE SERIES:	FAMILY:	E4000	SCALE:	1:2	REVISION:	B	SHEET NUMBER
BLAST:	NO	E4000FF	DESCRIPTION:	E4000 CASEMENT OUT SWING NON-IMPACT GLAZING DETAILS					
TDI NO:	WIN-2017	E4000PO	THIS DRAWING CONTAINS CONFIDENTIAL INFORMATION WHICH IS THE PROPERTY OF ALL SEASONS. RECEIPT OR POSSESSION OF REPRODUCTIONS OF THIS DRAWING OR POSSESSION OF REPRODUCTIONS OF THIS DRAWING DOES NOT CONFER ANY RIGHTS OR LICENSE TO USE INFORMATION CONTAINED HEREIN WITHOUT THE WRITTEN CONSENT OF ALL SEASONS.						
FLORIDA NO:	FL17123								



ALL SEASONS
ARCHITECTURAL WINDOWS MFG.
1293 N. Harvey Mitchell Pkwy.
Phone: (979) 823-6557
Fax: (979) 823-1005

IMPACT:	NO	COMPATIBLE SERIES:	FAMILY:	E4000	SCALE:	1:2	REVISION:	B	SHEET NUMBER
BLAST:	NO	E4000FF	DESCRIPTION:	E4000 CASEMENT OUT SWING LAMINATED GLAZING DETAILS					
TDI NO:	WIN-2017	E4000PO	THIS DRAWING CONTAINS CONFIDENTIAL INFORMATION WHICH IS THE PROPERTY OF ALL SEASONS. RECEIPT OR POSSESSION OF REPRODUCTIONS OF THIS DRAWING OR POSSESSION OF REPRODUCTIONS OF THIS DRAWING DOES NOT CONFER ANY RIGHTS OR LICENSE TO USE INFORMATION CONTAINED HEREIN WITHOUT THE WRITTEN CONSENT OF ALL SEASONS.						
FLORIDA NO:	FL17123								

7
OF
7