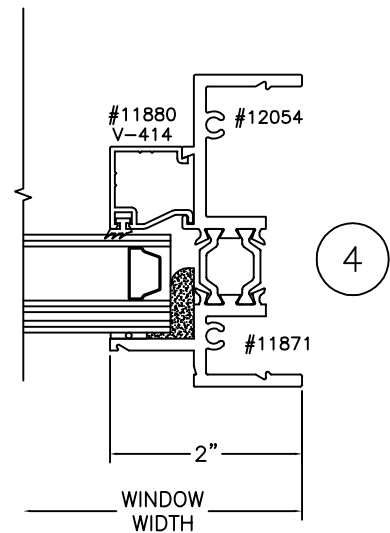


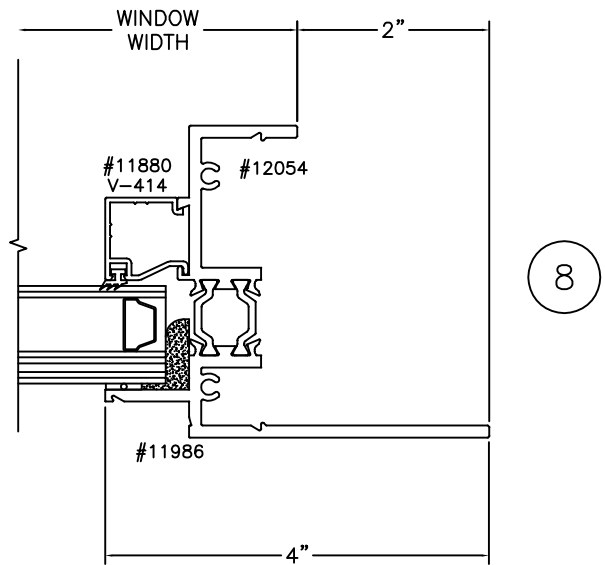
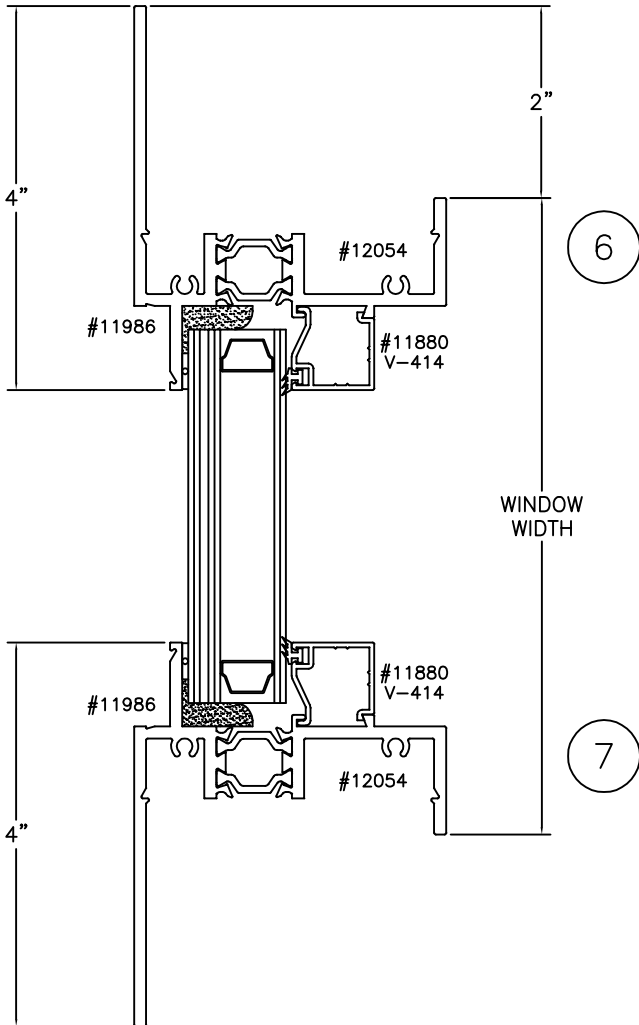
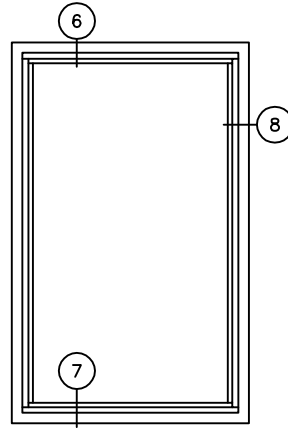
1




4

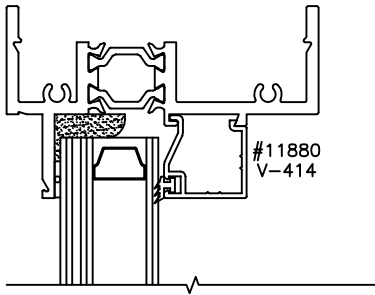
3

<p>1293 N. Harvey Mitchell Pkwy. Phone: (979) 823-6557 Fax: (979) 823-1005</p>	IMPACT:	YES	COMPATIBLE SERIES:	FAMILY:	E3250	SCALE:	1:2	REVISION:	A	SHEET NUMBER	
	BLAST:	NO	E3250PO	DESCRIPTION: E3250 FIXED FRAME CROSS SECTIONS							
	TDI NO:		E3250COS								
	FLORIDA NO:										
	<small>THIS DRAWING CONTAINS CONFIDENTIAL INFORMATION WHICH IS THE PROPERTY OF ALL SEASONS. RECEIPT OR POSSESSION OF REPRODUCTIONS OF THIS DRAWING OR POSSESSION OF REPRODUCTIONS OF THIS DRAWING DOES NOT CONFER ANY RIGHTS OR LICENSE TO USE INFORMATION CONTAINED HEREIN WITHOUT THE WRITTEN CONSENT OF ALL SEASONS.</small>										
DRAWN BY: T.Jobb					DATE DRAWN: 1/22/14			SHEET SIZE: A			1 OF 3

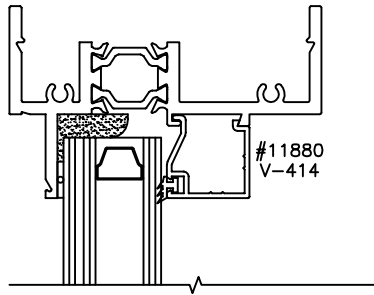


 <p>1293 N. Harvey Mitchell Pkwy. Phone: (979) 823-6557 Fax: (979) 823-1005</p>	IMPACT:	YES	COMPATIBLE SERIES:	FAMILY:	E3250	SCALE:	1:2	REVISION:	A	SHEET NUMBER
	BLAST:	NO	E3250PO	DESCRIPTION:	E3250 FIXED FRAME FRONT FLANGE CROSS SECTIONS					
	TDI NO:		E3250COS	<small>THIS DRAWING CONTAINS CONFIDENTIAL INFORMATION WHICH IS THE PROPERTY OF ALL SEASONS. RECEIPT OR POSSESSION OF REPRODUCTIONS OF THIS DRAWING OR POSSESSION OF REPRODUCTIONS OF THIS DRAWING DOES NOT CONFER ANY RIGHTS OR LICENSE TO USE INFORMATION CONTAINED HEREIN WITHOUT THE WRITTEN CONSENT OF ALL SEASONS.</small>						
	FLORIDA NO:									
				DRAWN BY:	T.JOBB	DATE DRAWN:	1/22/14	SHEET SIZE:	A	2 OF 3

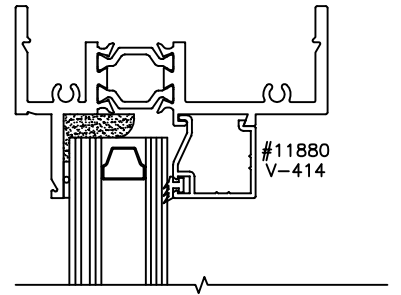
5/16" ANNEALED LAMI
 1/8" - 0.090 DUPONT SGP - 1/8"
 WITH 1/8" ANNEALED INBOARD



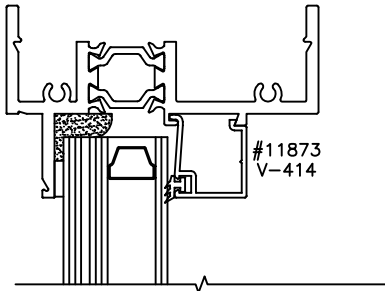
5/16" ANNEALED LAMI
 1/8" - 0.090 DUPONT SGP - 1/8"
 WITH 3/16" ANNEALED INBOARD



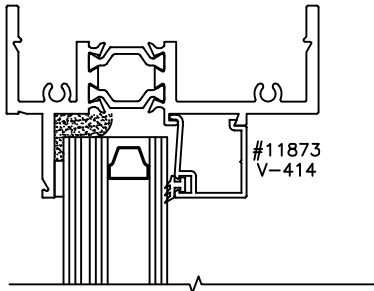
5/16" ANNEALED LAMI
 1/8" - 0.090 DUPONT SGP - 1/8"
 WITH 1/4" ANNEALED INBOARD



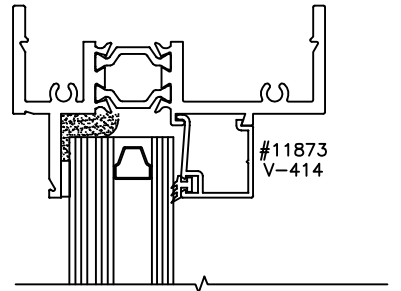
7/16" ANNEALED LAMI
 3/16" - 0.090 DUPONT SGP - 3/16"
 WITH 1/8" ANNEALED INBOARD



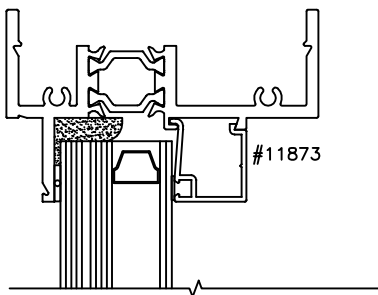
7/16" ANNEALED LAMI
 3/16" - 0.090 DUPONT SGP - 3/16"
 WITH 3/16" ANNEALED INBOARD



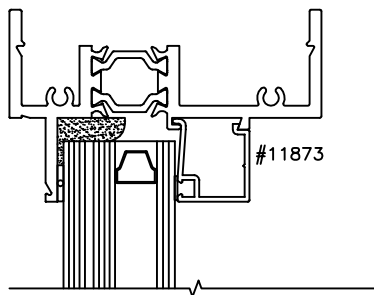
7/16" ANNEALED LAMI
 3/16" - 0.090 DUPONT SGP - 3/16"
 WITH 1/4" ANNEALED INBOARD



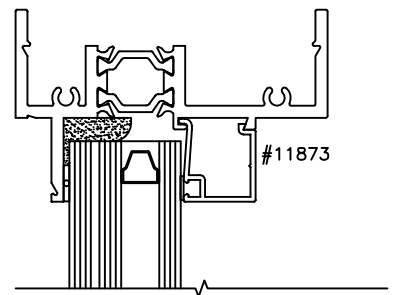
9/16" ANNEALED LAMI
 1/4" - 0.090 DUPONT SGP - 1/4"
 WITH 1/8" ANNEALED INBOARD



9/16" ANNEALED LAMI
 1/4" - 0.090 DUPONT SGP - 1/4"
 WITH 3/16" ANNEALED INBOARD



9/16" ANNEALED LAMI
 1/4" - 0.090 DUPONT SGP - 1/4"
 WITH 1/4" ANNEALED INBOARD



ALL SEASONS
 ARCHITECTURAL WINDOWS MFG.
 1293 N. Harvey Mitchell Pkwy.
 Phone: (979) 823-6557
 Fax: (979) 823-1005

IMPACT:	YES	COMPATIBLE SERIES:	FAMILY:	E3250	SCALE:	1:2	REVISION:	A	SHEET NUMBER						
BLAST:	NO	E3250PO	DESCRIPTION:	E3250 FIXED FRAME LAMINATED GLAZING DETAILS											
TDI NO:		E3250COS	THIS DRAWING CONTAINS CONFIDENTIAL INFORMATION WHICH IS THE PROPERTY OF ALL SEASONS. RECEIPT OR POSSESSION OF REPRODUCTIONS OF THIS DRAWING OR POSSESSION OF REPRODUCTIONS OF THIS DRAWING DOES NOT CONFER ANY RIGHTS OR LICENSE TO USE INFORMATION CONTAINED HEREIN WITHOUT THE WRITTEN CONSENT OF ALL SEASONS.												
FLORIDA NO:										DRAWN BY:	T.JOBB	DATE DRAWN:	1/22/14	SHEET SIZE:	A

3
 OF
 3