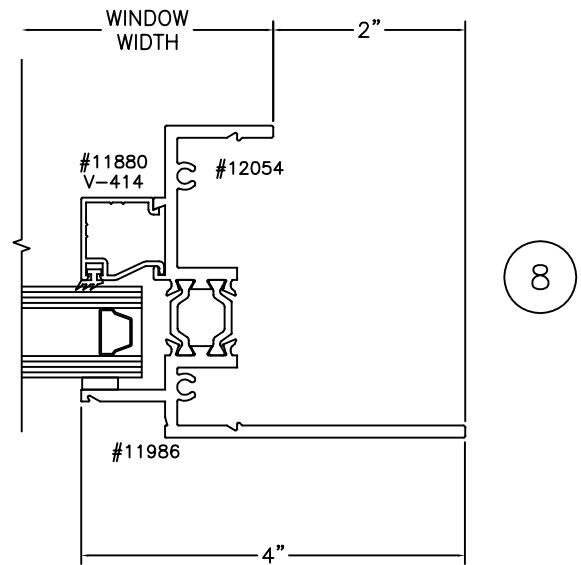
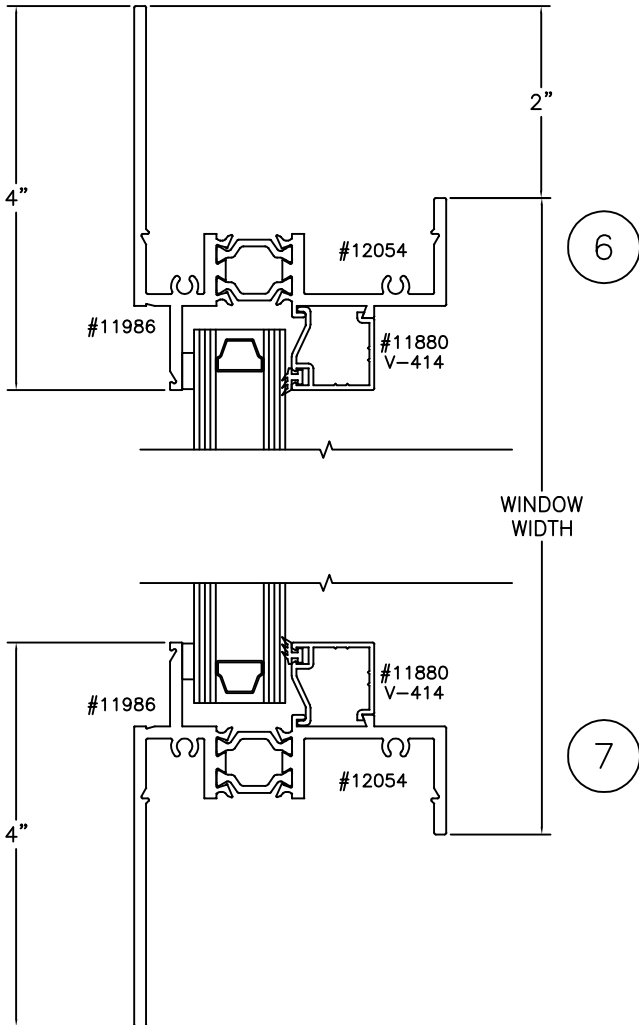
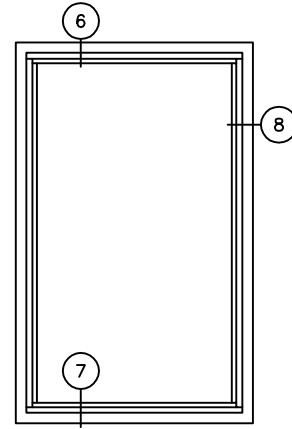
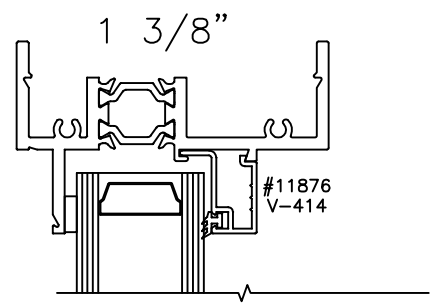
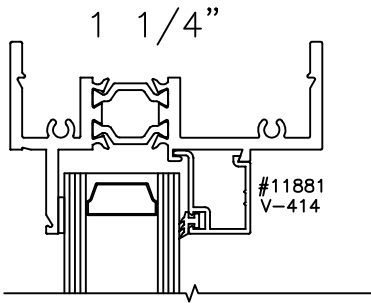
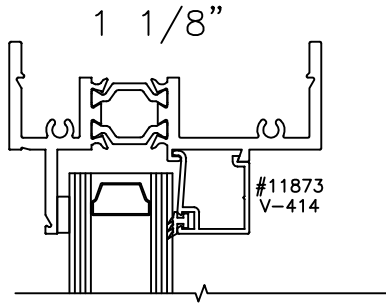
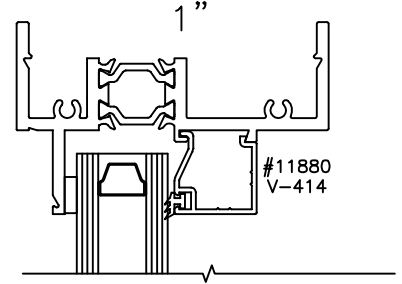
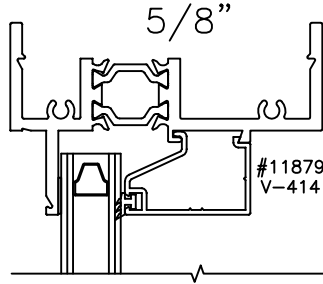
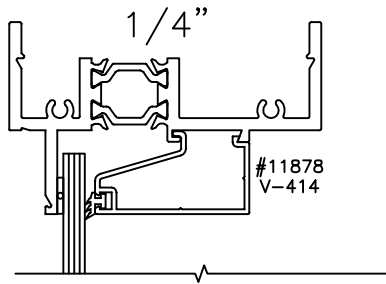


**ALL SEASONS**  
 ARCHITECTURAL WINDOWS MFG.  
 1293 N. Harvey Mitchell Pkwy.  
 Phone: (979) 823-6557  
 Fax: (979) 823-1005

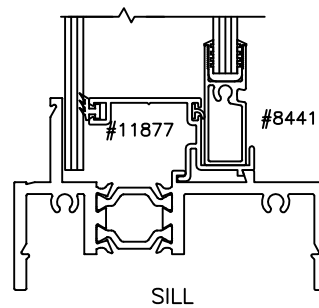
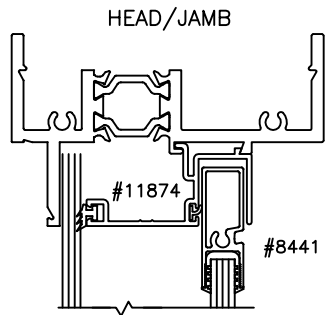
IMPACT:	NO	COMPATIBLE SERIES:	FAMILY:	E3250	SCALE:	1:2	REVISION:	B	SHEET NUMBER
BLAST:	NO	E3250PO	DESCRIPTION: E3250 FIXED FRAME CROSS SECTIONS						
TDI NO:	WIN-2012	E3250COS							
FLORIDA NO:			THIS DRAWING CONTAINS CONFIDENTIAL INFORMATION WHICH IS THE PROPERTY OF ALL SEASONS. RECEIPT OR POSSESSION OF REPRODUCTIONS OF THIS DRAWING OR POSSESSION OF REPRODUCTIONS OF THIS DRAWING DOES NOT CONFER ANY RIGHTS OR LICENSE TO USE INFORMATION CONTAINED HEREIN WITHOUT THE WRITTEN CONSENT OF ALL SEASONS.						
	FL17121								
			DRAWN BY:	T.Jobb	DATE DRAWN:	1/22/14	SHEET SIZE:	A	1 OF 3



<p>1293 N. Harvey Mitchell Pkwy. Phone: (979) 823-6557 Fax: (979) 823-1005</p>	IMPACT:	NO	COMPATIBLE SERIES:	FAMILY:	E3250	SCALE:	1:2	REVISION:	B	SHEET NUMBER							
	BLAST:	NO	E3250PO	DESCRIPTION:	E3250 FIXED FRAME FRONT FLANGE CROSS SECTIONS												
	TDI NO:	WIN-2012	E3250COS	<small>THIS DRAWING CONTAINS CONFIDENTIAL INFORMATION WHICH IS THE PROPERTY OF ALL SEASONS. RECEIPT OR POSSESSION OF REPRODUCTIONS OF THIS DRAWING OR POSSESSION OF REPRODUCTIONS OF THIS DRAWING DOES NOT CONFER ANY RIGHTS OR LICENSE TO USE INFORMATION CONTAINED HEREIN WITHOUT THE WRITTEN CONSENT OF ALL SEASONS.</small>													
	FLORIDA NO:	FL17121										DRAWN BY:	T.JOBB	DATE DRAWN:	1/22/14	SHEET SIZE:	A
										2 OF 3							



LIFT OUT SASH



**ALL SEASONS**  
 ARCHITECTURAL WINDOWS MFG.  
 1293 N. Harvey Mitchell Pkwy.  
 Phone: (979) 823-6557  
 Fax: (979) 823-1005

IMPACT:	NO	COMPATIBLE SERIES:	FAMILY:	E3250	SCALE:	1:2	REVISION:	B	SHEET NUMBER
BLAST:	NO	E3250PO	DESCRIPTION:	E3250 FIXED FRAME NON-IMPACT GLAZING DETAILS					
TDI NO:	WIN-2012	E3250COS	THIS DRAWING CONTAINS CONFIDENTIAL INFORMATION WHICH IS THE PROPERTY OF ALL SEASONS. RECEIPT OR POSSESSION OF REPRODUCTIONS OF THIS DRAWING OR POSSESSION OF REPRODUCTIONS OF THIS DRAWING DOES NOT CONFER ANY RIGHTS OR LICENSE TO USE INFORMATION CONTAINED HEREIN WITHOUT THE WRITTEN CONSENT OF ALL SEASONS.						
FLORIDA NO:	FL17121		DRAWN BY:	T.JOBB	DATE DRAWN:	1/22/14	SHEET SIZE:	A	3 OF 3