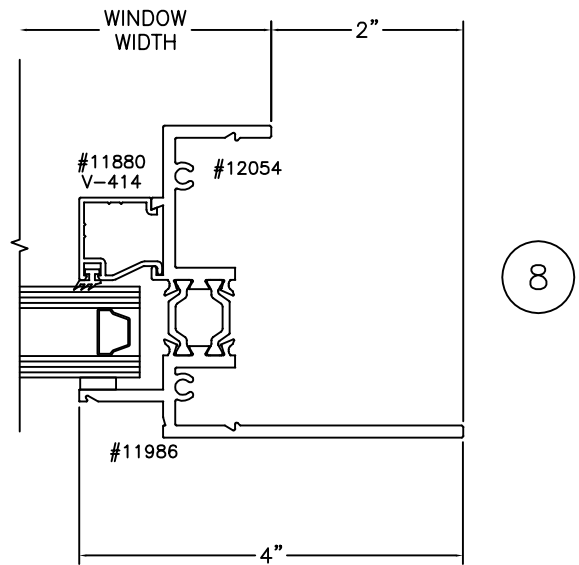
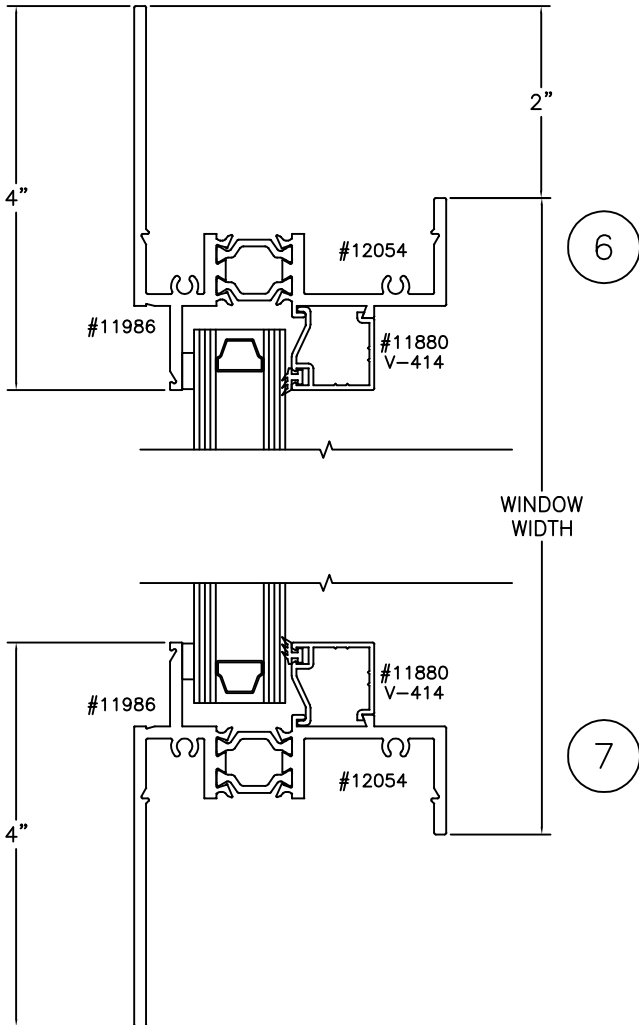
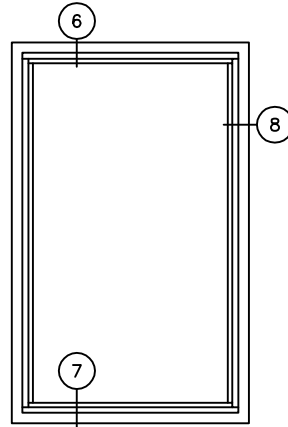



ALL SEASONS
 ARCHITECTURAL WINDOWS MFG.
 1293 N. Harvey Mitchell Pkwy.
 Phone: (979) 823-6557
 Fax: (979) 823-1005

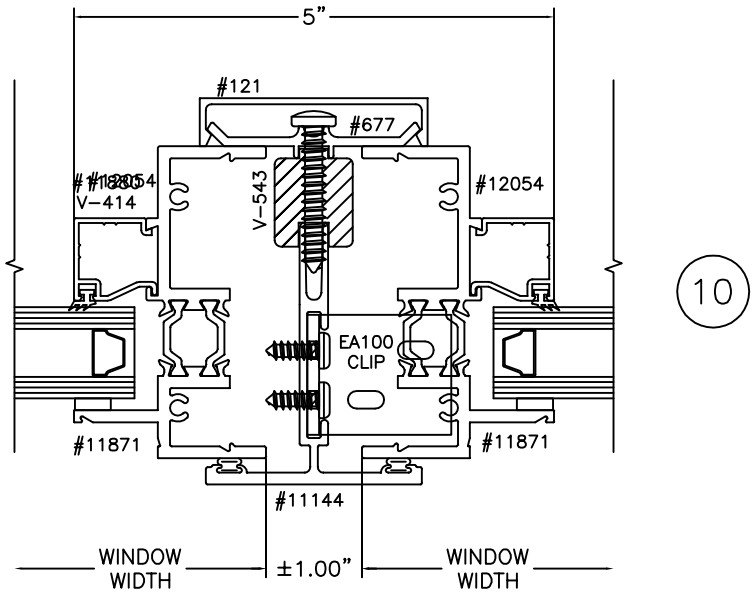
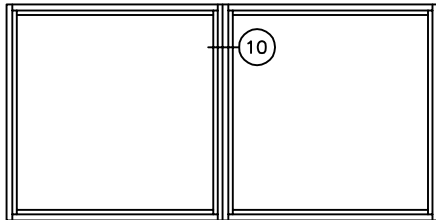
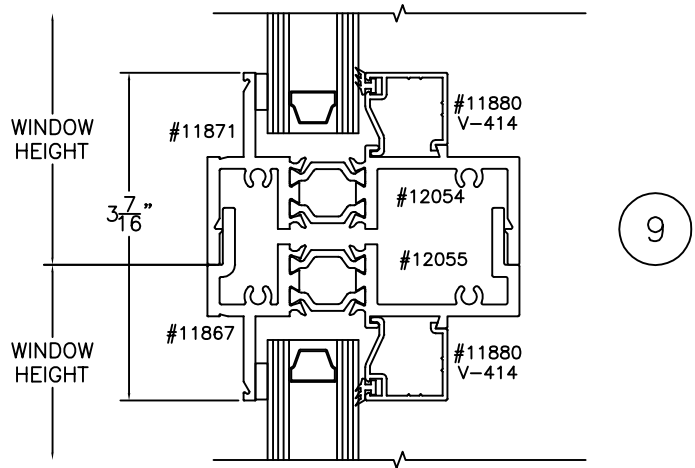
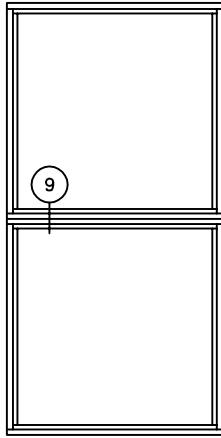
IMPACT:	YES	COMPATIBLE SERIES:	
BLAST:	NO	E3250PO	
TDI NO:	WIN-2012	E3250COS	
FLORIDA NO:			
	FL17121		

FAMILY:	E3250	SCALE:	1:2	REVISION:	B
DESCRIPTION:	E3250 FIXED FRAME CROSS SECTIONS				
THIS DRAWING CONTAINS CONFIDENTIAL INFORMATION WHICH IS THE PROPERTY OF ALL SEASONS. RECEIPT OR POSSESSION OF REPRODUCTIONS OF THIS DRAWING OR POSSESSION OF REPRODUCTIONS OF THIS DRAWING DOES NOT CONFER ANY RIGHTS OR LICENSE TO USE INFORMATION CONTAINED HEREIN WITHOUT THE WRITTEN CONSENT OF ALL SEASONS.					
DRAWN BY:	T.Jobb	DATE DRAWN:	1/22/14	SHEET SIZE:	A

SHEET NUMBER
1
 OF
5

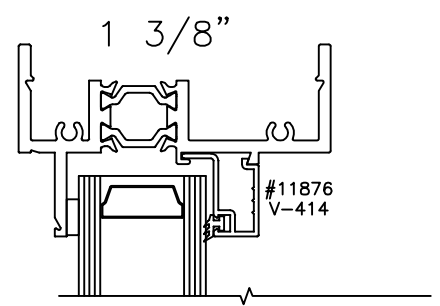
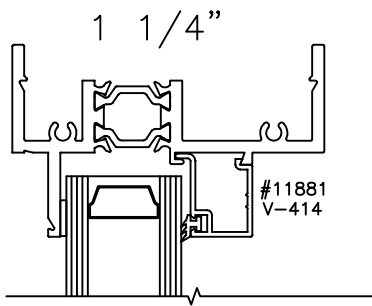
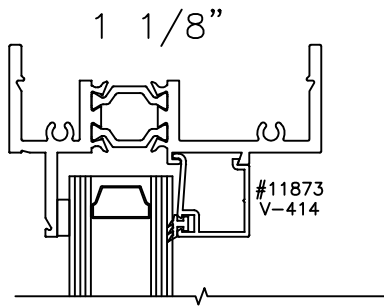
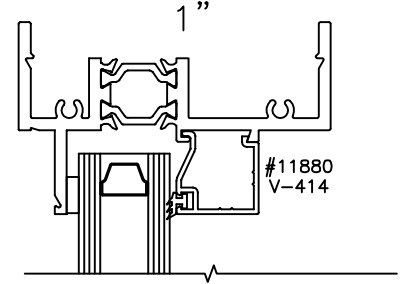
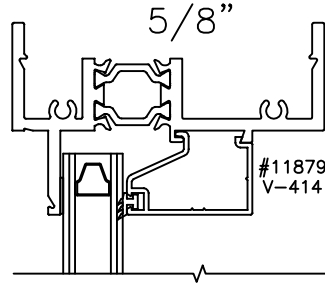
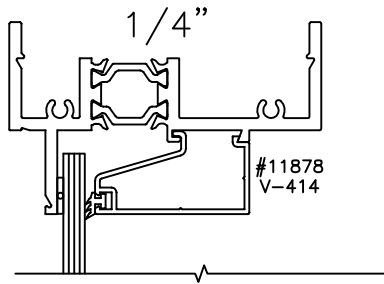


 <p>1293 N. Harvey Mitchell Pkwy. Phone: (979) 823-6557 Fax: (979) 823-1005</p>	IMPACT:	YES	COMPATIBLE SERIES:	E3250	SCALE:	1:2	REVISION:	B	SHEET NUMBER	
	BLAST:	NO	E3250PO	DESCRIPTION: E3250 FIXED FRAME FRONT FLANGE CROSS SECTIONS						
	TDI NO:	WIN-2012	E3250COS							THIS DRAWING CONTAINS CONFIDENTIAL INFORMATION WHICH IS THE PROPERTY OF ALL SEASONS. RECEIPT OR POSSESSION OF REPRODUCTIONS OF THIS DRAWING OR POSSESSION OF REPRODUCTIONS OF THIS DRAWING DOES NOT CONFER ANY RIGHTS OR LICENSE TO USE INFORMATION CONTAINED HEREIN WITHOUT THE WRITTEN CONSENT OF ALL SEASONS.
	FLORIDA NO:	FL17121		DRAWN BY:	T.JOBB	DATE DRAWN:	1/22/14	SHEET SIZE:	A	
									2 OF 5	

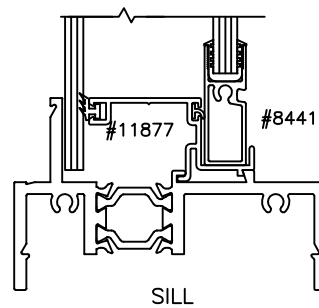
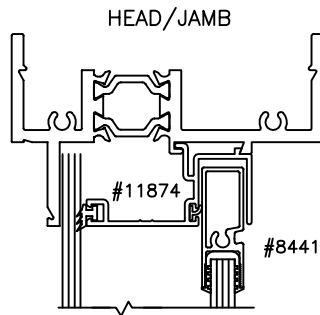


ALL SEASONS
 ARCHITECTURAL WINDOWS MFG.
 1293 N. Harvey Mitchell Pkwy.
 Phone: (979) 823-6557
 Fax: (979) 823-1005

IMPACT:	YES	COMPATIBLE SERIES:	FAMILY:	E3250	SCALE:	1:2	REVISION:	B	SHEET NUMBER
BLAST:	NO	E3250PO	DESCRIPTION:	E3250 FIXED FRAME STACK AND MULL DETAILS					
TDI NO:	WIN-2012	E3250COS	THIS DRAWING CONTAINS CONFIDENTIAL INFORMATION WHICH IS THE PROPERTY OF ALL SEASONS. RECEIPT OR POSSESSION OF REPRODUCTIONS OF THIS DRAWING OR POSSESSION OF REPRODUCTIONS OF THIS DRAWING DOES NOT CONFER ANY RIGHTS OR LICENSE TO USE INFORMATION CONTAINED HEREIN WITHOUT THE WRITTEN CONSENT OF ALL SEASONS.						
FLORIDA NO:									
FL17121									
									3 OF 5



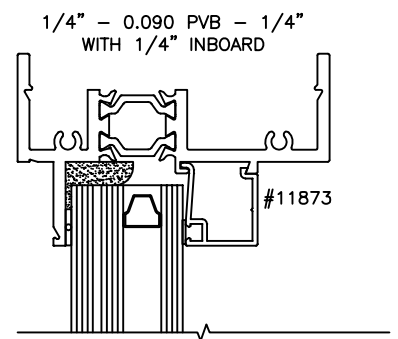
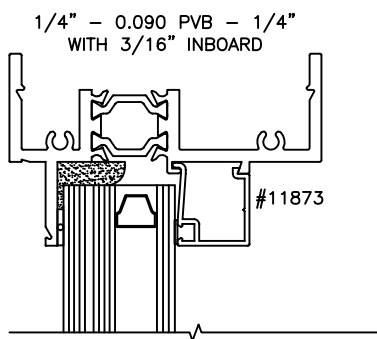
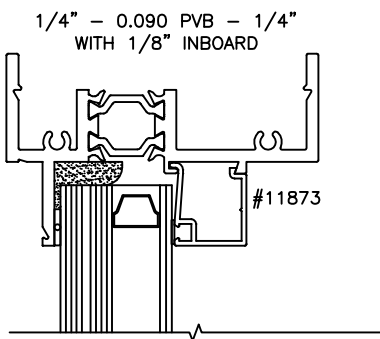
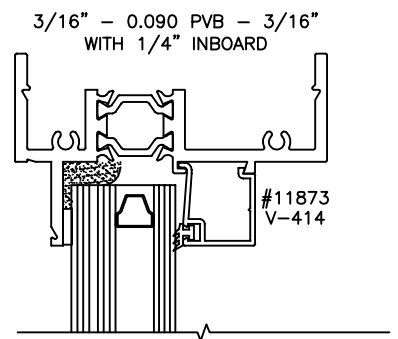
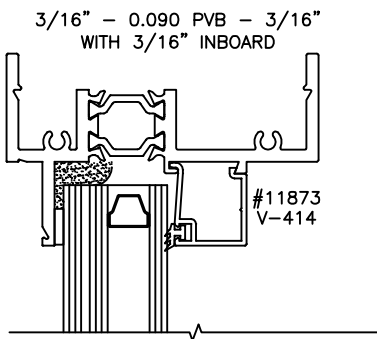
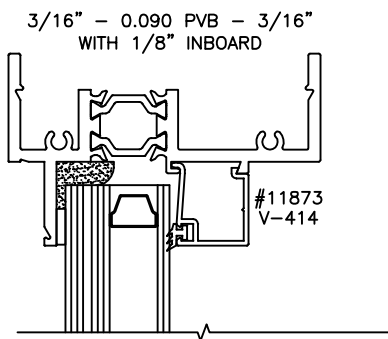
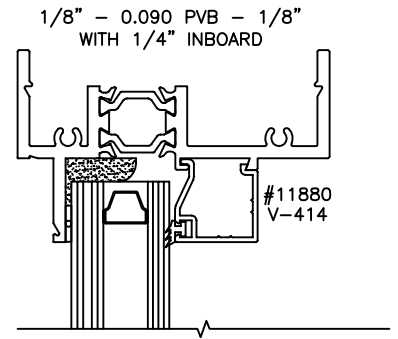
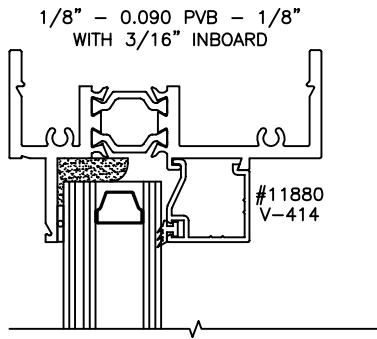
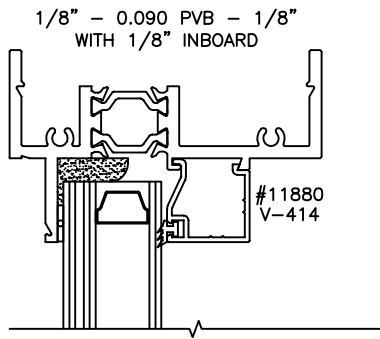
LIFT OUT SASH



ALL SEASONS
 ARCHITECTURAL WINDOWS MFG.
 1293 N. Harvey Mitchell Pkwy.
 Phone: (979) 823-6557
 Fax: (979) 823-1005

IMPACT:	YES	COMPATIBLE SERIES:	FAMILY:	E3250	SCALE:	1:2	REVISION:	B	SHEET NUMBER						
BLAST:	NO	E3250PO	DESCRIPTION:	E3250 FIXED FRAME NON-IMPACT GLAZING DETAILS											
TDI NO:	WIN-2012	E3250COS	THIS DRAWING CONTAINS CONFIDENTIAL INFORMATION WHICH IS THE PROPERTY OF ALL SEASONS. RECEIPT OR POSSESSION OF REPRODUCTIONS OF THIS DRAWING OR POSSESSION OF REPRODUCTIONS OF THIS DRAWING DOES NOT CONFER ANY RIGHTS OR LICENSE TO USE INFORMATION CONTAINED HEREIN WITHOUT THE WRITTEN CONSENT OF ALL SEASONS.												
FLORIDA NO:	FL17121									DRAWN BY:	T.JOBB	DATE DRAWN:	1/22/14	SHEET SIZE:	A

4
OF
5



ALL SEASONS
ARCHITECTURAL WINDOWS MFG.
1293 N. Harvey Mitchell Pkwy.
Phone: (979) 823-6557
Fax: (979) 823-1005

IMPACT:	YES	COMPATIBLE SERIES:	FAMILY:	E3250	SCALE:	1:2	REVISION:	B	SHEET NUMBER						
BLAST:	NO	E3250PO	DESCRIPTION:	E3250 FIXED FRAME LAMINATED GLAZING DETAILS											
TDI NO:	WIN-2012	E3250COS	THIS DRAWING CONTAINS CONFIDENTIAL INFORMATION WHICH IS THE PROPERTY OF ALL SEASONS. RECEIPT OR POSSESSION OF REPRODUCTIONS OF THIS DRAWING OR POSSESSION OF REPRODUCTIONS OF THIS DRAWING DOES NOT CONFER ANY RIGHTS OR LICENSE TO USE INFORMATION CONTAINED HEREIN WITHOUT THE WRITTEN CONSENT OF ALL SEASONS.												
FLORIDA NO:	FL17121									DRAWN BY:	T.JOBB	DATE DRAWN:	1/22/14	SHEET SIZE:	A
										5 OF 5					