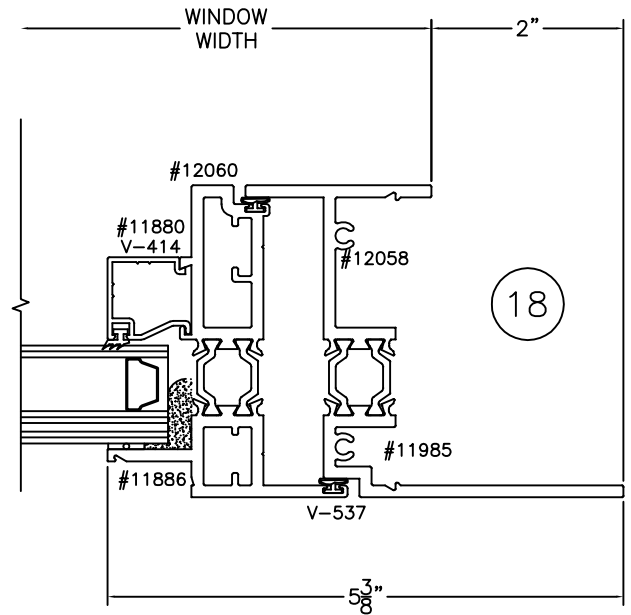
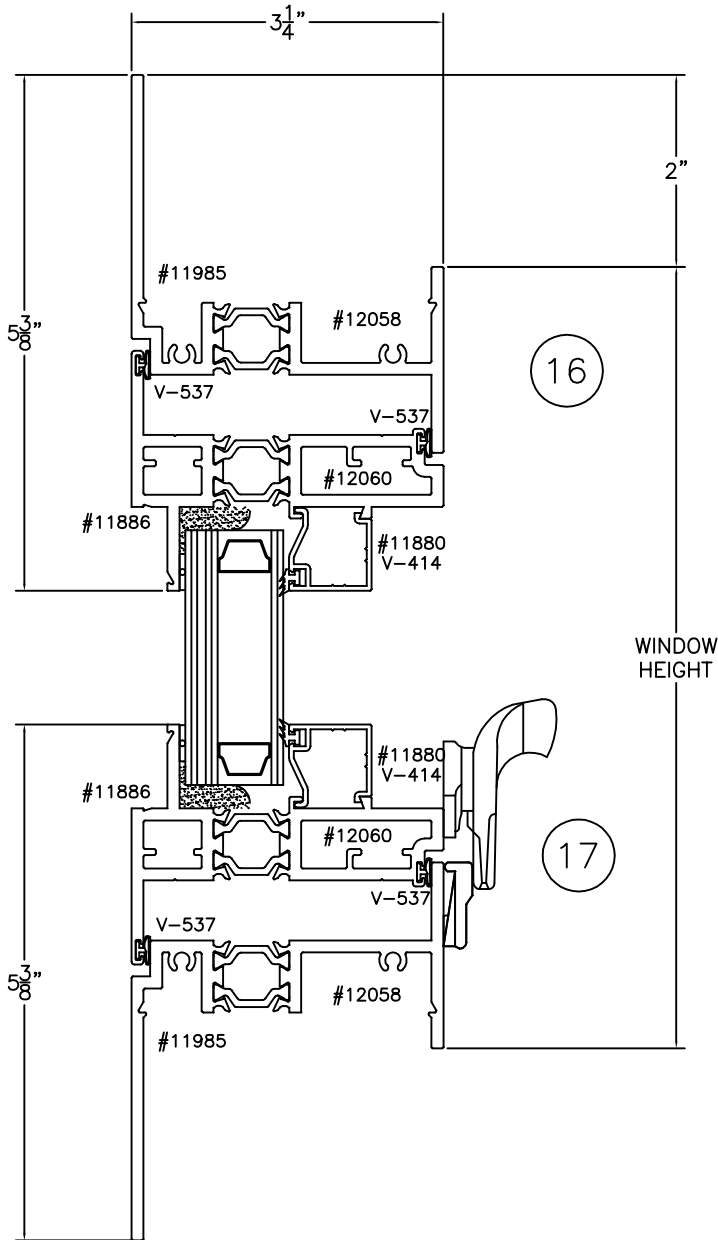
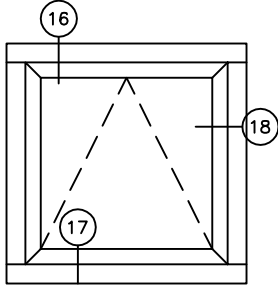


**ALL SEASONS**  
 ARCHITECTURAL WINDOWS MFG.  
 1293 N. Harvey Mitchell Pkwy.  
 Phone: (979) 823-6557  
 Fax: (979) 823-1005

IMPACT:	YES	COMPATIBLE SERIES:	FAMILY:	E3250	SCALE:	1:2	REVISION:	A
BLAST:	NO	E3250FF	DESCRIPTION:	E3250 PROJECT OUT CROSS SECTIONS				
TDI NO:		E3250COS						
FLORIDA NO:			THIS DRAWING CONTAINS CONFIDENTIAL INFORMATION WHICH IS THE PROPERTY OF ALL SEASONS. RECEIPT OR POSSESSION OF REPRODUCTIONS OF THIS DRAWING OR POSSESSION OF REPRODUCTIONS OF THIS DRAWING DOES NOT CONFER ANY RIGHTS OR LICENSE TO USE INFORMATION CONTAINED HEREIN WITHOUT THE WRITTEN CONSENT OF ALL SEASONS.					

SHEET NUMBER  
 1  
 OF  
 3

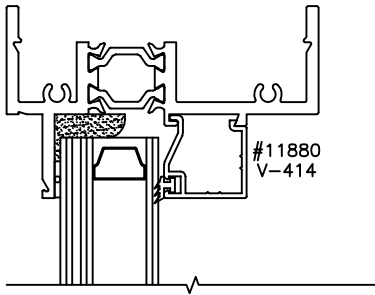


**ALL SEASONS**  
ARCHITECTURAL WINDOWS MFG.

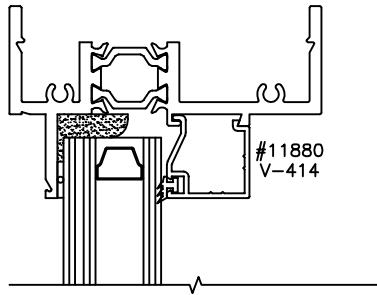
1293 N. Harvey Mitchell Pkwy.  
Phone: (979) 823-6557  
Fax: (979) 823-1005

IMPACT:	YES	COMPATIBLE SERIES:	FAMILY:	E3250	SCALE:	1:2	REVISION:	A	SHEET NUMBER
BLAST:	NO	E3250FF	DESCRIPTION:	E3250 PROJECT OUT FRONT FLANGE CROSS SECTIONS					
TDI NO:		E3250COS	THIS DRAWING CONTAINS CONFIDENTIAL INFORMATION WHICH IS THE PROPERTY OF ALL SEASONS. RECEIPT OR POSSESSION OF REPRODUCTIONS OF THIS DRAWING OR POSSESSION OF REPRODUCTIONS OF THIS DRAWING DOES NOT CONFER ANY RIGHTS OR LICENSE TO USE INFORMATION CONTAINED HEREIN WITHOUT THE WRITTEN CONSENT OF ALL SEASONS.						
FLORIDA NO:									
			DRAWN BY:	T.Jobb	DATE DRAWN:	1/23/14	SHEET SIZE:	A	2 OF 3

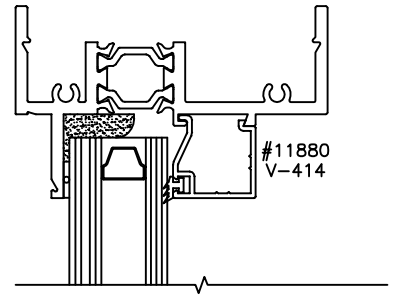
5/16" ANNEALED LAMI  
 1/8" - 0.090 DUPONT SGP - 1/8"  
 WITH 1/8" ANNEALED INBOARD



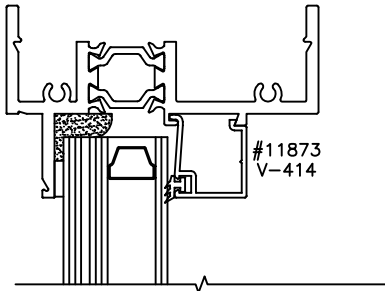
5/16" ANNEALED LAMI  
 1/8" - 0.090 DUPONT SGP - 1/8"  
 WITH 3/16" ANNEALED INBOARD



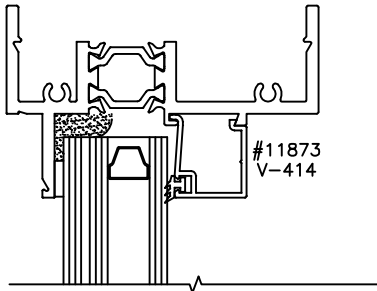
5/16" ANNEALED LAMI  
 1/8" - 0.090 DUPONT SGP - 1/8"  
 WITH 1/4" ANNEALED INBOARD



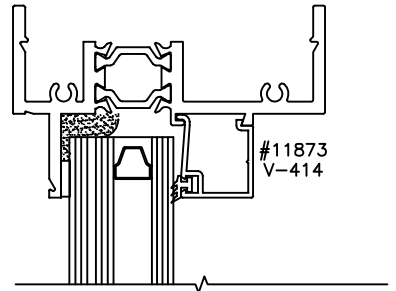
7/16" ANNEALED LAMI  
 3/16" - 0.090 DUPONT SGP - 3/16"  
 WITH 1/8" ANNEALED INBOARD



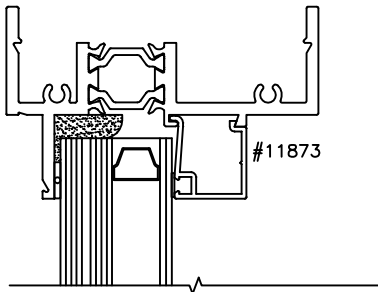
7/16" ANNEALED LAMI  
 3/16" - 0.090 DUPONT SGP - 3/16"  
 WITH 3/16" ANNEALED INBOARD



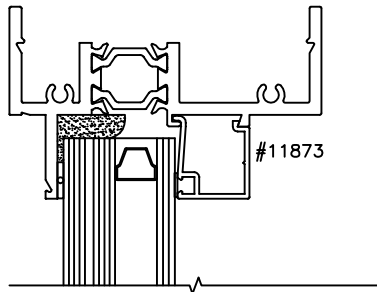
7/16" ANNEALED LAMI  
 3/16" - 0.090 DUPONT SGP - 3/16"  
 WITH 1/4" ANNEALED INBOARD



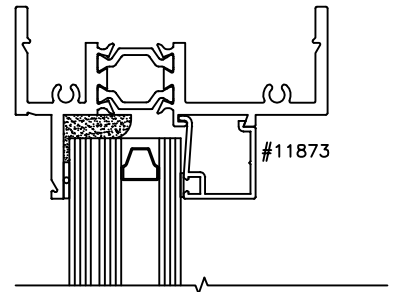
9/16" ANNEALED LAMI  
 1/4" - 0.090 DUPONT SGP - 1/4"  
 WITH 1/8" ANNEALED INBOARD



9/16" ANNEALED LAMI  
 1/4" - 0.090 DUPONT SGP - 1/4"  
 WITH 3/16" ANNEALED INBOARD



9/16" ANNEALED LAMI  
 1/4" - 0.090 DUPONT SGP - 1/4"  
 WITH 1/4" ANNEALED INBOARD



**ALL SEASONS**  
 ARCHITECTURAL WINDOWS MFG.  
 1293 N. Harvey Mitchell Pkwy.  
 Phone: (979) 823-6557  
 Fax: (979) 823-1005

IMPACT:	YES	COMPATIBLE SERIES:	E3250	SCALE:	1:2	REVISION:	A	SHEET NUMBER
BLAST:	NO	E3250FF	DESCRIPTION: E3250 PROJECT OUT LAMINATED GLAZING DETAILS	THIS DRAWING CONTAINS CONFIDENTIAL INFORMATION WHICH IS THE PROPERTY OF ALL SEASONS. RECEIPT OR POSSESSION OF REPRODUCTIONS OF THIS DRAWING OR POSSESSION OF REPRODUCTIONS OF THIS DRAWING DOES NOT CONFER ANY RIGHTS OR LICENSE TO USE INFORMATION CONTAINED HEREIN WITHOUT THE WRITTEN CONSENT OF ALL SEASONS.				
TDI NO:		E3250COS						
FLORIDA NO:								
DRAWN BY:			T.JOBB	DATE DRAWN:		1/23/14	SHEET SIZE:	A

3  
OF  
3