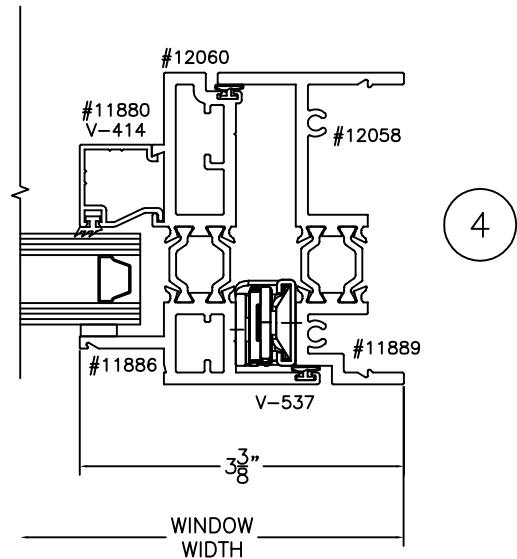


1

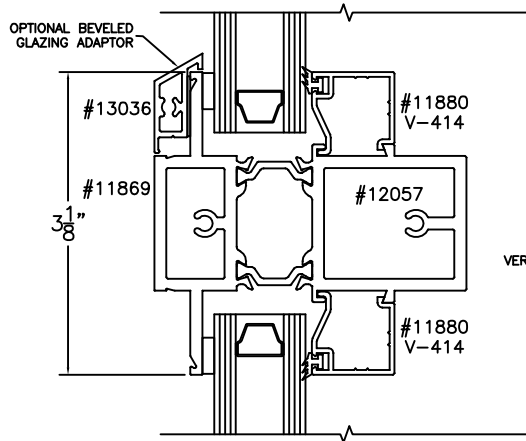
2

OPTIONAL TRUE MUNTIN, VERTICAL OR HORIZONTAL (HOR. SHOWN)

3



4



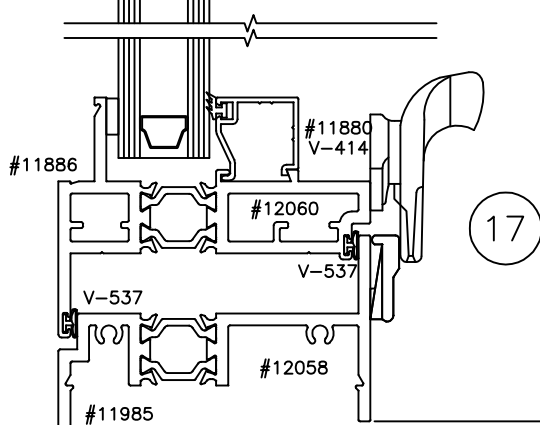
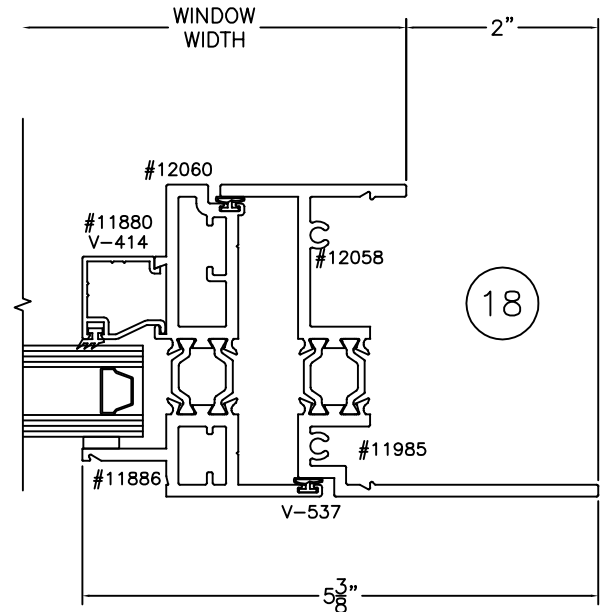
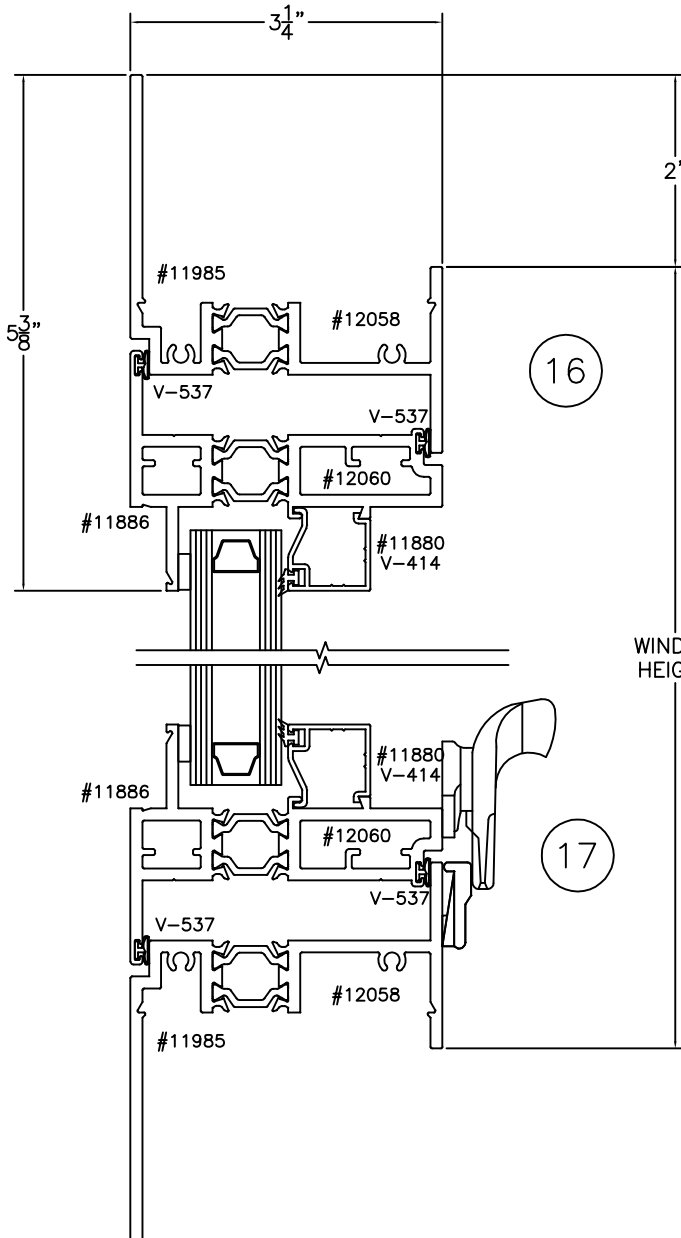
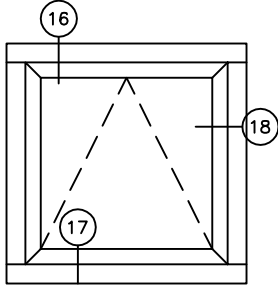
5

OPTIONAL IMPOST, VERTICAL OR HORIZONTAL (HOR. SHOWN)

ALL SEASONS
 ARCHITECTURAL WINDOWS MFG.
 1293 N. Harvey Mitchell Pkwy.
 Phone: (979) 823-6557
 Fax: (979) 823-1005

IMPACT:	NO	COMPATIBLE SERIES:	E3250	SCALE:	1:2	REVISION:	B	
BLAST:	NO	E3250FF	DESCRIPTION: E3250 PROJECT OUT CROSS SECTIONS					
TDI NO:	WIN-2019	E3250COS						
FLORIDA NO:			THIS DRAWING CONTAINS CONFIDENTIAL INFORMATION WHICH IS THE PROPERTY OF ALL SEASONS. RECEIPT OR POSSESSION OF REPRODUCTIONS OF THIS DRAWING OR POSSESSION OF REPRODUCTIONS OF THIS DRAWING DOES NOT CONFER ANY RIGHTS OR LICENSE TO USE INFORMATION CONTAINED HEREIN WITHOUT THE WRITTEN CONSENT OF ALL SEASONS.					
FL17125								
			DRAWN BY:	T.Jobb	DATE DRAWN:	1/23/14	SHEET SIZE:	A

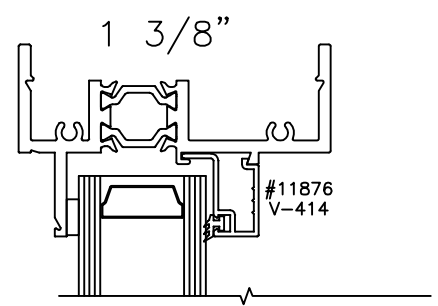
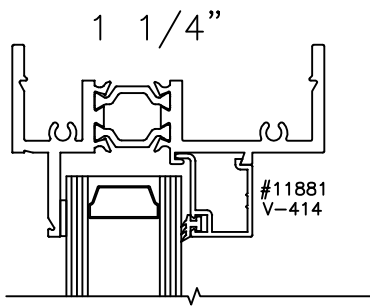
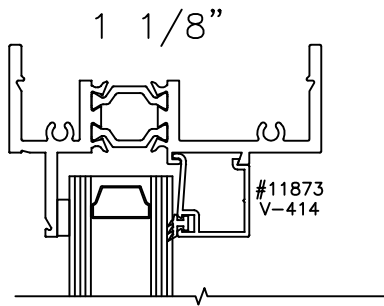
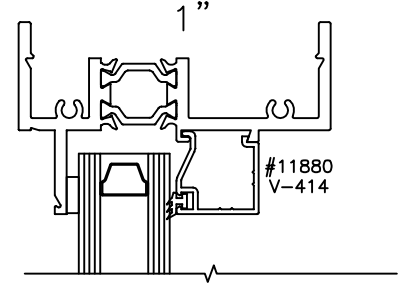
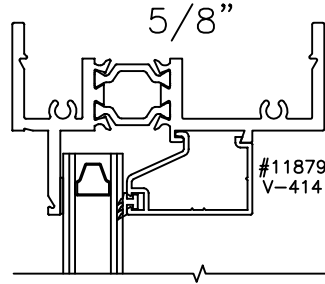
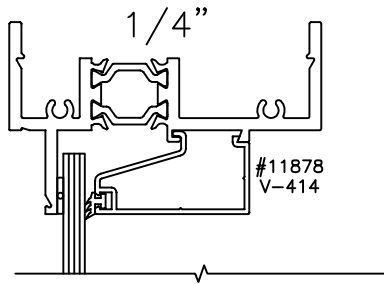
SHEET NUMBER
 1
 OF
 3



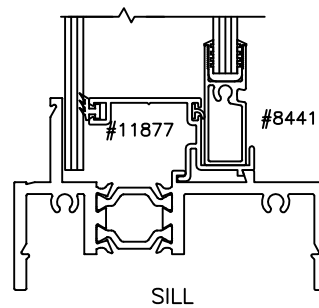
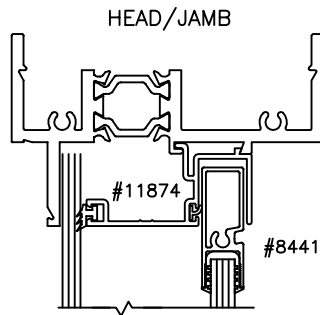
ALL SEASONS
 ARCHITECTURAL WINDOWS MFG.
 1293 N. Harvey Mitchell Pkwy.
 Phone: (979) 823-6557
 Fax: (979) 823-1005

IMPACT:	NO	COMPATIBLE SERIES:	E3250	SCALE:	1:2	REVISION:	B	
BLAST:	NO	E3250FF	DESCRIPTION: E3250 PROJECT OUT FRONT FLANGE CROSS SECTIONS					
TDI NO:	WIN-2019	E3250COS						
FLORIDA NO:	FL17125		THIS DRAWING CONTAINS CONFIDENTIAL INFORMATION WHICH IS THE PROPERTY OF ALL SEASONS. RECEIPT OR POSSESSION OF REPRODUCTIONS OF THIS DRAWING OR POSSESSION OF REPRODUCTIONS OF THIS DRAWING DOES NOT CONFER ANY RIGHTS OR LICENSE TO USE INFORMATION CONTAINED HEREIN WITHOUT THE WRITTEN CONSENT OF ALL SEASONS.					
DRAWN BY:		T.Jobb	DATE DRAWN:		1/23/14	SHEET SIZE:		A

SHEET NUMBER
2
 OF
3



LIFT OUT SPLIT SASH



ALL SEASONS
 ARCHITECTURAL WINDOWS MFG.
 1293 N. Harvey Mitchell Pkwy.
 Phone: (979) 823-6557
 Fax: (979) 823-1005

IMPACT:	NO	COMPATIBLE SERIES:	FAMILY:	E3250	SCALE:	1:2	REVISION:	B	SHEET NUMBER						
BLAST:	NO	E3250FF	DESCRIPTION:	E3250 PROJECT OUT NON-IMPACT GLAZING DETAILS											
TDI NO:	WIN-2019	E3250COS	THIS DRAWING CONTAINS CONFIDENTIAL INFORMATION WHICH IS THE PROPERTY OF ALL SEASONS. RECEIPT OR POSSESSION OF REPRODUCTIONS OF THIS DRAWING OR POSSESSION OF REPRODUCTIONS OF THIS DRAWING DOES NOT CONFER ANY RIGHTS OR LICENSE TO USE INFORMATION CONTAINED HEREIN WITHOUT THE WRITTEN CONSENT OF ALL SEASONS.												
FLORIDA NO:	FL17125									DRAWN BY:	T.JOBB	DATE DRAWN:	1/23/14	SHEET SIZE:	A
										3 OF 3					