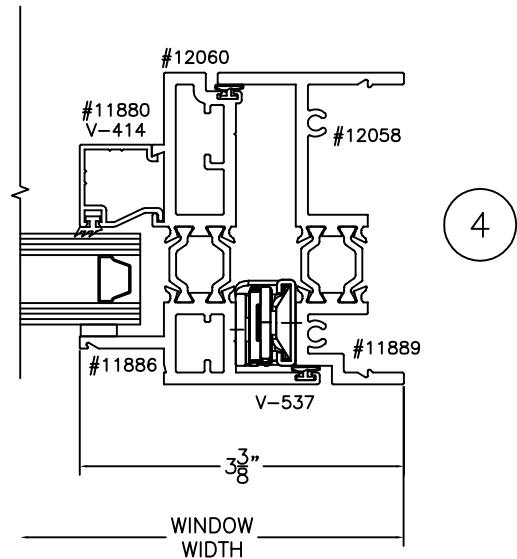


1

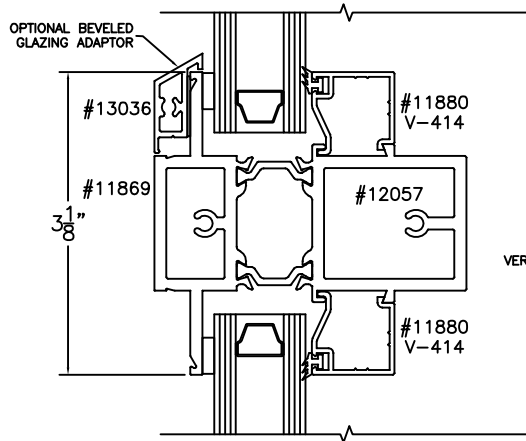
2

OPTIONAL TRUE MUNTIN, VERTICAL OR HORIZONTAL (HOR. SHOWN)

3



4

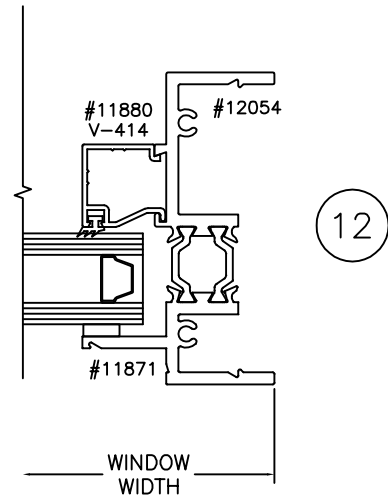
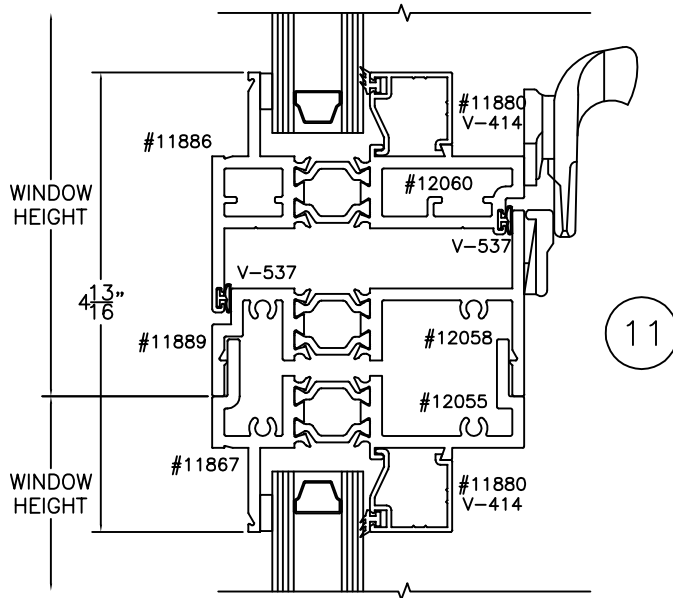
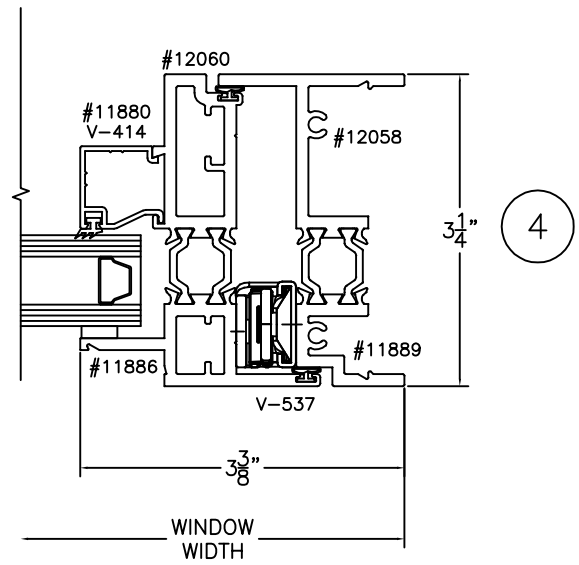
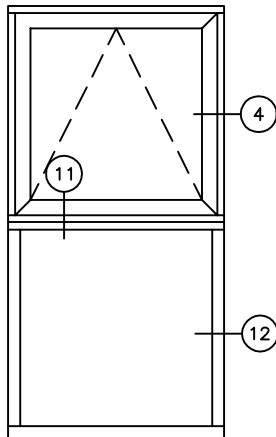


5

OPTIONAL IMPOST, VERTICAL OR HORIZONTAL (HOR. SHOWN)

**ALL SEASONS**  
ARCHITECTURAL WINDOWS MFG.  
1293 N. Harvey Mitchell Pkwy.  
Phone: (979) 823-6557  
Fax: (979) 823-1005

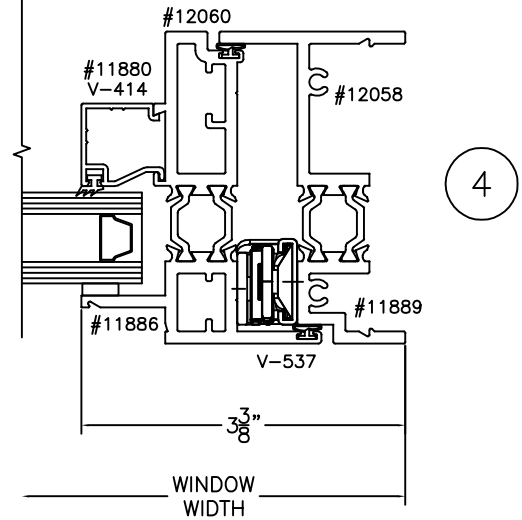
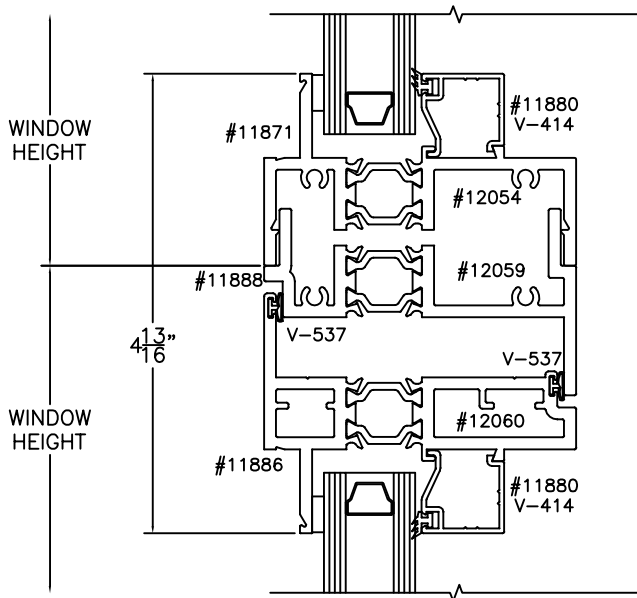
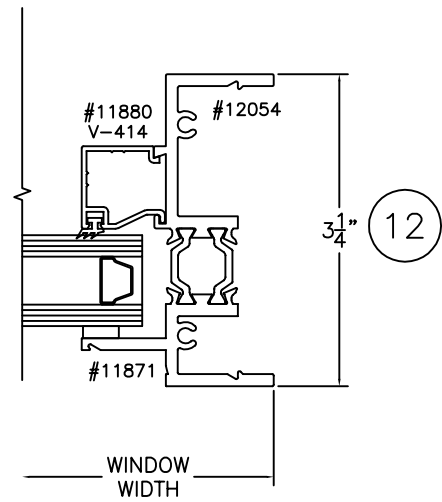
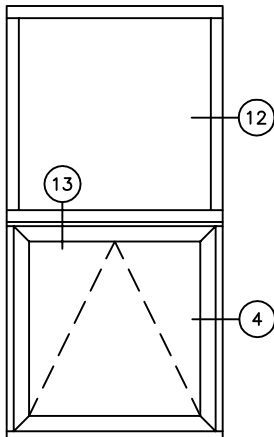
IMPACT:	YES	COMPATIBLE SERIES:	E3250	SCALE:	1:2	REVISION:	B	SHEET NUMBER
BLAST:	NO	E3250FF	DESCRIPTION: E3250 PROJECT OUT CROSS SECTIONS					
TDI NO:	WIN-2019	E3250COS						
FLORIDA NO:	FL17125							
THIS DRAWING CONTAINS CONFIDENTIAL INFORMATION WHICH IS THE PROPERTY OF ALL SEASONS. RECEIPT OR POSSESSION OF REPRODUCTIONS OF THIS DRAWING OR POSSESSION OF REPRODUCTIONS OF THIS DRAWING DOES NOT CONFER ANY RIGHTS OR LICENSE TO USE INFORMATION CONTAINED HEREIN WITHOUT THE WRITTEN CONSENT OF ALL SEASONS.			DRAWN BY:	T.Jobb	DATE DRAWN:	1/23/14	SHEET SIZE:	A
								1 OF 7




**ALL SEASONS**  
 ARCHITECTURAL WINDOWS MFG.  
 1293 N. Harvey Mitchell Pkwy.  
 Phone: (979) 823-6557  
 Fax: (979) 823-1005

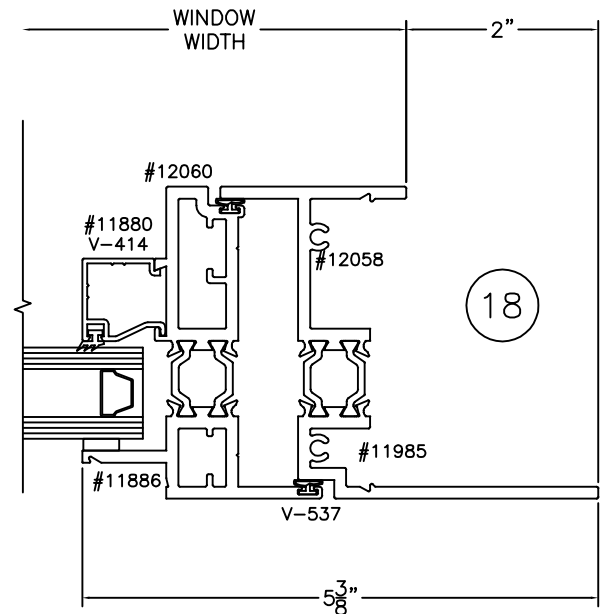
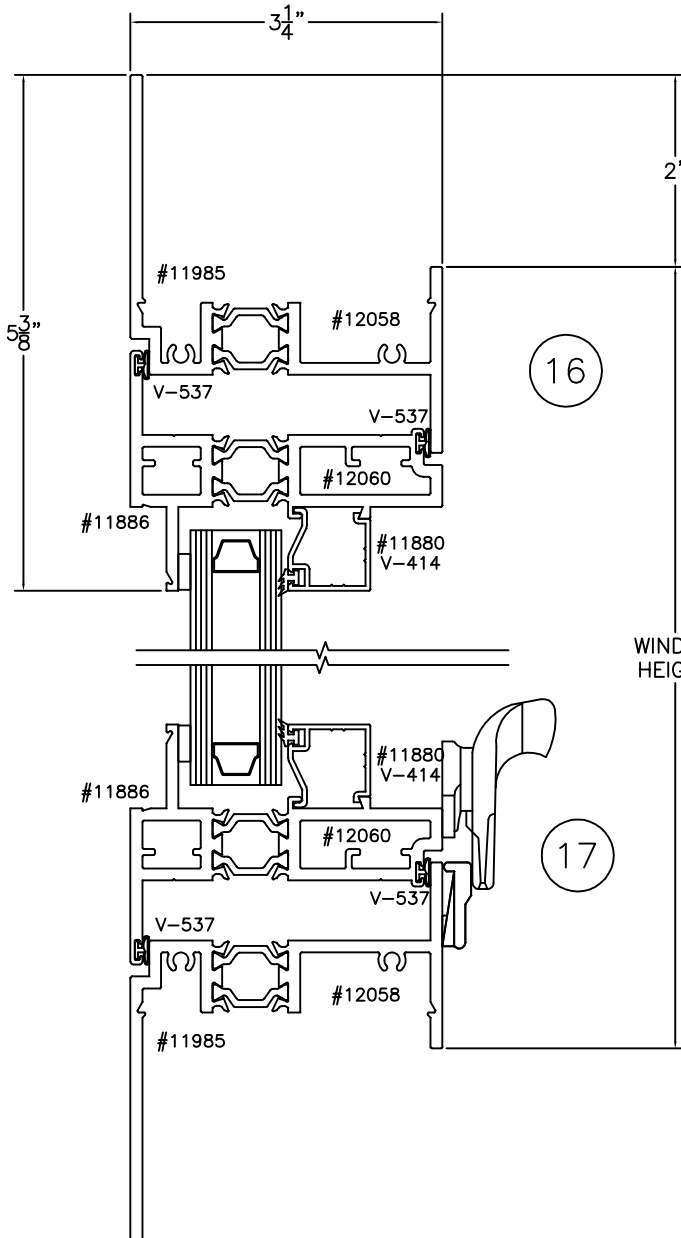
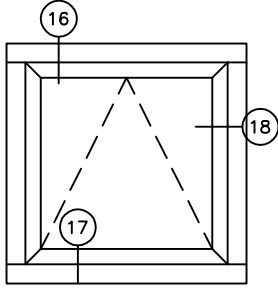
IMPACT:	YES	COMPATIBLE SERIES:	E3250	SCALE:	1:2	REVISION:	B	SHEET NUMBER
BLAST:	NO	E3250FF	DESCRIPTION: E3250 PROJECT OUT STACKING DETAILS, PROJECT OVER FIXED					
TDI NO:	WIN-2019	E3250COS						
FLORIDA NO:	FL17125							
			DRAWN BY:	T.JOBB	DATE DRAWN:	1/23/14	SHEET SIZE:	A

2  
OF  
7



 <p>1293 N. Harvey Mitchell Pkwy. Phone: (979) 823-6557 Fax: (979) 823-1005</p>	IMPACT:	YES	COMPATIBLE SERIES:	FAMILY:	E3250	SCALE:	1:2	REVISION:	B	SHEET NUMBER
	BLAST:	NO	E3250FF	DESCRIPTION: E3250 PROJECT OUT STACKING DETAILS, FIXED OVER PROJECT						
	TDI NO:	WIN-2019	E3250COS							
	FLORIDA NO:									
		FL17125		THIS DRAWING CONTAINS CONFIDENTIAL INFORMATION WHICH IS THE PROPERTY OF ALL SEASONS. RECEIPT OR POSSESSION OF REPRODUCTIONS OF THIS DRAWING OR POSSESSION OF REPRODUCTIONS OF THIS DRAWING DOES NOT CONFER ANY RIGHTS OR LICENSE TO USE INFORMATION CONTAINED HEREIN WITHOUT THE WRITTEN CONSENT OF ALL SEASONS.						
			DRAWN BY:	T.JOBB	DATE DRAWN:	1/23/14	SHEET SIZE:	A		3 OF 7



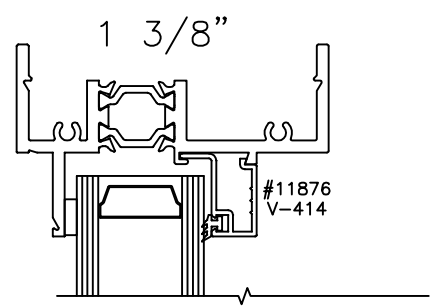
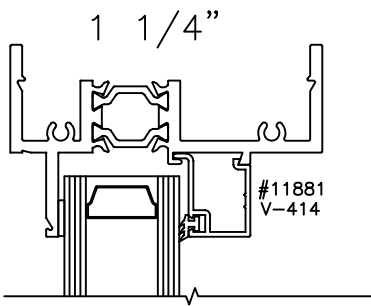
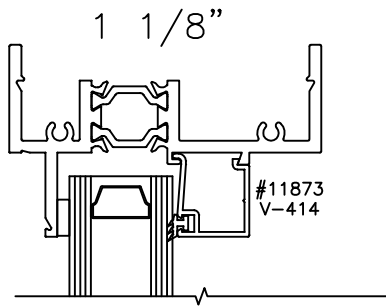
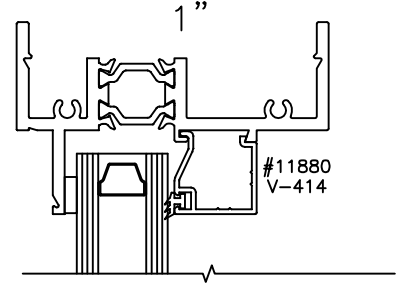
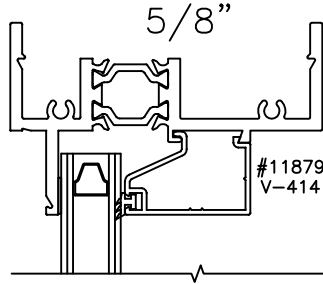
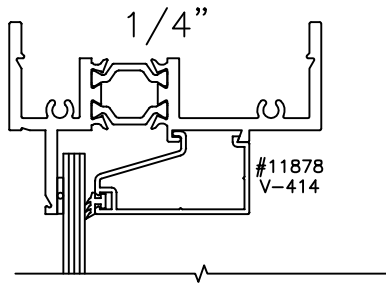


**ALL SEASONS**  
 ARCHITECTURAL WINDOWS MFG.  
 1293 N. Harvey Mitchell Pkwy.  
 Phone: (979) 823-6557  
 Fax: (979) 823-1005

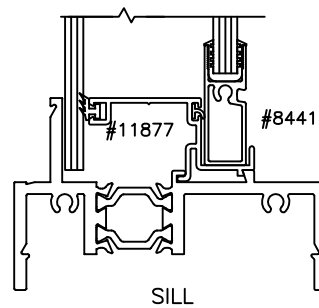
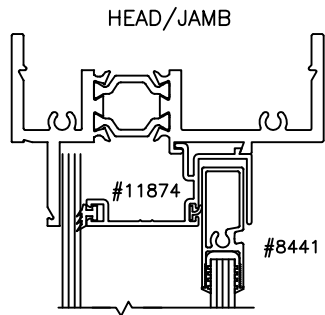
IMPACT:	YES	COMPATIBLE SERIES:	
BLAST:	NO	E3250FF	
TDI NO:	WIN-2019	E3250COS	
FLORIDA NO:	FL17125		

FAMILY:	E3250	SCALE:	1:2	REVISION:	B
DESCRIPTION: E3250 PROJECT OUT FRONT FLANGE CROSS SECTIONS					
THIS DRAWING CONTAINS CONFIDENTIAL INFORMATION WHICH IS THE PROPERTY OF ALL SEASONS. RECEIPT OR POSSESSION OF REPRODUCTIONS OF THIS DRAWING OR POSSESSION OF REPRODUCTIONS OF THIS DRAWING DOES NOT CONFER ANY RIGHTS OR LICENSE TO USE INFORMATION CONTAINED HEREIN WITHOUT THE WRITTEN CONSENT OF ALL SEASONS.					
DRAWN BY:	T.Jobb	DATE DRAWN:	1/23/14	SHEET SIZE:	A

SHEET NUMBER  
**5**  
 OF  
**7**

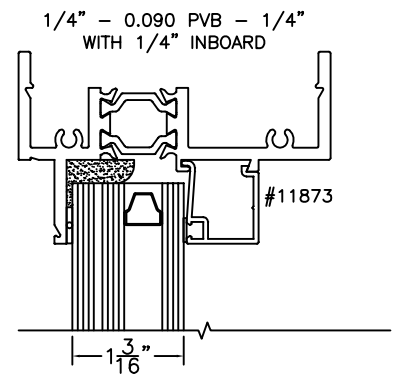
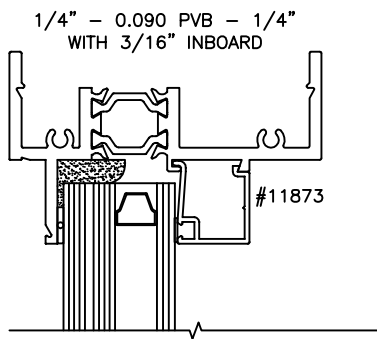
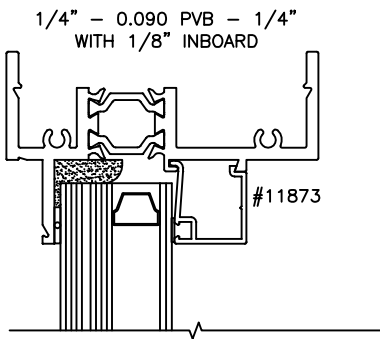
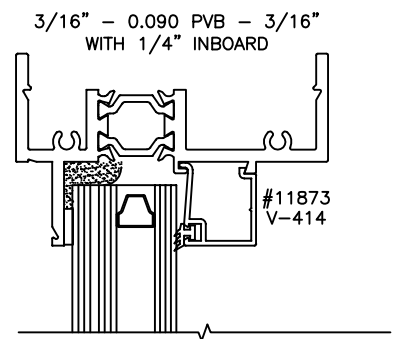
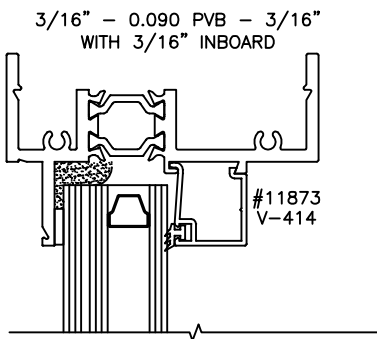
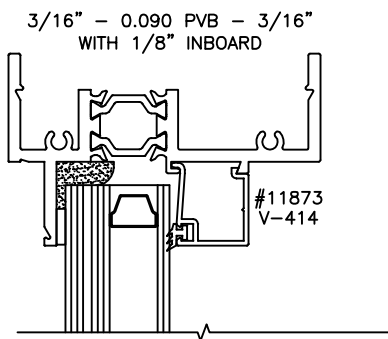
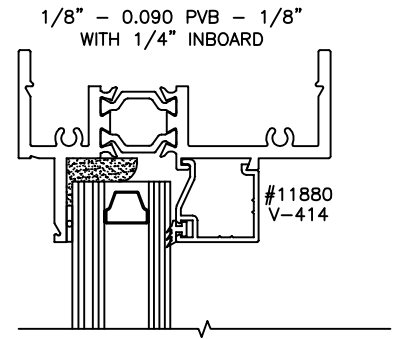
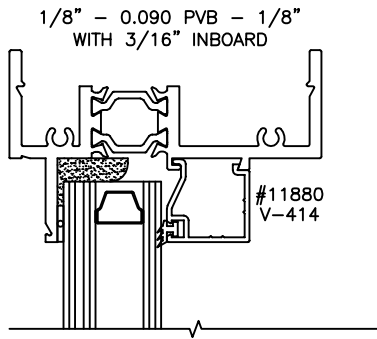
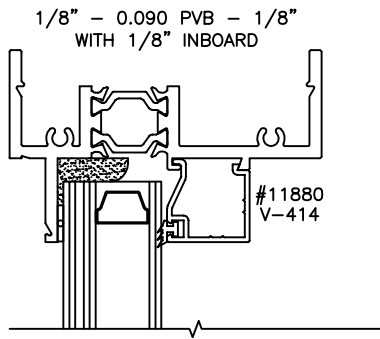


LIFT OUT SPLIT SASH



**ALL SEASONS**  
 ARCHITECTURAL WINDOWS MFG.  
 1293 N. Harvey Mitchell Pkwy.  
 Phone: (979) 823-6557  
 Fax: (979) 823-1005

IMPACT:	YES	COMPATIBLE SERIES:	FAMILY:	E3250	SCALE:	1:2	REVISION:	B	SHEET NUMBER
BLAST:	NO	E3250FF	DESCRIPTION:	E3250 PROJECT OUT NON-IMPACT GLAZING DETAILS					
TDI NO:	WIN-2019	E3250COS	THIS DRAWING CONTAINS CONFIDENTIAL INFORMATION WHICH IS THE PROPERTY OF ALL SEASONS. RECEIPT OR POSSESSION OF REPRODUCTIONS OF THIS DRAWING OR POSSESSION OF REPRODUCTIONS OF THIS DRAWING DOES NOT CONFER ANY RIGHTS OR LICENSE TO USE INFORMATION CONTAINED HEREIN WITHOUT THE WRITTEN CONSENT OF ALL SEASONS.						
FLORIDA NO:	FL17125								
			DRAWN BY:	T.JOBB	DATE DRAWN:	1/23/14	SHEET SIZE:	A	6 OF 7



**ALL SEASONS**  
ARCHITECTURAL WINDOWS MFG.  
1293 N. Harvey Mitchell Pkwy.  
Phone: (979) 823-6557  
Fax: (979) 823-1005

IMPACT:	YES	COMPATIBLE SERIES:	E3250	SCALE:	1:2	REVISION:	B	SHEET NUMBER
BLAST:	NO	E3250FF	DESCRIPTION: E3250 PROJECT OUT LAMINATED GLAZING DETAILS					
TDI NO:	WIN-2019	E3250COS						
FLORIDA NO:								
FL17125			DRAWN BY:	T.JOBB	DATE DRAWN:	1/23/14	SHEET SIZE:	A

7  
OF  
7