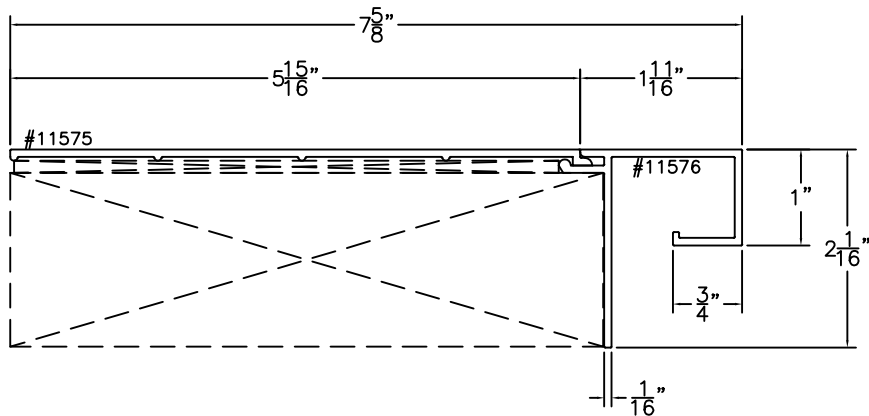
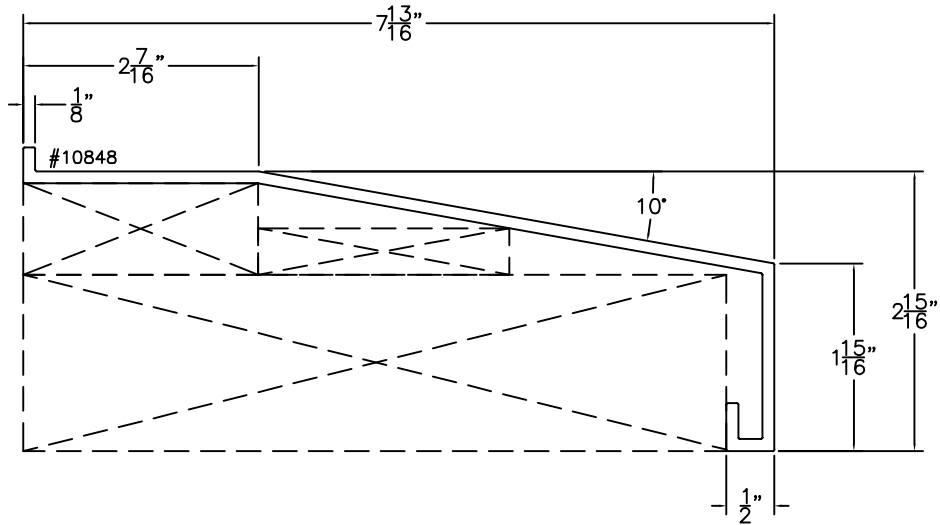



PART NO.	EXTRUSION	MATING COMPONENT	DESCRIPTION	SHEET
E.10848	10848	---	7 $\frac{3}{16}$ " X 2 $\frac{15}{16}$ " INTERIOR STOOL COVER	1 OF 1
E.11575	11575	E.11576	7 $\frac{5}{8}$ " X 2 $\frac{1}{16}$ " INTERIOR STOOL COVER	1 OF 1



 1293 N. Harvey Mitchell Pkwy. Phone: (979) 823-6557 Fax: (979) 823-1005	IMPACT:	NO	COMPATIBLE SERIES:	FAMILY:	ACC	SCALE:	1:2	REVISION:	A	SHEET NUMBER
	BLAST:	NO	MULTI	DESCRIPTION:						
	TDI NO:			STOOL COVERS						
	FLORIDA NO:									
				THIS DRAWING CONTAINS CONFIDENTIAL INFORMATION WHICH IS THE PROPERTY OF ALL SEASONS. RECEIPT OR POSSESSION OF REPRODUCTIONS OF THIS DRAWING OR POSSESSION OF REPRODUCTIONS OF THIS DRAWING DOES NOT CONFER ANY RIGHTS OR LICENSE TO USE INFORMATION CONTAINED HEREIN WITHOUT THE WRITTEN CONSENT OF ALL SEASONS.						
			DRAWN BY:	T.Jobb	DATE DRAWN:	2/19/14	SHEET SIZE:	A		1 OF 1