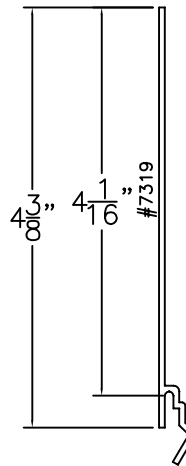
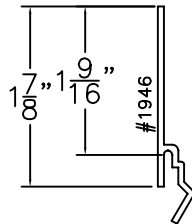
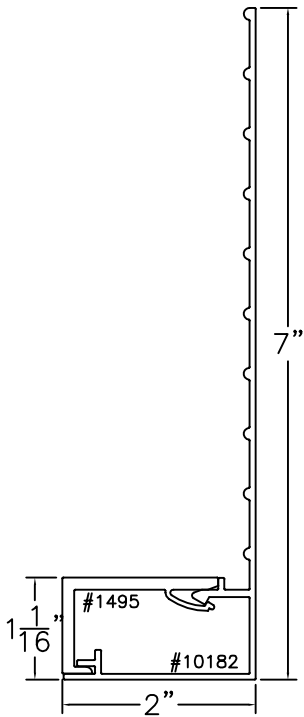
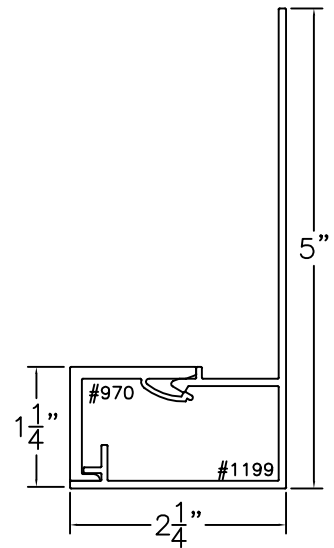
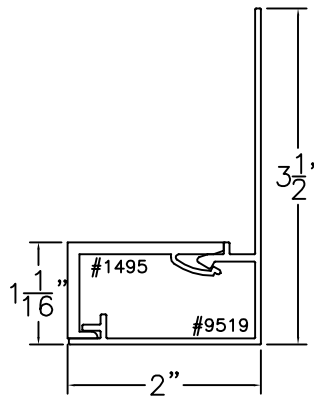
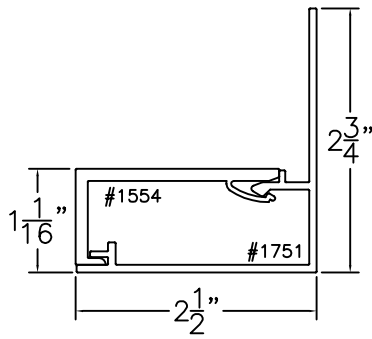
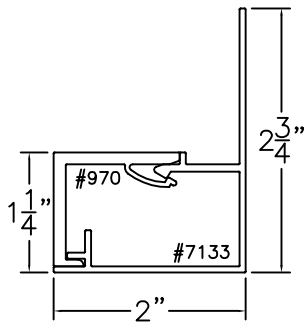


ALL SEASONS
ARCHITECTURAL WINDOWS MFG.

1293 N. Harvey Mitchell Pkwy.
Phone: (979) 823-6557
Fax: (979) 823-1005

IMPACT:	NO	COMPATIBLE SERIES:	FAMILY:	ACC.	SCALE:	1:2	REVISION:	C	SHEET NUMBER
BLAST:	NO		DESCRIPTION:	INTERIOR TRIM AND CLIPS					
TDI NO:									
FLORIDA NO:			THIS DRAWING CONTAINS CONFIDENTIAL INFORMATION WHICH IS THE PROPERTY OF ALL SEASONS. RECEIPT OR POSSESSION OF REPRODUCTIONS OF THIS DRAWING OR POSSESSION OF REPRODUCTIONS OF THIS DRAWING DOES NOT CONFER ANY RIGHTS OR LICENSE TO USE INFORMATION CONTAINED HEREIN WITHOUT THE WRITTEN CONSENT OF ALL SEASONS.						
			DRAWN BY:	T.Jobb	DATE DRAWN:	2/5/14	SHEET SIZE:	A	




ALL SEASONS
 ARCHITECTURAL WINDOWS MFG.
 1293 N. Harvey Mitchell Pkwy.
 Phone: (979) 823-6557
 Fax: (979) 823-1005

IMPACT:	NO	COMPATIBLE SERIES:	FAMILY:	ACC.	SCALE:	1:2	REVISION:	C	SHEET NUMBER	
BLAST:	NO		DESCRIPTION: INTERIOR TRIM AND CLIPS							
TDI NO:										
FLORIDA NO:										
THIS DRAWING CONTAINS CONFIDENTIAL INFORMATION WHICH IS THE PROPERTY OF ALL SEASONS. RECEIPT OR POSSESSION OF REPRODUCTIONS OF THIS DRAWING OR POSSESSION OF REPRODUCTIONS OF THIS DRAWING DOES NOT CONFER ANY RIGHTS OR LICENSE TO USE INFORMATION CONTAINED HEREIN WITHOUT THE WRITTEN CONSENT OF ALL SEASONS.										
DRAWN BY:			T.Jobb		DATE DRAWN:		2/5/14		SHEET SIZE:	A

2
OF
4

PART NO.	EXTRUSION	MATING COMPONENT	DESCRIPTION	SHEET
E12244	12244	970	1 ⁵ / ₈ " X 1 ⁷ / ₈ " DECORATIVE INTERIOR TRIM	1 OF 4
E.12242	12242	970	1 ³ / ₄ " X 1 ⁷ / ₈ " DECORATIVE INTERIOR TRIM	1 OF 4
E.11904	11904	11905	2" X 1 ⁷ / ₈ " INTERIOR TRIM	1 OF 4
E.10969	10969	970	2" X 1 ⁷ / ₈ " FLANGE INTERIOR TRIM	1 OF 4
E.972	972	970	2 ¹ / ₂ " X 1 ⁷ / ₈ " FLANGE INTERIOR TRIM	1 OF 4
E.1654	1654	970	1 ³ / ₈ " X 2 ³ / ₄ " FLANGE INTERIOR TRIM	1 OF 4
E.7133	7133	970	2" X 2 ³ / ₄ " FLANGE INTERIOR TRIM	2 OF 4
E.1751	1751	1554	2 ¹ / ₂ " X 2 ³ / ₄ " FLANGE INTERIOR TRIM	2 OF 4
E.9519	9519	1495	2" X 3 ¹ / ₂ " FLANGE INTERIOR TRIM	2 OF 4
E.1199	1199	970	2 ¹ / ₄ " X 5" FLANGE INTERIOR TRIM	2 OF 4
E.10182	10182	1495	2" X 7" FLANGE INTERIOR TRIM	2 OF 4
E.1946	1946	MULTIPLE	1 ⁹ / ₁₆ " PANNING TRIM / INTERIOR TRIM EXTENDER	2 OF 4
E.7319	7319		4 ¹ / ₁₆ " PANNING TRIM / INTERIOR TRIM EXTENDER	2 OF 4

 <p>1293 N. Harvey Mitchell Pkwy. Phone: (979) 823-6557 Fax: (979) 823-1005</p>	IMPACT: NO	COMPATIBLE SERIES:	FAMILY: ACC.	SCALE: 1:2	REVISION: C	SHEET NUMBER
	BLAST: NO		DESCRIPTION:			
	TDI NO:		INTERIOR TRIM AND CLIPS PARTS LIST			
	FLORIDA NO:		THIS DRAWING CONTAINS CONFIDENTIAL INFORMATION WHICH IS THE PROPERTY OF ALL SEASONS. RECEIPT OR POSSESSION OF REPRODUCTIONS OF THIS DRAWING OR POSSESSION OF REPRODUCTIONS OF THIS DRAWING DOES NOT CONFER ANY RIGHTS OR LICENSE TO USE INFORMATION CONTAINED HEREIN WITHOUT THE WRITTEN CONSENT OF ALL SEASONS.			
			DRAWN BY: T.Jobb	DATE DRAWN: 2/5/14	SHEET SIZE: A	