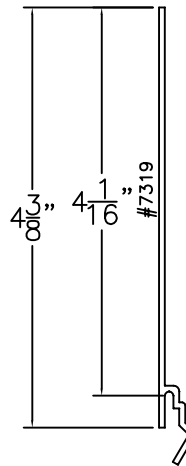
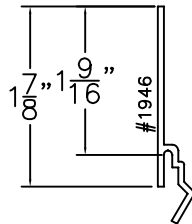
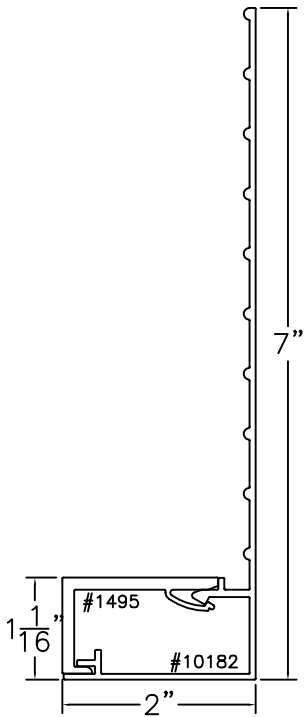
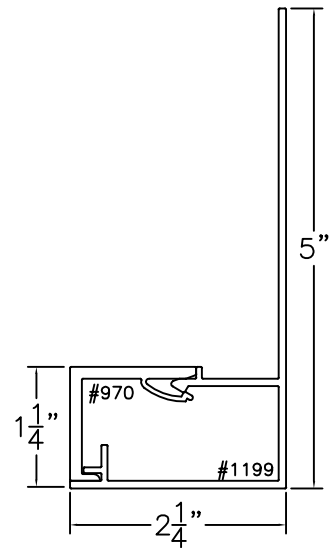
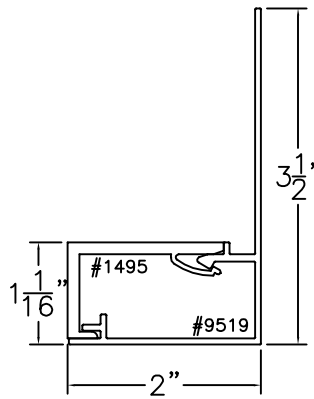
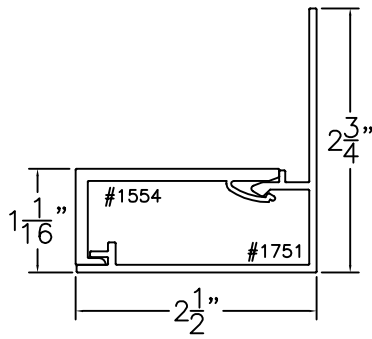
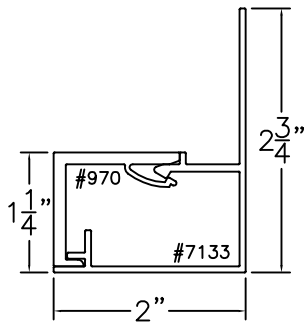


ALL SEASONS
ARCHITECTURAL WINDOWS MFG.

1293 N. Harvey Mitchell Pkwy.
Phone: (979) 823-6557
Fax: (979) 823-1005

IMPACT:	NO	COMPATIBLE SERIES:	FAMILY:	ACC.	SCALE:	1:2	REVISION:	C	SHEET NUMBER
BLAST:	NO		DESCRIPTION:	INTERIOR TRIM AND CLIPS					
TDI NO:									
FLORIDA NO:									
			THIS DRAWING CONTAINS CONFIDENTIAL INFORMATION WHICH IS THE PROPERTY OF ALL SEASONS. RECEIPT OR POSSESSION OF REPRODUCTIONS OF THIS DRAWING OR POSSESSION OF REPRODUCTIONS OF THIS DRAWING DOES NOT CONFER ANY RIGHTS OR LICENSE TO USE INFORMATION CONTAINED HEREIN WITHOUT THE WRITTEN CONSENT OF ALL SEASONS.						
			DRAWN BY:	T.Jobb	DATE DRAWN:	2/5/14	SHEET SIZE:	A	1 OF 4



ALL SEASONS
 ARCHITECTURAL WINDOWS MFG.
 1293 N. Harvey Mitchell Pkwy.
 Phone: (979) 823-6557
 Fax: (979) 823-1005

IMPACT:	NO	COMPATIBLE SERIES:	FAMILY:	ACC.	SCALE:	1:2	REVISION:	C	SHEET NUMBER	
BLAST:	NO		DESCRIPTION: INTERIOR TRIM AND CLIPS							
TDI NO:										
FLORIDA NO:										
THIS DRAWING CONTAINS CONFIDENTIAL INFORMATION WHICH IS THE PROPERTY OF ALL SEASONS. RECEIPT OR POSSESSION OF REPRODUCTIONS OF THIS DRAWING OR POSSESSION OF REPRODUCTIONS OF THIS DRAWING DOES NOT CONFER ANY RIGHTS OR LICENSE TO USE INFORMATION CONTAINED HEREIN WITHOUT THE WRITTEN CONSENT OF ALL SEASONS.										
DRAWN BY:			T.Jobb	DATE DRAWN:		2/5/14	SHEET SIZE:			A

2
OF
4