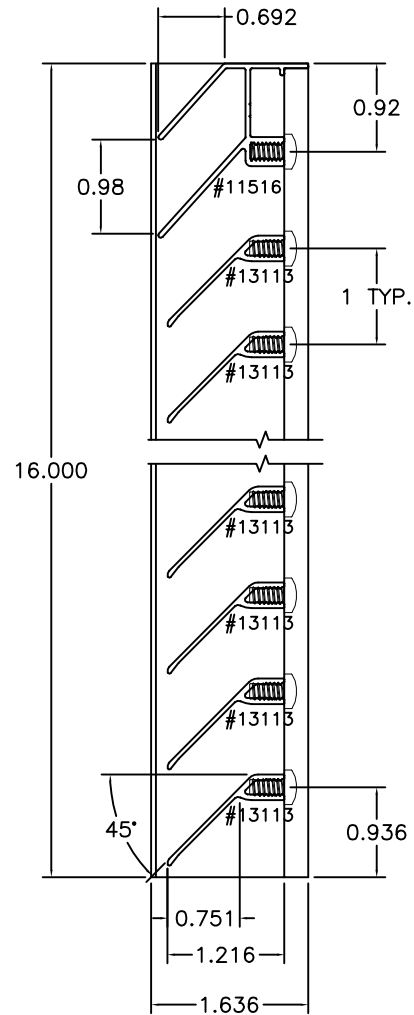
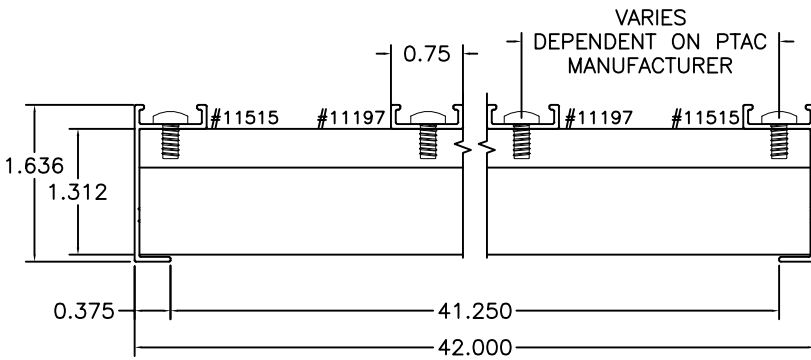
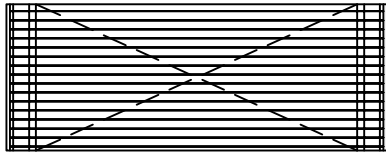


ALL SEASONS
 ARCHITECTURAL WINDOWS MFG.
 1293 N. Harvey Mitchell Pkwy.
 Phone: (979) 823-6557
 Fax: (979) 823-1005

IMPACT:	NO	COMPATIBLE SERIES:	
BLAST:	NO	2000FF	
TDI NO:		3000FF	
FLORIDA NO:		3000HS	

FAMILY:	ACC.	SCALE:	1:2	REVISION:	B
DESCRIPTION:					
LOUVER FRAME WITH BLANK OFF PANEL & HVAC OPENING					
<small>THIS DRAWING CONTAINS CONFIDENTIAL INFORMATION WHICH IS THE PROPERTY OF ALL SEASONS. RECEIPT OR POSSESSION OF REPRODUCTIONS OF THIS DRAWING OR POSSESSION OF REPRODUCTIONS OF THIS DRAWING DOES NOT CONFER ANY RIGHTS OR LICENSE TO USE INFORMATION CONTAINED HEREIN WITHOUT THE WRITTEN CONSENT OF ALL SEASONS.</small>					
DRAWN BY: K.Kernell		DATE DRAWN: 02/17/14		SHEET SIZE: A	

SHEET NUMBER
1
 OF
2



ALL SEASONS
 ARCHITECTURAL WINDOWS MFG.
 1293 N. Harvey Mitchell Pkwy.
 Phone: (979) 823-6557
 Fax: (979) 823-1005

IMPACT:	NO	COMPATIBLE SERIES:	FAMILY:	ACC.	SCALE:	1:2	REVISION:	B	SHEET NUMBER
BLAST:	NO	2000FF	DESCRIPTION: LOUVER FRAME HVAC OPENING						
TDI NO:		3000FF							
FLORIDA NO:		3000HS	THIS DRAWING CONTAINS CONFIDENTIAL INFORMATION WHICH IS THE PROPERTY OF ALL SEASONS. RECEIPT OR POSSESSION OF REPRODUCTIONS OF THIS DRAWING OR POSSESSION OF REPRODUCTIONS OF THIS DRAWING DOES NOT CONFER ANY RIGHTS OR LICENSE TO USE INFORMATION CONTAINED HEREIN WITHOUT THE WRITTEN CONSENT OF ALL SEASONS.						
DRAWN BY: K.Kernell			DATE DRAWN: 02/17/14			SHEET SIZE: A			

2
OF
2