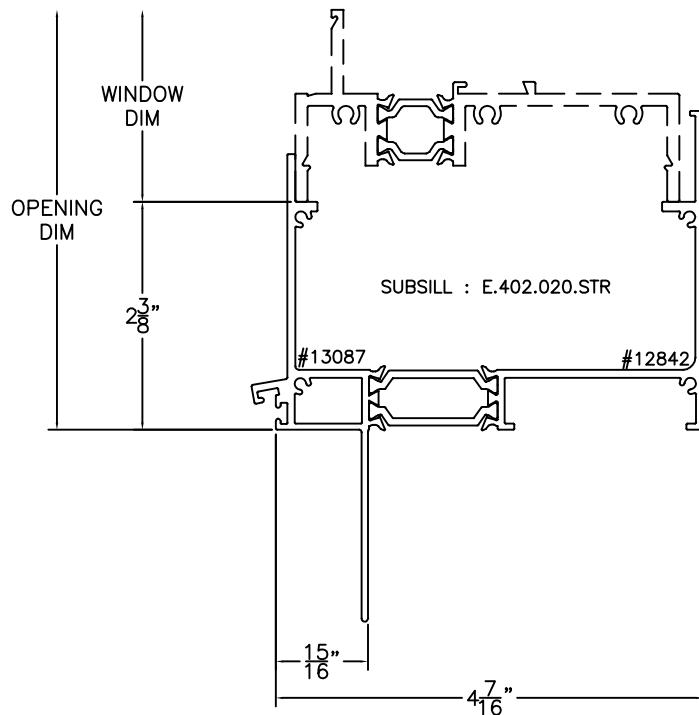
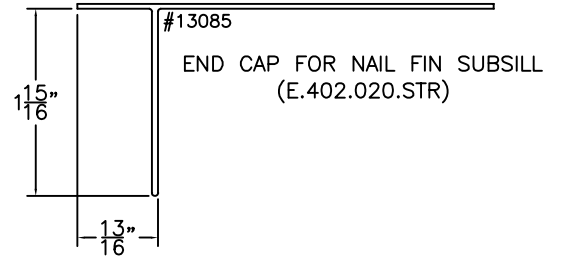
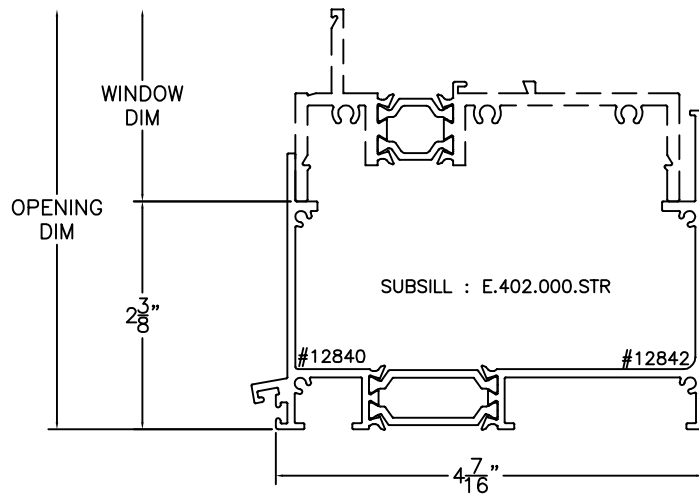



PART NO.	EXTRUSION	MATING COMPONENT	DESCRIPTION	SHEET
E.402.000.STR	E.12840	MULTIPLE	4" FRAME 12.0PSF SUBSILL (4 $\frac{7}{16}$ " DEPTH)	1 OF 1
	E.12842			
E.402.020.STR	E.13087	MULTIPLE	4" FRAME 12.0PSF SUBSILL WITH NAIL FIN (4 $\frac{7}{16}$ " DEPTH)	1 OF 1
	E.12842			



 <p>1293 N. Harvey Mitchell Pkwy. Phone: (979) 823-6557 Fax: (979) 823-1005</p>	IMPACT:	NO	COMPATIBLE SERIES:	FAMILY:	E4000	SCALE:	1:2	REVISION:	C	SHEET NUMBER
	BLAST:	NO	E4000FF	DESCRIPTION: E4000 FAMILY SURROUNDS SUBSILLS - 4" FRAME						
	TDI NO:		E4000PO							
	FLORIDA NO:		E4000COS							
			E4000FO							
DRAWN BY: K.Kernell				DATE DRAWN: 07/25/14		SHEET SIZE: A		1 OF 1		